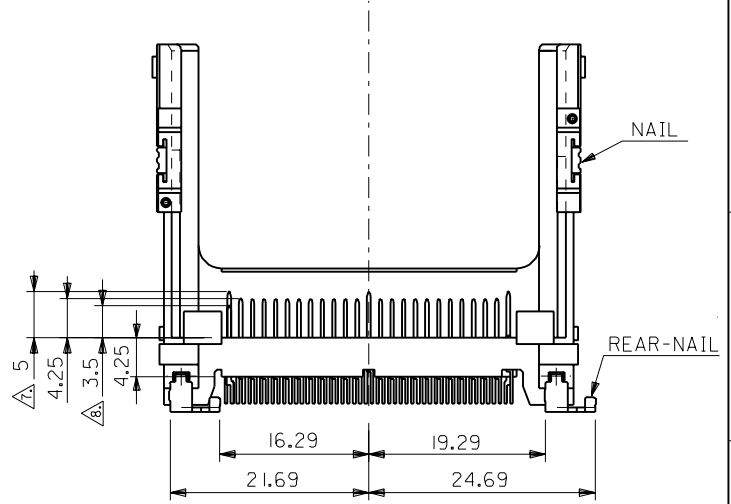
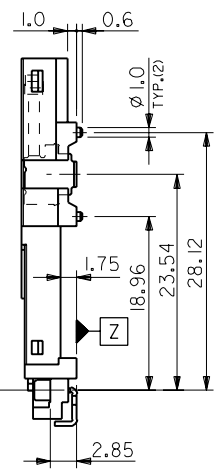
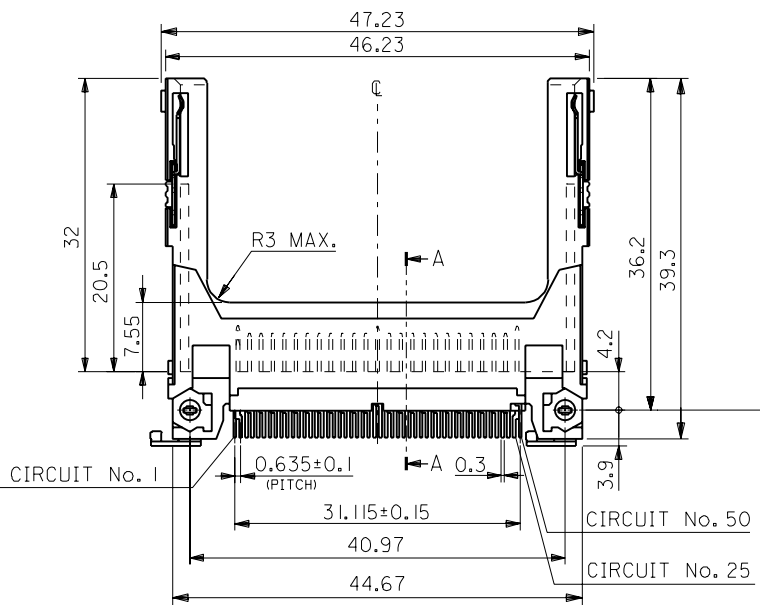
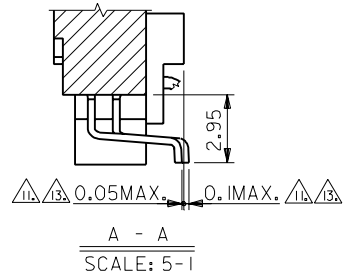
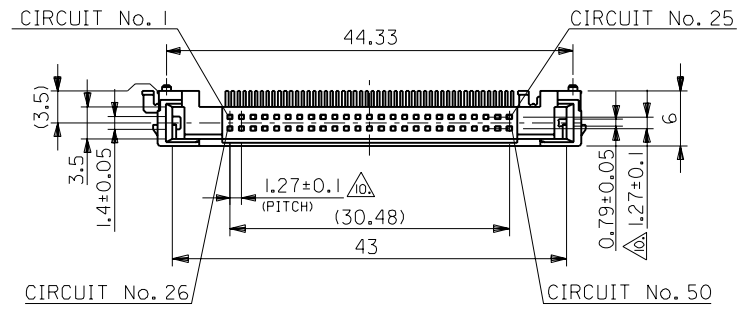


DWG. NO. SD-55359-003

DO NOT SCALE DRAWING



SEMI-HARD TRAY PACKAGE	55359-5026	55359-50**
SOFT TRAY PACKAGE	55359-5021	
PACKING TRAY FORM	MATERIAL No.	MODEL No.

EC NO. DRWN: CHK: APPR:	EC NO. DRWN: CHK: APPR:	EC NO. JD2000-0973 DRWN: YUKOJIMA '00/03/16 CHK: MSASAO '00/03/16 APPR: HIKESUGI '00/03/16	EC NO. JD00137 DRWN: THIRAYAMA '98/07/31 CHK: MSASAO '98/07/31 APPR: HIKESUGI '98/07/31	EC NO. JD90315 DRWN: THIRAYAMA '98/09/01 CHK: MSASAO '98/09/01 APPR: HIKESUGI '98/09/01	REV
		REVISED	REVISED	RELEASED	

MATERIAL 材料	SEE NOTES
FINISH 仕上り	SEE NOTES
WIRE RANGE 適用線径範囲	— # —
INS. RANGE 被覆外径	— # —

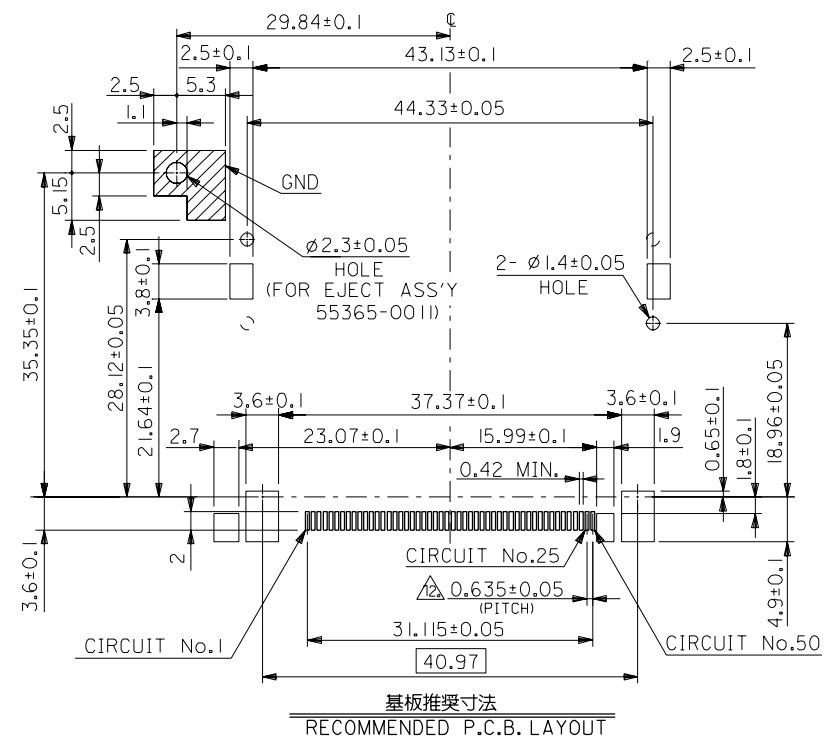
GENERAL TOLERANCES: (UNLESS SPECIFIED) 一般公差	SCALE 2 - 1	DESIGN UNITS <input checked="" type="checkbox"/> mm <input type="checkbox"/> INCH	THIRD ANGLE PROJECTION	DIMENSIONS: <input type="checkbox"/> mm <input type="checkbox"/> INCH <input checked="" type="checkbox"/> mm ONLY	SHT REV
10 UNDER 未満	+0.2	DRAWN BY & DATE <i>T. Kinoshita</i> '98/09/01	TITLE: CF CARD CONN. 50P HEADER ASS'Y (TYPE I/II, REVERSE)	REVISE ON CAD ONLY	
10 OVER 以上	+0.25	CHECKED BY & DATE <i>H. Saito</i> '98/09/01			
30 OVER 以上	+0.3	APPROVED BY & DATE <i>H. Saito</i> '98/09/01			
ANGLE 角度	+3°	CAD FILENAME 55359003.SOI	MATERIAL No. SEE CHART	DRAWING No. SD-55359-003	SHEET NO. 1 OF 2

THIS DRAWING CONTAINS INFORMATION THAT IS PROPRIETARY TO MOLEX INCORPORATED AND SHOULD NOT BE USED WITHOUT WRITTEN PERMISSION.		SIZE B
--	--	-----------

DWG. NO. SD-55359-003

- 注) NOTES
1. 材質 MATERIAL
 ハウジング: ガラス入りLCP UL 94V-0
 HOUSING: LIQUID CRYSTAL POLYMER G.F. UL94V-0
 ピン: リン青銅
 PIN: PHOSPHOR BRONZE
 ネール: リン青銅 (t0.3)
 NAIL: PHOSPHOR BRONZE (t0.3)
 リヤネール: リン青銅 (t0.48)
 REAR-NAIL: PHOSPHOR BRONZE (t0.48)
2. メッキ仕様 PLATING
 ピン 接点部: パラジウムニッケル下地、金メッキ
 CONTACT AREA: GOLD OVER PALLADIUM-NICKEL
 半田付け部: 半田メッキ
 SOLDER TAIL AREA: TIN-LEAD
 下地メッキ: ニッケルメッキ
 UNDERPLATING: NICKEL OVER ALL
 ネール 接点部: 金メッキ
 CONTACT AREA: GOLD
 半田付け部: 半田メッキ
 SOLDER TAIL AREA: TIN-LEAD
 下地メッキ: ニッケルメッキ
 UNDERPLATING: NICKEL OVER ALL
 リヤネール 半田メッキ
 REAR-NAIL TIN-LEAD
 下地メッキ: 銅メッキ
 UNDERPLATING: COPPER OVER ALL
3. 推奨基板厚 RECOMMENDED P.C.B. THICKNESS: t=0.8 MIN.
4. 適合カード厚 RECOMMENDED CARD THICKNESS
 接続部: 3.3±0.1
 CONNECTING AREA: 3.3±0.1
5. 適合カード幅 RECOMMENDED CARD WIDTH: 42.8±0.1
6. ハウジング色: 黒 HOUSING COLOR: BLACK
- △ 寸法適用極: 1,13,38,50
 THIS DIMENSION APPLIES TO CIRCUIT NUMBERS 1,13,38 AND 50.
- △ 寸法適用極: 25,26
 THIS DIMENSION APPLIES TO CIRCUIT NUMBERS 25 AND 26.
- △ ピンの倒れは、ピン根元を基準に全方向へ0.1 MAX.とする。
 PIN TIP LEAN TOWARD ANY DIRECTION NOT TO EXCEED 0.1 WHEN MEASURED FROM PIN BASE.
- △ ピン根元に適用する。
 THIS DIMENSION TO BE MEASURED AT PIN BASE.

- △ ソルダテールは、Z面を基準とし上へ0.05下へ0.1の範囲にあり、且つソルダテールの平坦度は、0.1 MAX.とし、テール先端にて測定する。
 SOLDER TAILS TO BE WITHIN 0.05 UPWARD AND 0.1 DOWNWARD FROM Z-DATUM PLACE, AND COPLANARITY OF SOLDER TAILS TO BE WITHIN 0.1.
 MEASUREMENT POINT IS SOLDER TAILS TIP.
- △ 公差非累積 NON-CUMULATIVE
- △ テールとネール、リヤネールを併せた平坦度は、0.1 MAX.とする。
 TOTAL COPLANARITY OF SOLDER TAILS, NAILS AND REAR-NAILS TO BE 0.1 MAX.



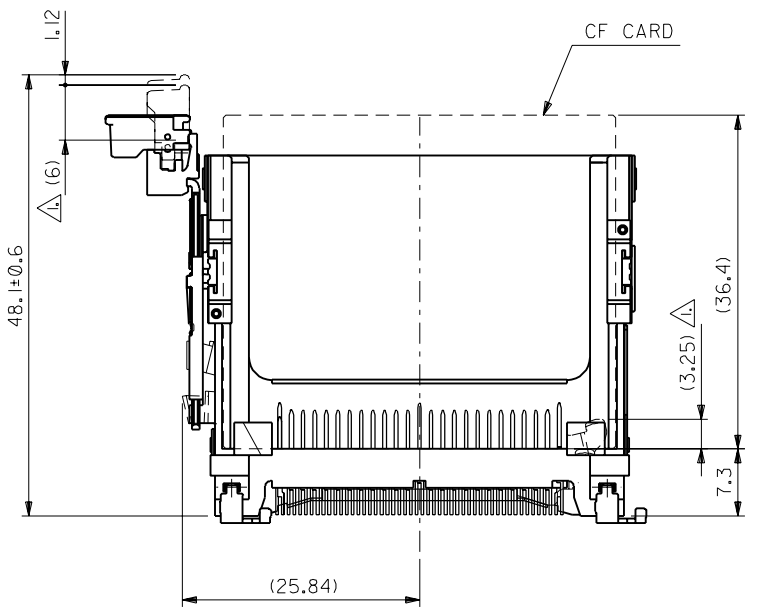
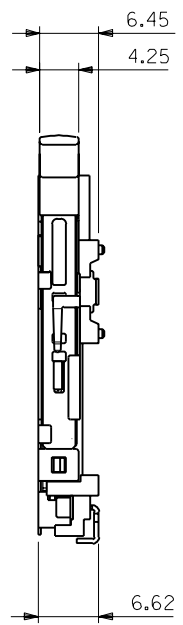
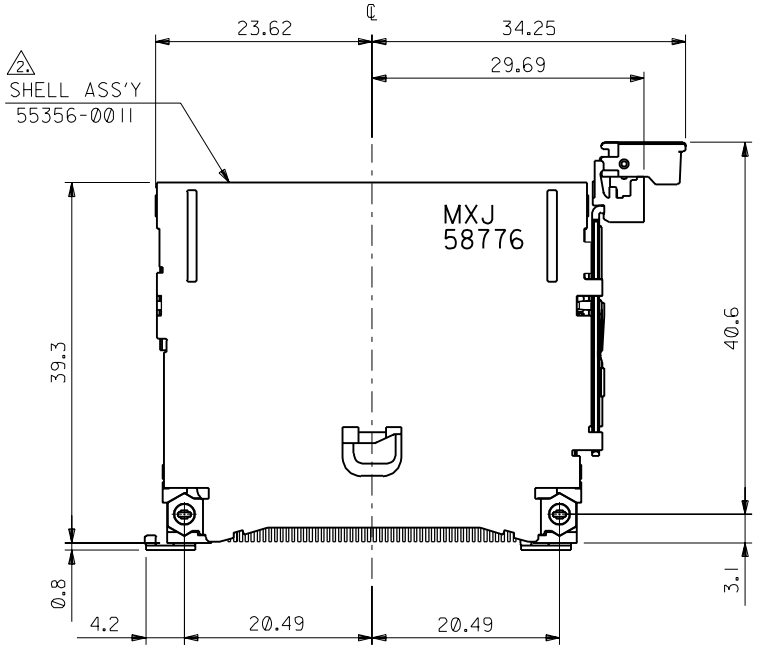
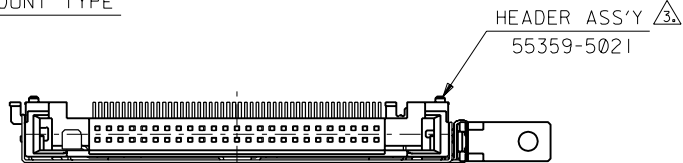
DO NOT SCALE DRAWING

EC NO.		EC NO.		EC NO.		EC NO.		EC NO.		EC NO.		MATERIAL		GENERAL TOLERANCES:		SCALE		DESIGN UNITS		THIRD ANGLE PROJECTION		DIMENSIONS:		SHT		REV			
DRWN:	CHK:	DRWN:	CHK:	DRWN:	CHK:	DRWN:	CHK:	DRWN:	CHK:	DRWN:	CHK:	DRWN:	CHK:	UNLESS SPECIFIED	1	2	mm	INCH	mm	INCH	mm	INCH	mm	INCH	mm	INCH	mm	INCH	
													SEE NOTES	10 UNDER 未滿	±0.2		DRAWN BY & DATE												
												SEE NOTES	10 OVER 以上	±0.25		CHECKED BY & DATE													
												WIRE RANGE 適用範囲線号	30 UNDER 未滿	±0.3		APPROVED BY & DATE													
												INS. RANGE 被覆外径	30 OVER 以上	±0.3		CAD FILENAME													
												ANGLE 角度		±3*		55359003.S02													
THIS DRAWING CONTAINS INFORMATION THAT IS PROPRIETARY TO MOLEX INCORPORATED AND SHOULD NOT BE USED WITHOUT WRITTEN PERMISSION.																		SIZE B											

55359003.S02

DWG. NO. SD-55359-011

REVERSE MOUNT TYPE



DO NOT SCALE DRAWING

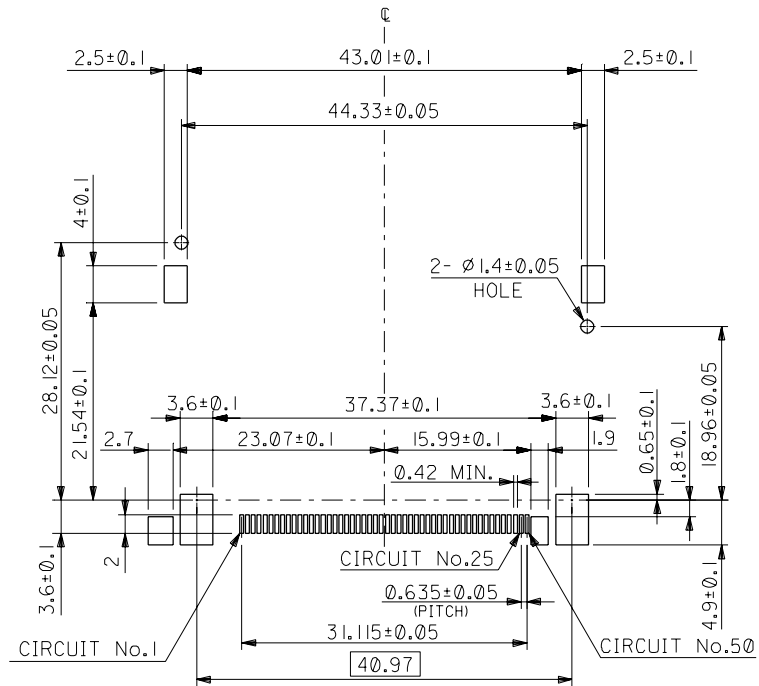
EC NO. DRWN: CHK: APPR:		EC NO. DRWN: CHK: APPR:		EC NO. DRWN: CHK: APPR:		EC NO. DRWN: CHK: APPR:		RELEASED EC NO. JD91625 DRWN: THANY '99/06/16 CHK: MSASAO '99/06/16 APPR: HIKESUGI '99/06/16		MATERIAL 材料		GENERAL TOLERANCES: (UNLESS SPECIFIED) 一般公差		SCALE 2 - 1		DESIGN UNITS <input checked="" type="checkbox"/> mm <input type="checkbox"/> INCH		DIMENSIONS: <input type="checkbox"/> mm <input type="checkbox"/> INCH <input checked="" type="checkbox"/> mm ONLY		SHT REV	
								FINISH 仕上り		WIRE RANGE 適用電線範囲		10 UNDER 未満		±0.2		DRAWN BY & DATE T. Hanaya '99/06/16		TITLE: CF CARD CONN. 50P HEADER ASS'Y & EJECT ASS'Y (55359-5021 & 55356-0011)		REVISE ON CAD ONLY	
								30 OVER 以上		30 UNDER 未満		±0.25		CHECKED BY & DATE H. Saito '99/06/16		APPROVED BY & DATE H. Saito '99/06/16		MOLEX INCORPORATED		SHEET NO. 1 OF 2	
								INS. RANGE 被覆外径		ANGLE 角度		±3°		CAD FILENAME 55359011.S01		MATERIAL NO. 55359-5021		DRAWING NO. SD-55359-011		SIZE B	
THIS DRAWING CONTAINS INFORMATION THAT IS PROPRIETARY TO MOLEX INCORPORATED AND SHOULD NOT BE USED WITHOUT WRITTEN PERMISSION.															EN-02J(097) MXJ-54						

F E D C B A

DWG. NO. SD-55359-011

注)
NOTES

- 1. ボタンストロークが (6 mm)の時、カード飛び出し量は、(3.25mm)
WHEN BUTTON PUSH STROKE IS (6 mm),CARD OUT BY (3.25mm).
- 2. 詳細は、SD-55356-002 参照
SEE SD-55356-002
- 3. 詳細は、SD-55359-003 参照
SEE SD-55359-003



基板推奨寸法
RECOMMENDED P.C.B. LAYOUT

DO NOT SCALE DRAWING

EC NO. DRWN: CHK: APPR:	EC NO. DRWN: CHK: APPR:	EC NO. DRWN: CHK: APPR:	EC NO. DRWN: CHK: APPR:	EC NO. DRWN: CHK: APPR:	EC NO. DRWN: CHK: APPR:	REV	DESCRIPTION	MATERIAL 材料	GENERAL TOLERANCES: (UNLESS SPECIFIED) 一般公差	SCALE 2 - 1	DESIGN UNITS <input checked="" type="checkbox"/> mm <input type="checkbox"/> INCH	THIRD ANGLE PROJECTION	DIMENSIONS: <input type="checkbox"/> mm <input type="checkbox"/> INCH <input checked="" type="checkbox"/> mm ONLY	SHT	REV
					0		SEE NOTES	SEE NOTES	10 UNDER 未滿	±0.2	DRAWN BY & DATE <i>T. Hanaya</i> '99/06/16	TITLE: CF CARD CONN. 50P HEADER ASS'Y & EJECT ASS'Y (55359-5021 & 55356-0011)			
							FINISH 仕上り	SEE NOTES	10 OVER 以上	±0.25	CHECKED BY & DATE <i>H. Saito</i> '99/06/16				
							WIRE RANGE 適用線径範囲	#	30 OVER 以上	±0.3	APPROVED BY & DATE <i>H. Saito</i> '99/06/16		MOLEX INCORPORATED		
							INS. RANGE 被覆外径	#	ANGLE 角度	±3°	CAD FILENAME 55359011.S02	MATERIAL NO. 55359-5021	DRAWING NO. SD-55359-011	SHEET NO. 2	
THIS DRAWING CONTAINS INFORMATION THAT IS PROPRIETARY TO MOLEX INCORPORATED AND SHOULD NOT BE USED WITHOUT WRITTEN PERMISSION.													SIZE B		

DWG. NO. SD-55365-003

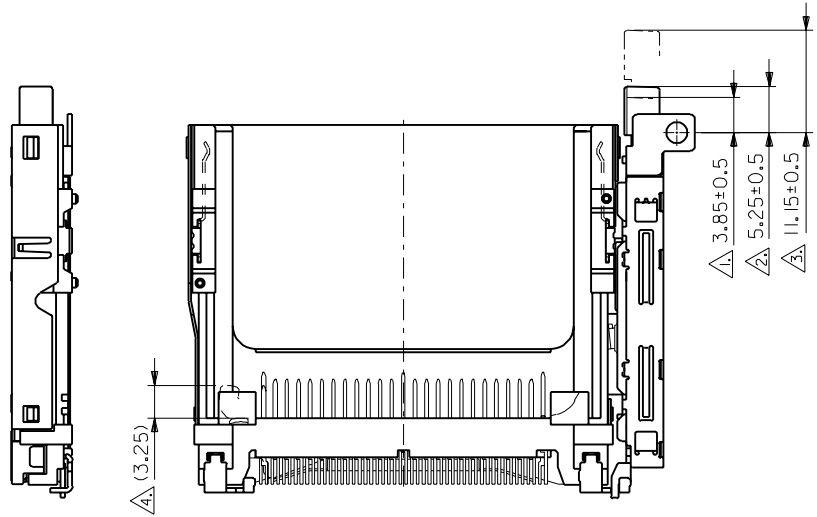
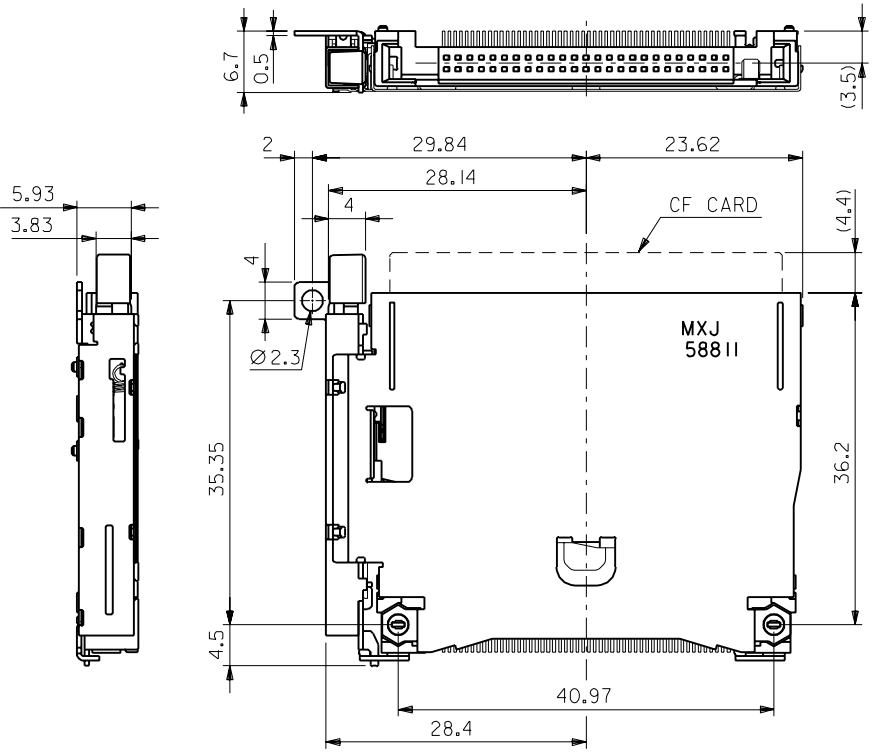
F

D

C

B

DO NOT SCALE DRAWING



- 注) NOTES
- △ ボタン・フルストローク位置。
BUTTON'S FULL STROKE POSITION.
 - △ ボタン収納時位置。
BUTTON'S IN POSITION.
 - △ ボタン突出時位置。
BUTTON'S OUT POSITION.
 - △ イジェクト時、カード飛び出し量は(3.25)mm。
IN EJECTING OPERATION, CARD OUT BY (3.25)mm.

EJECT ASS'Y	55365-0011
HEADER ASS'Y	55359-5021

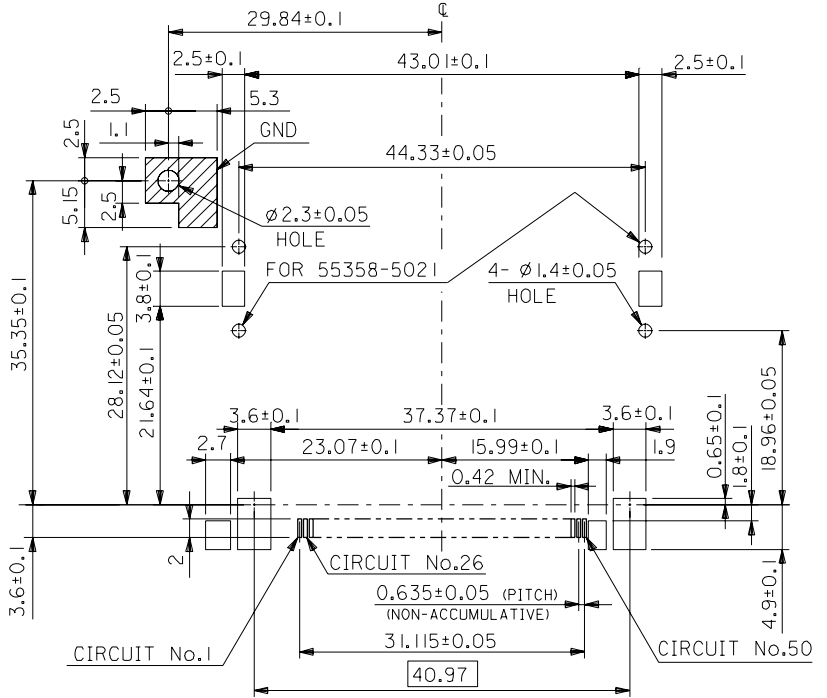
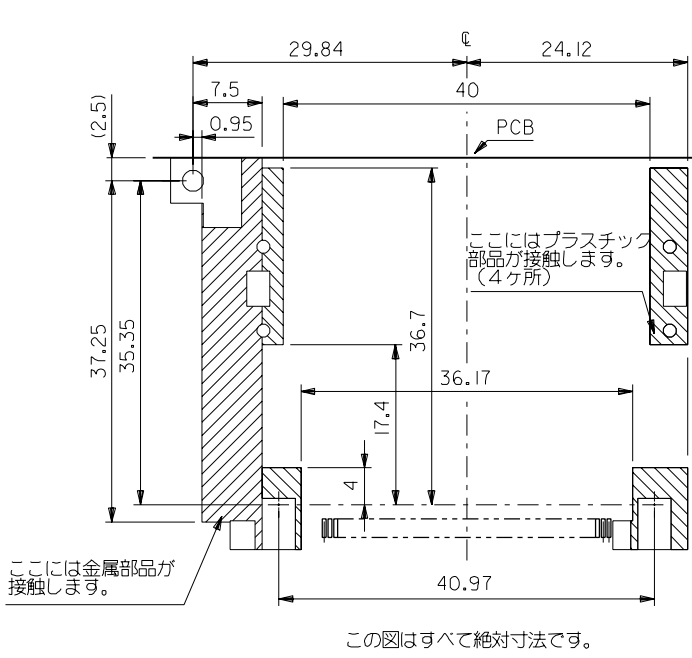
MATERIAL No.

DIMENSIONS:		SHT	REV
<input type="checkbox"/> mm	<input type="checkbox"/> INCH	<input checked="" type="checkbox"/> mm ONLY	REVISE ON CAD ONLY

EC NO. DRWN: CHK: APPR:	EC NO. DRWN: CHK: APPR:	EC NO. DRWN: CHK: APPR:	REVISED EC NO. JD00137 DRWN: THIRATA '99/07/31 CHK: MSASAO '99/07/31 APPR: HIKESUGI '99/07/31	RELEASED EC NO. JD90360 DRWN: THIRATA '98/09/08 CHK: MSASAO '98/09/08 APPR: HIKESUGI '98/09/08	MATERIAL 材料	FINISH 仕上り	WIRE RANGE 適用線径範囲	INS. RANGE 被覆外径
			A	O	#	#	#	#

GENERAL TOLERANCES: (UNLESS SPECIFIED) 一般公差	SCALE 2 - 1	DESIGN UNITS <input checked="" type="checkbox"/> mm <input type="checkbox"/> INCH	THIRD ANGLE PROJECTION
10 UNDER 未満	+0.2	DRAWN BY & DATE <i>T. Hirata</i> '98/09/08	TITLE: CF CARD CONN. EJECT MECHANISM (TYPE I/II, REVERSE)
10 OVER 以上	30 UNDER 未満	+0.25	CHECKED BY & DATE <i>H. Saito</i> '98/09/08
30 OVER 以上	+0.3	APPROVED BY & DATE <i>H. Saito</i> '98/09/08	MATERIAL NO. SEE TABLE
ANGLE 角度	+3°	CAD FILENAME 55365003.S01	DRAWING NO. SD-55365-003

THIS DRAWING CONTAINS INFORMATION THAT IS PROPRIETARY TO MOLEX INCORPORATED AND SHOULD NOT BE USED WITHOUT WRITTEN PERMISSION.		SHEET NO. 1 OF 3	SIZE B
--	--	---------------------	-----------



この図はすべて絶対寸法です。

基板推奨寸法
RECOMMENDED P.C.B. LAYOUT

DO NOT SCALE DRAWING

EC NO. DRWN: CHK: APPR:	EC NO. DRWN: CHK: APPR:	EC NO. DRWN: CHK: APPR:	EC NO. DRWN: CHK: APPR:	EC NO. DRWN: CHK: APPR:	EC NO. DRWN: CHK: APPR:
A					0
REV					DESCRIPTION
					MATERIAL 材料
					FINISH 仕上り
					WIRE RANGE 通孔用線径
					INS. RANGE 被覆外径

GENERAL TOLERANCES: (UNLESS SPECIFIED) 一般公差		SCALE	DESIGN UNITS	DIMENSIONS:		SHT	REV
10 UNDER 未満	+0.2	2 - 1	<input checked="" type="checkbox"/> mm <input type="checkbox"/> INCH	<input type="checkbox"/> mm <input type="checkbox"/> INCH	<input checked="" type="checkbox"/> mm ONLY		REVISE ON CAD ONLY
10 OVER 以上	+0.25						
30 UNDER 未満							
30 OVER 以上	+0.3						
ANGLE 角度	+3°						

DRAWN BY & DATE <i>T. Kizata</i> '98/09/08	TITLE:
CHECKED BY & DATE <i>H. Saito</i> '98/09/08	CF CARD CONN. EJECT MECHANISM (TYPE I/II, REVERSE)
APPROVED BY & DATE <i>H. Saito</i> '98/09/08	MOLEX INCORPORATED
CAD FILENAME 55365003.S02	MATERIAL NO. DRAWING NO. SD-55365-003
THIS DRAWING CONTAINS INFORMATION THAT IS PROPRIETARY TO MOLEX INCORPORATED AND SHOULD NOT BE USED WITHOUT WRITTEN PERMISSION.	

SHEET NO. 2		SIZE B
EN-02J(097) MXJ-54		

55365003.S02

DWG. NO. SD-55365-003

F

D

C

B

DO NOT SCALE DRAWING

8 7 6 5 4 3 2 1

F

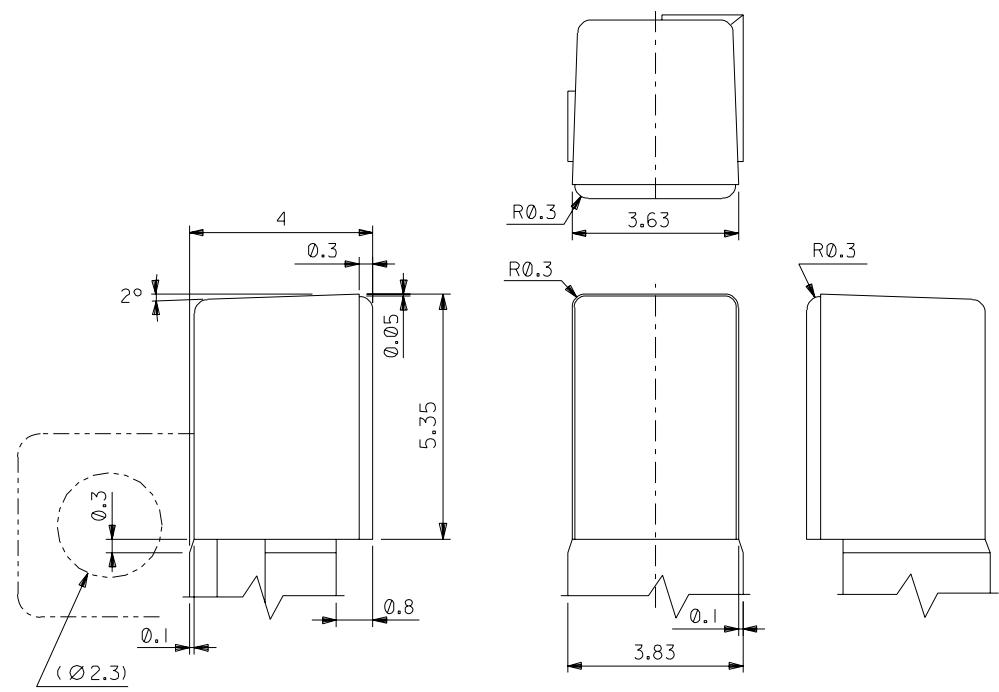
E

D

C

B

A



ボタン詳細寸法
DETAIL OF BUTTON

EC NO. DRWN: CHK: APPR:	EC NO. DRWN: CHK: APPR:	EC NO. DRWN: CHK: APPR:	EC NO. DRWN: CHK: APPR:	EC NO. DRWN: CHK: APPR:	EC NO. DRWN: CHK: APPR: SEE SHEET 1 OF 3	REV	MATERIAL 材料	— # —	GENERAL TOLERANCES: (UNLESS SPECIFIED) — 般 公 差	SCALE	10-1	DESIGN UNITS	<input checked="" type="checkbox"/> mm <input type="checkbox"/> INCH	THIRD ANGLE PROJECTION	<input checked="" type="checkbox"/> mm ONLY	DIMENSIONS:	<input type="checkbox"/> mm <input type="checkbox"/> INCH	<input checked="" type="checkbox"/> mm ONLY	SHT	REV	
							FINISH 仕上り	— # —		10 UNDER 未満	±0.2	DRAWN BY & DATE	T. Kitano '98/09/08	TITLE:	CF CARD CONN. EJECT MECHANISM (TYPE I/II, REVERSE)	REVISION ON CAD ONLY					
							WIRE RANGE 適用電線範囲	— # —		10 OVER 以上	±0.25	CHECKED BY & DATE	H. Saito '98/09/08	APPROVED BY & DATE	<i>[Signature]</i> '98/09/08	MATERIAL NO.	— # —	DRAWING NO.	SD-55365-003	SHEET NO.	3
							INS. RANGE 被覆外径	— # —		30 OVER 以上	±0.3	CAD FILENAME	55365003.S03	MATERIAL NO.	— # —	DRAWING NO.	SD-55365-003	SHEET NO.	3	SIZE	B
									ANGLE 角度	±3°	THIS DRAWING CONTAINS INFORMATION THAT IS PROPRIETARY TO MOLEX INCORPORATED AND SHOULD NOT BE USED WITHOUT WRITTEN PERMISSION.										

8 7 6 5 4 3 2 1

EN-02J(097) MXJ-54