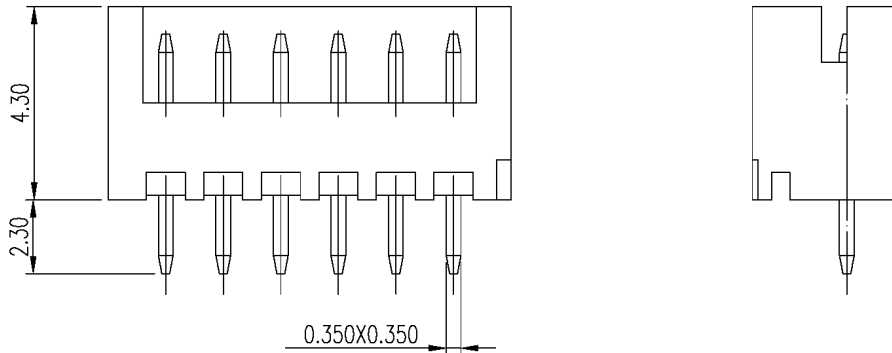
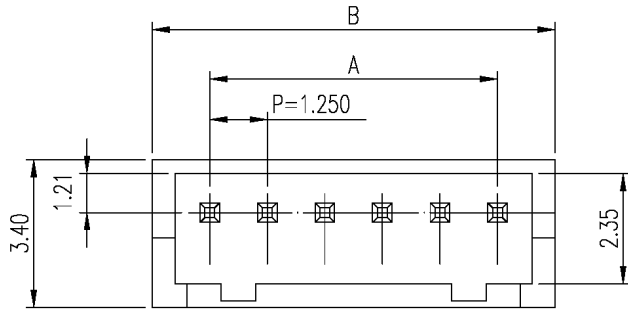


**SPECIFICATIONS**

Current Rating: 1A  
 Voltage Rating: 100V AC, DC  
 Withstanding: 800V AC/min.  
 Insulation Resistance: 1,000M Ohm min  
 Temperature Range: -25 ~ 85°C  
 P.C.B. Thickness: 0.8mm  
 P.C.B. Hole:  $\varnothing 0.5\text{mm} \pm 0.05$   
 Material: Post: Brass, Tin/Plated  
 Base: Nylon 66, UL94V-0  
 Pitch: 1.25mm (.049")  
 Poles: 2~15



Dimensions		
Circuits	A	B
2	1.25	4.15
3	2.50	5.40
4	3.75	6.65
5	5.00	7.90
6	6.25	9.15
7	7.50	10.40
8	8.75	11.65
9	10.00	12.90
10	11.25	14.15
11	12.50	15.40
12	13.75	16.65
13	15.00	17.90
14	16.25	19.15
15	17.50	20.40

Series	Type	Positions	Mounting	Finish
JS-W	1255	XX	XX	XX
Pluggable Connector	1.25mm Pitch	02-15 See Chart	ST=Straight RA=Right Angle	TN=Tin GD=Gold

**RoHS compliant**

Rev.	Description	Date	Approved	Drawing	Name	Date
A	TBL, PN	6/02/08	Greg	Approved	Howard	04/16/08
				Checked	Lizzy	04/16/08
				Drawn	Tina	04/16/08

**Central Components Manufacturing**  
 440 Lincoln Blvd., Middlesex, New Jersey 08846  
 Phone 732 469-5720 888 288-5152 Fax 732 469-1919

Part No.: **JS-W-1255-06-ST-XX**

				0.0 ± 0.35	0.00 ± 0.20	Angles ± 3'
				UNIT: mm		

Description: 1.25mm (.049") Wafer Straight