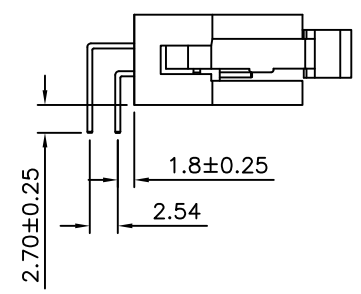
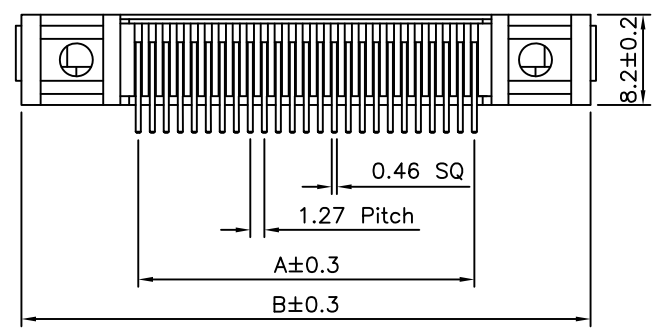
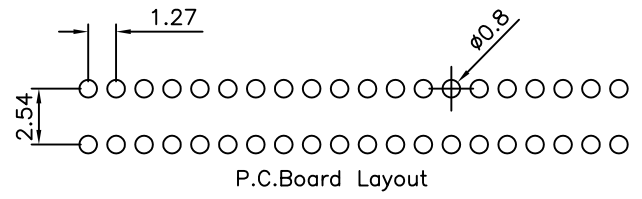
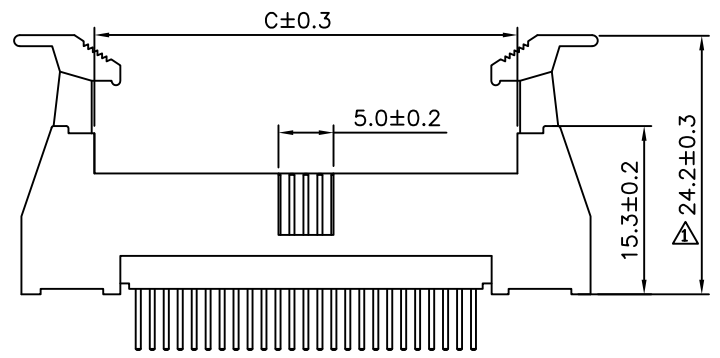


SPECIFICATIONS
 Insulator: PBT
 Contact: Brass, Gold Plated Over Nickel



△ Pin	A	B	C
10	5.08	26.15	12.86
16	8.89	29.96	16.67
20	11.43	32.50	19.21
26	15.24	36.31	23.02
30	17.78	38.85	25.56
32	19.05	40.12	26.83
34	20.32	41.39	28.10
40	24.13	45.20	31.91
44	26.67	47.74	34.45
50	30.48	51.55	38.26
52	31.75	52.82	39.53
60	36.83	57.90	44.61
68	41.91	62.98	49.69
70	43.18	64.25	50.96
80	49.53	70.60	57.31
100	62.23	83.30	70.01

AUK A MEMBER OF AUK GROUP
太聯事業股份有限公司
AUK CONTRACTORS CO., LTD.

CATEGORY		APPROVED BY		UNLESS OTHERWISE SPECIFIED TOLERANCES ARE .X ±0.38 .XX ±0.25 ANG.
PART No. HLRXXXR2		MEI		
DRAWING No. HLRXXXR2		SHIN		
SCALE NONE		HZF		
REV.	A1	UNIT mm		

△ A1	Modify Data	INGRID	10/30/2007
△ A0	NEW RELEASE	SHIN	01/13/2007
NO. REV.	REVISIONS	CHK	DATE