

LED LAMP

RESISTOR LAMPS

Features:

- Plastic case, colored diffuse
- Standard T1 & T1 3/4
- 1.0 inch leads
- For DC and Pulse operation
- With current limiting resistor for 5V and 12V
- TTL & C-MOS compatible

Emitted Color	Peak Wave Length λ P (nm)	Lens Appearance	Part No. (T1)	Luminous Intensity (mcd)	Operating Voltage (V)	Part No. (T1 3/4)	Luminous Intensity (mcd)	Operating Voltage (V)
Red	655	Red Diffused	BR-B1131-05	1.0	5	BR-B1134-05	1.2	5
			BR-B1131-12	1.0	12	BR-B1134-12	1.2	12
Bright Red	700	Red Diffused	BR-B5131-05	2.0	5	BR-B5134-05	2.0	5
			BR-B5131-12	2.0	12	BR-B5134-12	2.0	12
Hi-Eff Red	635	Red Diffused	BR-B4131R-05	4.5	5	BR-B4134R-05	8.0	5
			BR-B4131R-12	4.5	12	BR-B4134R-12	8.0	12
Green	568	Green Diffused	BR-B2131-05	4.5	5	BR-B2134-05	8.0	5
			BR-B2131-12	4.5	12	BR-B2134-12	8.0	12
Yellow	585	Yellow Diffused	BR-B3131-15	4.0	5	BR-B3134-05	6.0	5
			BR-B3131-12	4.0	12	BR-B3134-12	6.0	12
Orange	635	Orange Diffused	BR-B4131-05	4.5	5	BR-B4134-05	8.0	5
			BR-B4131-12	4.5	12	BR-B4134-12	8.0	12

ABSOLUTE MAXIMUM RATINGS:

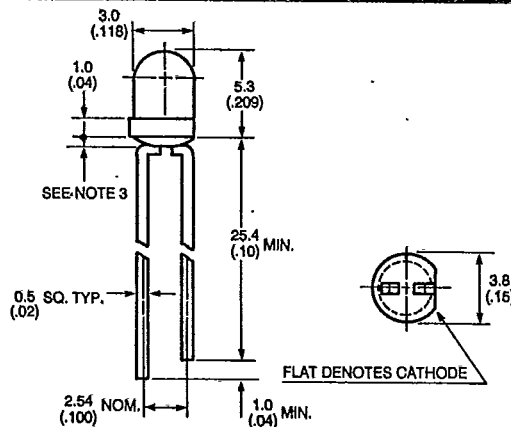
Operating Temperature Range	-20°C ~ 85°C
Storage Temperature Range	-30°C ~ 95°C
Lead Soldering Temperature (1/16 Inch from case)	5 sec @ 250°C
Operating Voltage	7.5 V DC for BR-BXXXX-05 15 V DC for BR-BXXXX-12

PACKAGE DIMENSIONS

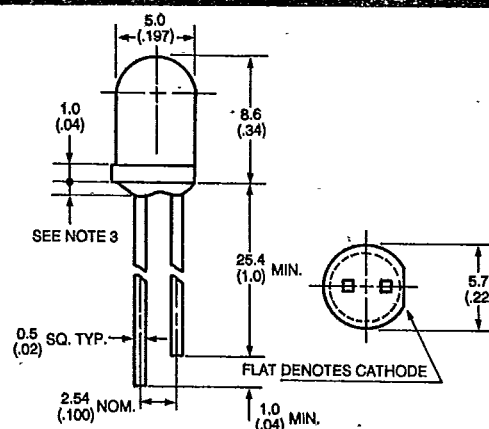
NOTES:

1. All Dimensions are in millimeters (inches).
2. Tolerance is $\pm 0.25\text{mm}$ ($.010''$) unless otherwise specified.
3. Protuded resin under flange is 1.5mm (.059") max.
4. Lead spacing is measured where the leads emerge from the package.
5. Specifications are subject to change without notice.

BR-Bxx31-xx Series



BR-Bxx34-xx Series



L E D L A M P

LAMP/HOLDER ASSEMBLY

● MODEL NO. & SELECTION GUIDE:

BL-Cxx/xR + xG + xY

Number of lamps & color combination
(From left to right as drawing)

Holder No.

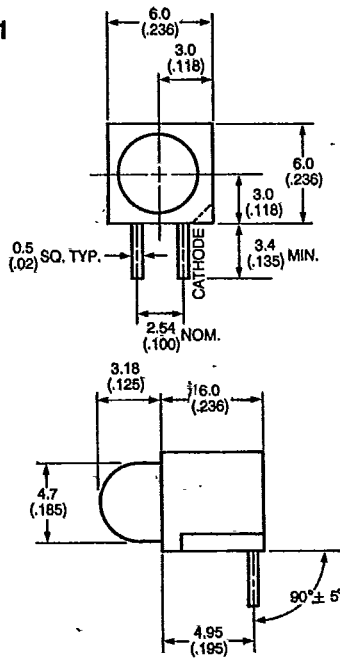
- R: 655 nm Red
- H: 700 nm Bright Red
- I: 635 nm Hi-Eff Red
- G: 568 nm Green
- Y: 585 nm Yellow
- E: 635 nm Orange
- S: 660 nm Super Red

PACKAGE DIMENSIONS

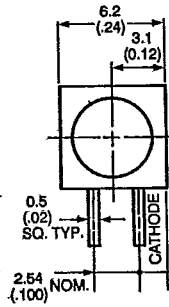
NOTES:

1. All Dimensions are in millimeters (inches).
2. Tolerance is ± 0.50 mm (.020") unless otherwise specified.
3. Protruded resin under flange is 1.5mm (.059") max.
4. Lead spacing is measured where the leads emerge from the package
5. Specifications are subject to change without notice

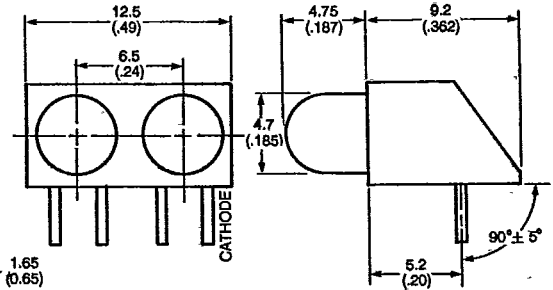
C61



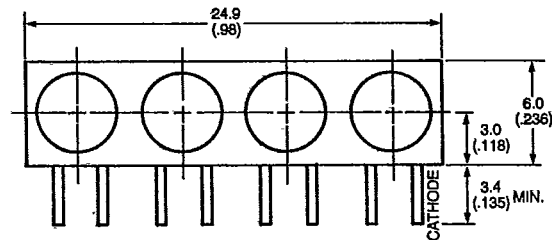
C41



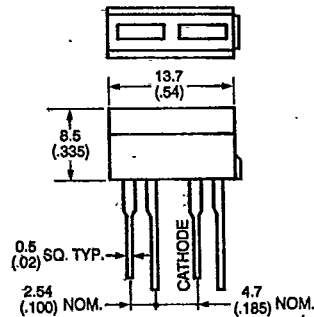
C42



C44



C52



C55

