

103653-2 ✓ ACTIVE

AMPMODU | AMPMODU MTE

TE Internal #: 103653-2

Housing, Plug, Wire-to-Board, 3 Position, .1 in [2.54 mm]

Centerline, Crimp / Insulation Displacement (IDC), 1 Row, Black,

AMPMODU MTE

[View on TE.com >](#)



Connectors > PCB Connectors > Wire-to-Board Connectors > Wire-to-Board Connector Assemblies & Housings



Connector Product Type: **Housing**

Connector & Housing Type: **Plug**

Connector System: **Wire-to-Board**

Number of Positions: **3**

Centerline (Pitch): **2.54 mm [.1 in]**

Features

Product Type Features

Connector Product Type	Housing
Connector & Housing Type	Plug
Connector System	Wire-to-Board
Sealable	No
Connector & Contact Terminates To	Wire & Cable

Configuration Features

Number of Positions	3
Number of Rows	1

Electrical Characteristics

Dielectric Withstanding Voltage (Max)	600 VACrms
Operating Voltage	250 VAC

Body Features

Primary Product Color	Black
-----------------------	-------



Contact Features

Contact Layout	Inline
Contact Type	Pin
Contact Base Material	Phosphor Bronze
Contact Current Rating (Max)	3 A

Termination Features

Termination Method to Wire & Cable	Crimp, Insulation Displacement (IDC)
------------------------------------	--------------------------------------

Mechanical Attachment

Mating Retention Type	Detent Latching
Mating Retention	With
Connector Mounting Type	Cable Mount (Free-Hanging)

Housing Features

Housing Material	Thermoplastic
Centerline (Pitch)	2.54 mm[.1 in]

Dimensions

Connector Length	10.03 mm[.39 in]
Connector Height	6.6 mm[.26 in]
Row-to-Row Spacing	2.54 mm[.1 in]

Usage Conditions

Operating Temperature Range	-65 – 105 °C[-85 – 221 °F]
-----------------------------	----------------------------

Operation/Application

Circuit Application	Signal
---------------------	--------

Industry Standards

Glow Wire Rating	Standard Part - Not Glow Wire
UL Flammability Rating	UL 94V-0

Packaging Features

Packaging Quantity	1
Packaging Method	Package

Product Compliance

[For compliance documentation, visit the product page on TE.com>](#)



EU RoHS Directive 2011/65/EU	Compliant
EU ELV Directive 2000/53/EC	Compliant
China RoHS 2 Directive MIIT Order No 32, 2016	No Restricted Materials Above Threshold
EU REACH Regulation (EC) No. 1907/2006	Current ECHA Candidate List: JUNE 2023 (235) Candidate List Declared Against: JUNE 2023 (235) Does not contain REACH SVHC
Halogen Content	Not Low Halogen - contains Br or Cl > 900 ppm.
Solder Process Capability	Not applicable for solder process capability

Product Compliance Disclaimer

This information is provided based on reasonable inquiry of our suppliers and represents our current actual knowledge based on the information they provided. This information is subject to change. The part numbers that TE has identified as EU RoHS compliant have a maximum concentration of 0.1% by weight in homogenous materials for lead, hexavalent chromium, mercury, PBB, PBDE, DBP, BBP, DEHP, DIBP, and 0.01% for cadmium, or qualify for an exemption to these limits as defined in the Annexes of Directive 2011/65/EU (RoHS2). Finished electrical and electronic equipment products will be CE marked as required by Directive 2011/65/EU. Components may not be CE marked. Additionally, the part numbers that TE has identified as EU ELV compliant have a maximum concentration of 0.1% by weight in homogenous materials for lead, hexavalent chromium, and mercury, and 0.01% for cadmium, or qualify for an exemption to these limits as defined in the Annexes of Directive 2000/53/EC (ELV). Regarding the REACH Regulation, the information TE provides on SVHC in articles for this part number is based on the latest European Chemicals Agency (ECHA) 'Guidance on requirements for substances in articles' posted at this URL: <https://echa.europa.eu/guidance-documents/guidance-on-reach>

Compatible Parts



TE Part # 104257-2
03 MTE RCPT HSG SR LATCH .100



TE Part # 5-104506-4
MTE PIN 28-32 AWG PLTD



TE Part # 5-104505-4
MTE PIN 22-26 AWG PLTD



TE Part # 5-104505-2
MTE PIN 22-26 AWG PLTD

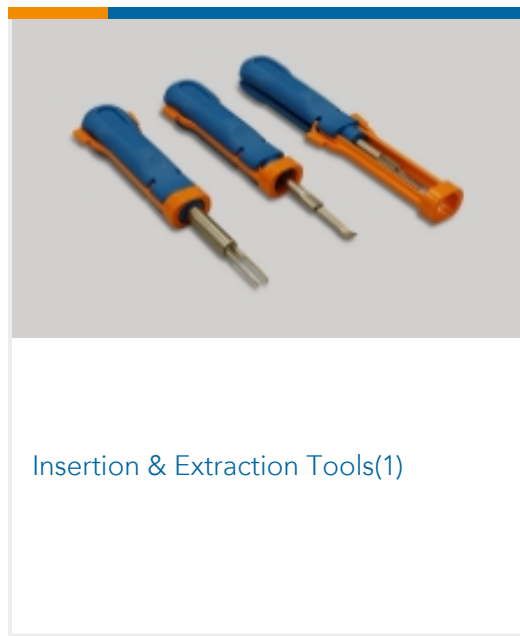


TE Part # 5-103958-2
8X3 MTE RCPT SR LATCH .100CL

Also in the Series | **AMPMODU MTE**



Connector Caps & Covers(40)



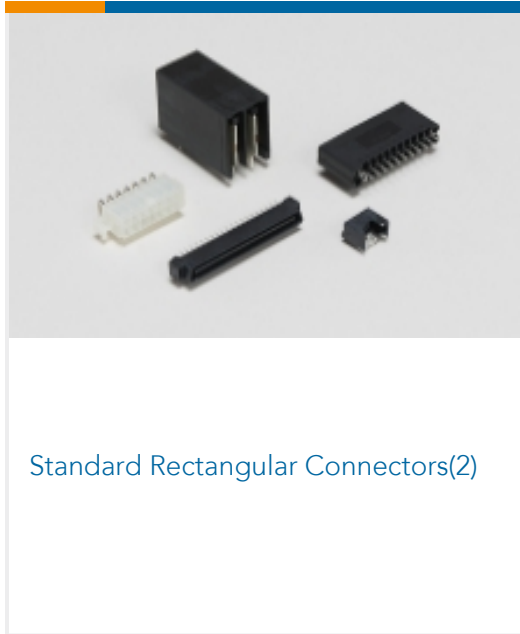
Insertion & Extraction Tools(1)



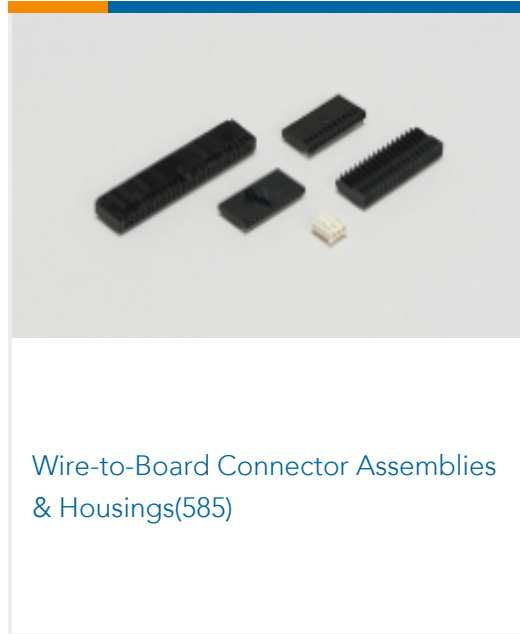
PCB Headers & Receptacles(763)



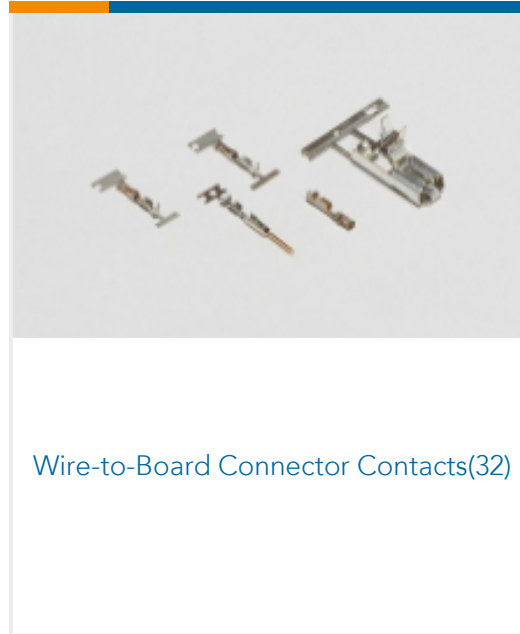
Ribbon Connector Accessories(1)



Standard Rectangular Connectors(2)



Wire-to-Board Connector Assemblies & Housings(585)

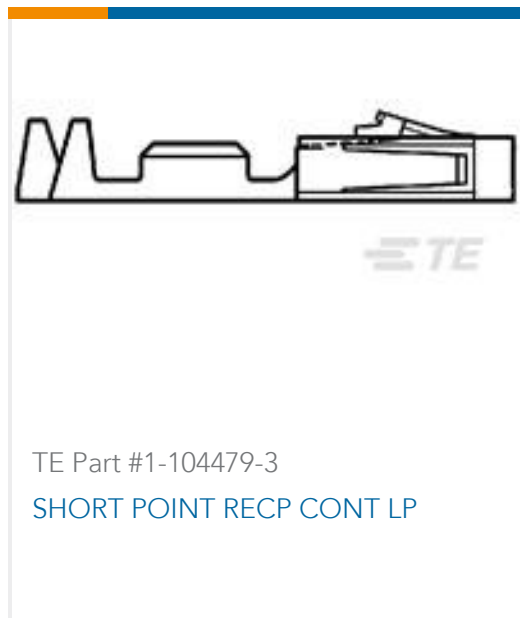


Wire-to-Board Connector Contacts(32)

Customers Also Bought



TE Part #103653-4
05 MTE SHRD PIN HSG SR LATCH



TE Part #1-104479-3
SHORT POINT RECP CONT LP



TE Part #103653-5
06 MTE SHRD PIN HSG SR LATCH



TE Part #104257-7
08 MTE RCPT HSG SR LATCH .100



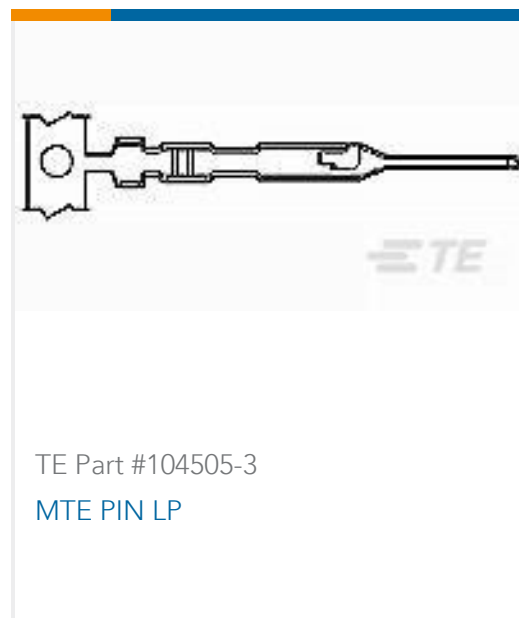
TE Part #104257-3
04 MTE RCPT HSG SR LATCH .100



TE Part #104257-1
02 MTE RCPT HSG SR LATCH .100



TE Part #103653-6
07 MTE SHRD PIN HSG SR LATCH



TE Part #104505-3
MTE PIN LP



TE Part #6-103908-3
14 MTE HDR SRST LATCH W/HLDWN



TE Part #5-103946-1
8X2 MTE SHRD PIN SR POL .100CL

Documents



Product Drawings

03 MTE SHRD PIN HSG SR LATCH

English

CAD Files

3D PDF

3D

Customer View Model

[ENG_CVM_CVM_103653-2_AM.2d_dxf.zip](#)

English

Customer View Model

[ENG_CVM_CVM_103653-2_AM.3d_igs.zip](#)

English

Customer View Model

[ENG_CVM_CVM_103653-2_AM.3d_stp.zip](#)

English

By downloading the CAD file I accept and agree to the [Terms and Conditions](#) of use.

Datasheets & Catalog Pages

AMP MODU MTE Section of Catalog 1307819

English

AMPMODU_INTERCONNECTION_SYSTEM_SECTION5_CONT

English

AMPMODU MTE INTERCONNECT SYSTEM

English

Product Specifications

Application Specification

English

Product Environmental Compliance

MD_103653-2_031620181327_dmtec

English

MD_103653-2_031620181327_dmtec

English