

3200 SERIES D-SUB P.C.B STRAIGHT CONNECTORS FEMALE TYPE

MATERIAL

HOUSONG : THERMOPLASTIC (UL94V-0)

TERMINAL : COPPER ALLOY

| | | | | |
|-----|----------|-------------|---------|------|
| REV | DATE | DESCRIPTION | ECN NO. | NAME |
| A | 96.12.28 | NEW RELEASE | | CHIN |

ORDER INFORMATION
3200 - ** F * * * * *

09P 15P
19P 25P F:FEMALE
37P 50P

INSULATOR COLOR
B:BLACK
W:WHITE
U:BLUE

CONTACT
S:STAMPED PIN
M:MACHINED PIN

SHELL PLATED
Z:ZINC YELLOW
N:NICKEL
T:TIN

M:WITH #4-40 HEX. NUT IN FRONT OF SHELL
& USE RIVET TO PLUG THE HOLES.(H:5.8mm)

N:WITH #4-40 HEX. NUTS IN THE REAR OF SHELL
& USE RIVERT TO PLUG THE HOLES(H:4.0mm)

O:WITH #4-40 HEX. NUTS IN FORNT OF SHELL
THOUGHT HOLES(H:5.8mm)

P:WITH #4-40 HEX. NUTS IN THE REAR OF SHELL
THOUGHT HOLES(H:4.0mm)

Q:WITH #4-40 ROUND NUTS IN FRONT OF SHELL
& USE RIVET TO PLUG THE HOLES.(H:5.8mm)

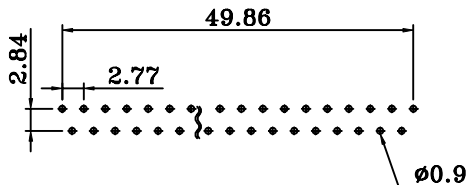
R:WITH #4-40 ROUND NUTS IN THE REAR OF SHELL
& USE RIVERT TO PLUG THE HOLES(H:4.0mm)

S:WITH #4-40 ROUND NUTS IN FRONT OF SHELL
THOUGHT HOLES(H:5.8mm)

T:WITH #4-40 ROUND NUTS IN THE REAR OF SHELL
THOUGHT HOLES(H:4.0mm)

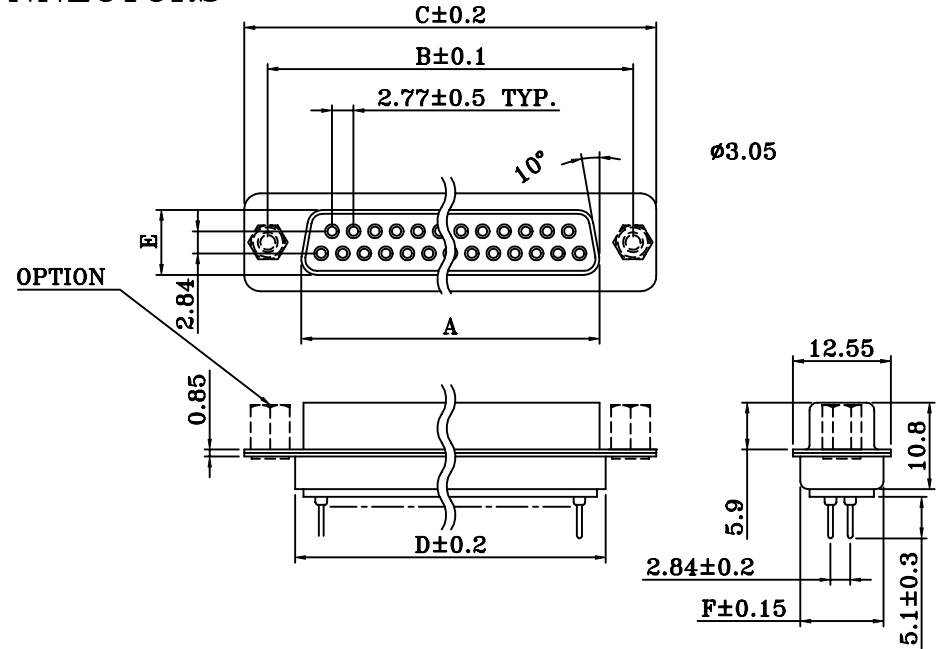
CONTACT PLATED
T1:TIN
S1:GOLD FLASH F1:GOLD FLASH
S2:5μ" GOLD F2:5μ" GOLD
S3:10μ" GOLD F3:10μ" GOLD
S4:15μ" GOLD F4:15μ" GOLD
S5:30μ" GOLD F5:30μ" GOLD
S6:3μ" GOLD F6:3μ" GOLD

X:WITHOUT NUT



RECOMMENDED P.C.BOARD
HOLE LAYOUT

NOTE: P.C.B. LAYOUT TOLERANCE: ±0.05mm



| Shell Size | Dimension | | | | | |
|------------|-----------|-------|-------|-------|-------|-------|
| | A | B | C | D | E | F |
| 09F | 16.33 | 24.99 | 30.81 | 19.28 | 7.900 | 10.72 |
| 15F | 24.66 | 33.32 | 39.25 | 27.75 | 7.900 | 10.72 |
| 19F | 30.00 | 38.94 | 44.94 | 32.90 | 7.900 | 10.92 |
| 23F | 35.75 | 44.28 | 50.30 | 38.70 | 7.900 | 10.72 |
| 25F | 38.38 | 47.04 | 53.03 | 41.30 | 7.900 | 10.72 |
| 37F | 54.84 | 63.50 | 69.50 | 57.40 | 7.900 | 10.72 |
| 50F | 52.43 | 61.00 | 66.93 | 55.32 | 10.92 | 13.60 |

| | | | | |
|--|----------------------------|------------|----------------------------------|----------|
| GENERAL TOLERANCE ±0.25mm GENERAL ANGLE TOLERANCE ±3° | WIESON ELECTRONIC CO., LTD | | PART NO.: 3200 ** F * * * * * | |
| | DRAWN BY | CHIN(WST) | DRAWING NO. | 3200-002 |
| | CHECKED BY | CHYN | DRAWING SIZE | 1 : 1 A3 |
| | APPROVED BY | KEVIN | UNIT | mm |
| | SORTING NO. | P1025(WST) | PAGE | 1 OF 1 |

ISSUED

[ARTICLE: 044033 V1]