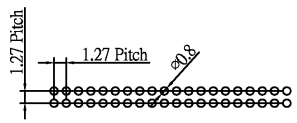
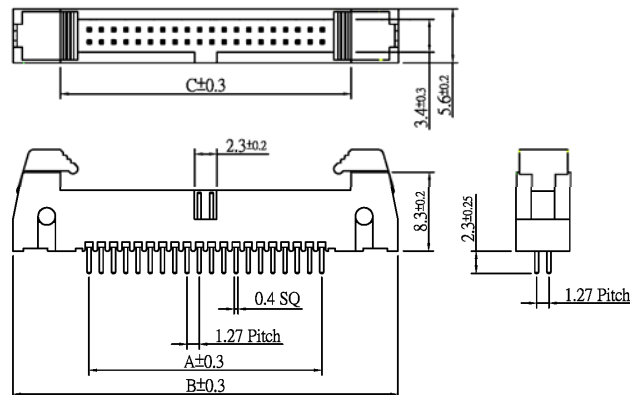


**SPECIFICATIONS**

Contact Material: Brass  
 Insulator Material: LCP  
 Finish: Gold flash plated over nickel.

Dimensions			
Circuits	A	B	C
6	2.54	18.31	8.46
10	5.08	20.85	11.00
12	6.35	22.12	12.27
14	7.62	23.39	13.54
16	8.89	24.66	14.81
20	11.43	27.20	17.35
26	15.24	31.01	21.16
30	17.78	33.55	23.70
34	20.32	36.09	26.24
40	24.13	39.90	30.05
44	26.67	42.44	37.59
50	30.48	46.25	36.40
60	36.83	52.60	42.75
64	39.37	55.14	45.29
66	40.64	56.41	46.56
68	41.91	57.68	47.83
80	49.53	65.30	55.45
100	62.23	78.00	68.15



P.C.Board Layout

**RoHS compliant**

Series	Positions	Mounting	Latch Style	Plating
LHD-C	XX	XX	XX	XX
Latch Header .05x.05	See Chart	ST=Straight RA=Right Angle	SL=Short Latch LL=Long Latch NL=No Latch	TN=Tin SGXX=Selective Gold GDXX=Gold XX=Flash if blank, 15, 30, 50 u" Gold

Rev.	Description	Date	Approved	Drawing	Name	Date
				Approved	Howard	05/15/02
				Checked	Lizzy	05/15/02
				Drawn	Tina	05/15/02
				0.0 ± 0.35	0.00 ± 0.20	Angles ± 3'
				UNIT: mm		

**Central Components Manufacturing**  
 440 Lincoln Blvd., Middlesex, New Jersey 08846  
 Phone 732 469-5720 888 288-5152 Fax 732 469-1919

Part No.: **LHD-C-XX-ST-SL-XX**  
 Description: Male shrouded latch header, .05"x.05" (1.27mmx1.27mm) straight