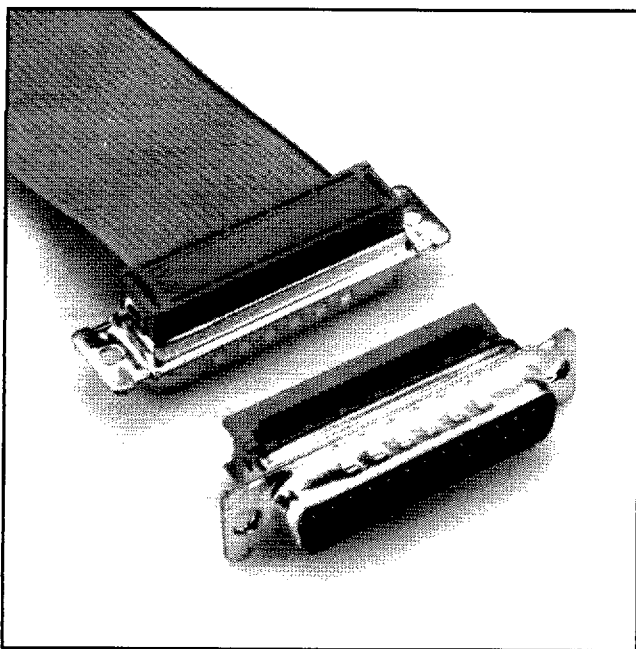


# D Sub

Plug Connector

898XX Series



- Pre-assembled, one-piece body can reduce assembly time to one-third
- Connectors available with 9, 15, 25 and 37 positions
- Accepts .050" flat ribbon and discrete wire, 26 and 28 AWG, solid and stranded cable
- Choice of preassembled open or closed covers
- Friction dimples provide reliable EMI/ESD protection
- Special locator plate reduces the risk of misalignment during assembly
- Fiber-free PVC blister packages of 25 speed loading of automated assembly equipment
- Threaded inserts for built-in convenience
- Cable strain relief, hooking directly to the metal shell, available

121

TS-0483-02  
Sheet 1 of 3

## Physical

### Insulation

Material: Glass Filled Polyester (PBT)

Flammability: UL 94V-0

Color: Gray

### Contact

Material: Phosphor Bronze

Plating

Underplate: 50  $\mu$ " (1.27  $\mu$ m) Nickel — QQ-N-290, Class 2

Wiping Area: 15  $\mu$ " (0.38  $\mu$ m) Gold — MIL-G-45204, Type II, Grade C

### Shell

Material: Steel

Plating: 197-394  $\mu$ " (5-10  $\mu$ m) 90/10 Tin Lead Over Copper

Strain Relief Material: Stainless Steel .020 (0.50) Thick

Wire Accommodation: 26 & 28 AWG Solid or Stranded

Marking: 3M Logo & Contact Position Numbers

## Electrical

Current Rating: 1 A

Insulation Resistance:  $> 1 \times 10^9 \Omega$  at 500 VDC

Withstanding Voltage: 1000 Vrms at Sea Level

## Environmental

Temperature Rating:  $-55^\circ$  to  $+105^\circ$

UL File No.: E68080

CSA File No.: LR 40971

3M Electronic Products Division

6801 River Place Blvd.  
Austin, TX 78726-9000

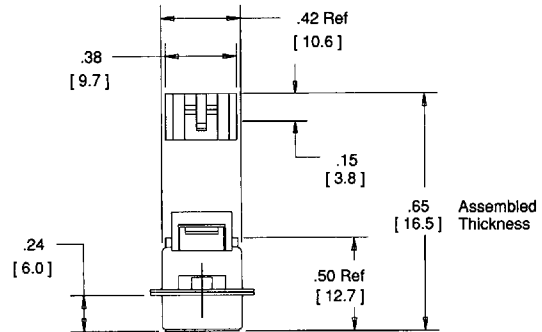
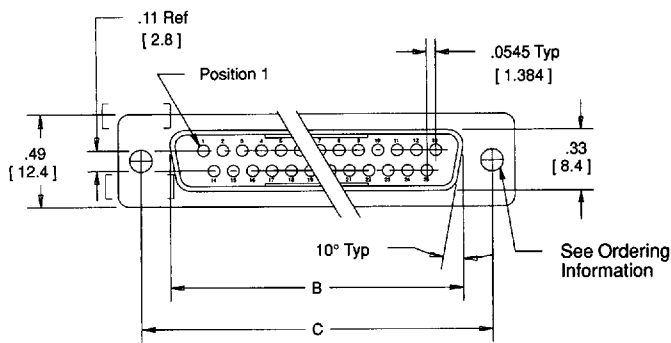
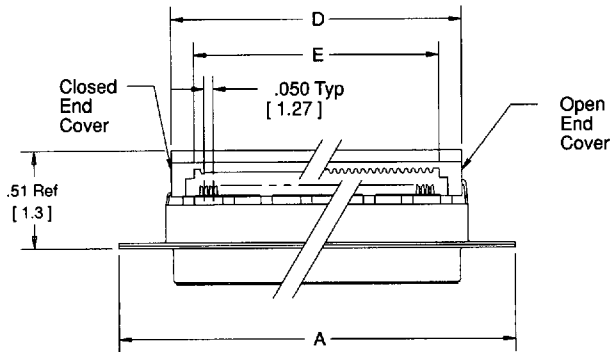
9005413 0000334 115

# D Sub Plug Connector

898XX Series

Contact Quantity	Dim A	Dim B	Dim C	Dim D	Dim E	Dim F
09	1.21 [30.7]	.67 [17.0]	.98 [25.0]	.66 [16.7]	.49 [12.5]	.70 [17.8]
15	1.54 [39.1]	1.00 [25.4]	1.31 [33.3]	.99 [25.2]	.79 [20.1]	1.03 [26.1]
25	2.09 [53.1]	1.54 [39.1]	1.85 [47.0]	1.53 [39.0]	1.29 [32.8]	1.57 [39.8]
37	2.73 [69.3]	2.18 [55.4]	2.50 [63.5]	2.18 [55.4]	1.89 [48.0]	2.22 [56.3]

Sheet 2 of 3



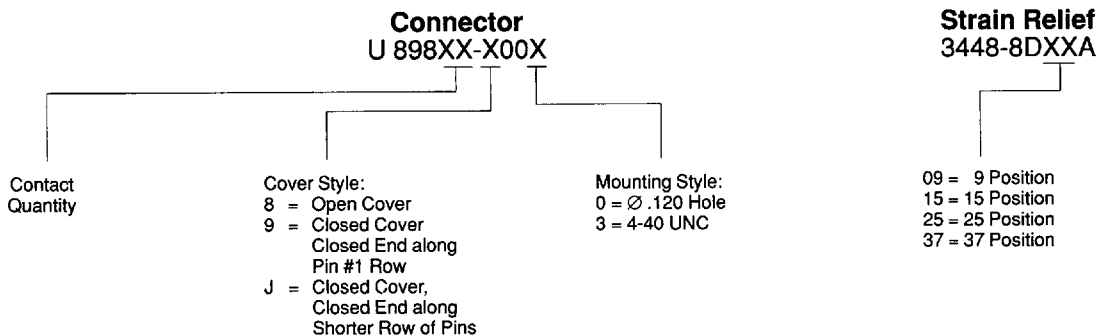
Inch  
[mm]

Tolerance Unless Noted			
	.0	.00	.000
Inch	±.1	±.01	±.005

[ ] Dimensions for Reference Only

TS-0483-02

## Ordering Information



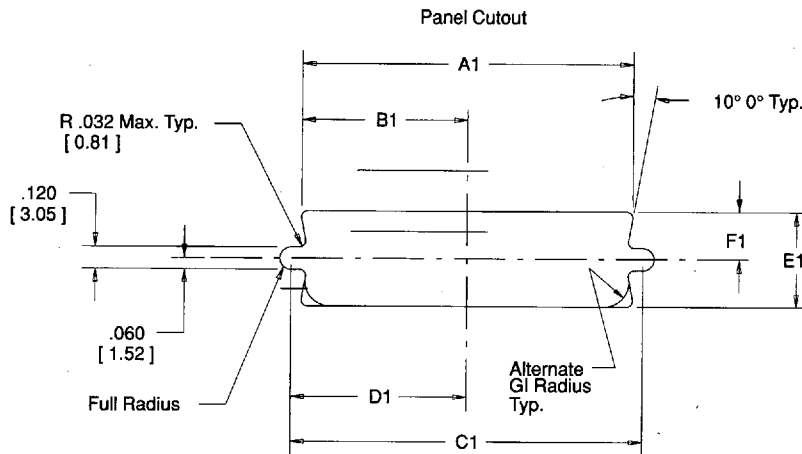
# D Sub Plug Connector

898XX Series

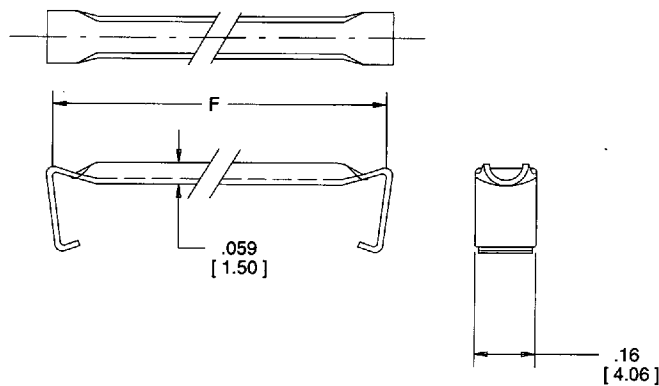
Sheet 3 of 3

Mounting Method*	Contact Quantity	Dim A1	Dim B1	Dim C1	Dim D1	Dim E1	Dim F1	Dim G1
Front	9	.874 [22.20]	.437 [11.10]	.984 [24.99]	.492 [12.50]	.513 [13.03]	.257 [6.53]	.120 [3.05]
	15	1.202 [30.53]	.601 [15.27]	1.312 [33.32]	.656 [16.66]	.513 [13.03]		
	25	1.744 [44.30]	.872 [22.15]	1.852 [47.04]	.926 [23.52]	.513 [13.03]		
	37	2.392 [60.76]	1.196 [30.38]	2.500 [63.50]	1.250 [31.75]	.513 [13.03]		
Rear	9	.806 [20.47]	.403 [10.24]	.984 [24.99]	.492 [12.50]	.449 [11.40]	.225 [5.70]	.120 [3.05]
	15	1.134 [28.80]	.567 [14.40]	1.312 [33.32]	.656 [16.66]	.449 [11.40]		
	25	1.674 [42.52]	.837 [21.26]	1.852 [47.04]	.926 [23.52]	.449 [11.40]		
	37	2.326 [59.08]	1.163 [29.54]	2.500 [63.50]	1.250 [31.75]	.449 [11.40]		

\*Front Mount – The connector is mounted in front of the panel.  
Rear Mount – The connector is mounted behind the panel.



Strain Relief  
(Order Separately or with Connector)



TS-0483-02