

SPECIFICATIONS

Mechanical

Contact Retention Force: 1.36 kg min.

Electrical

Current Rating: 1A Per Pin Min.

Dielectric Withstanding Voltage: 250V RMS

Insulation Resistance: 1000MW min.

Physical

Housing: High Temperature, UL 94V-0 Rated In Black Color

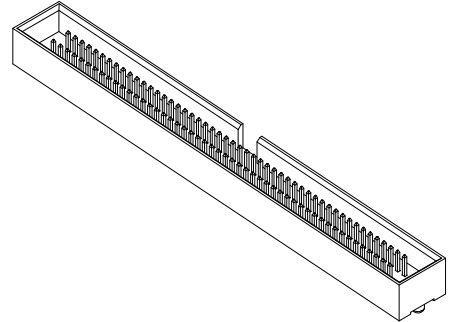
Contact: Copper Alloy

Plating: See "ORDERING INFORMATION"

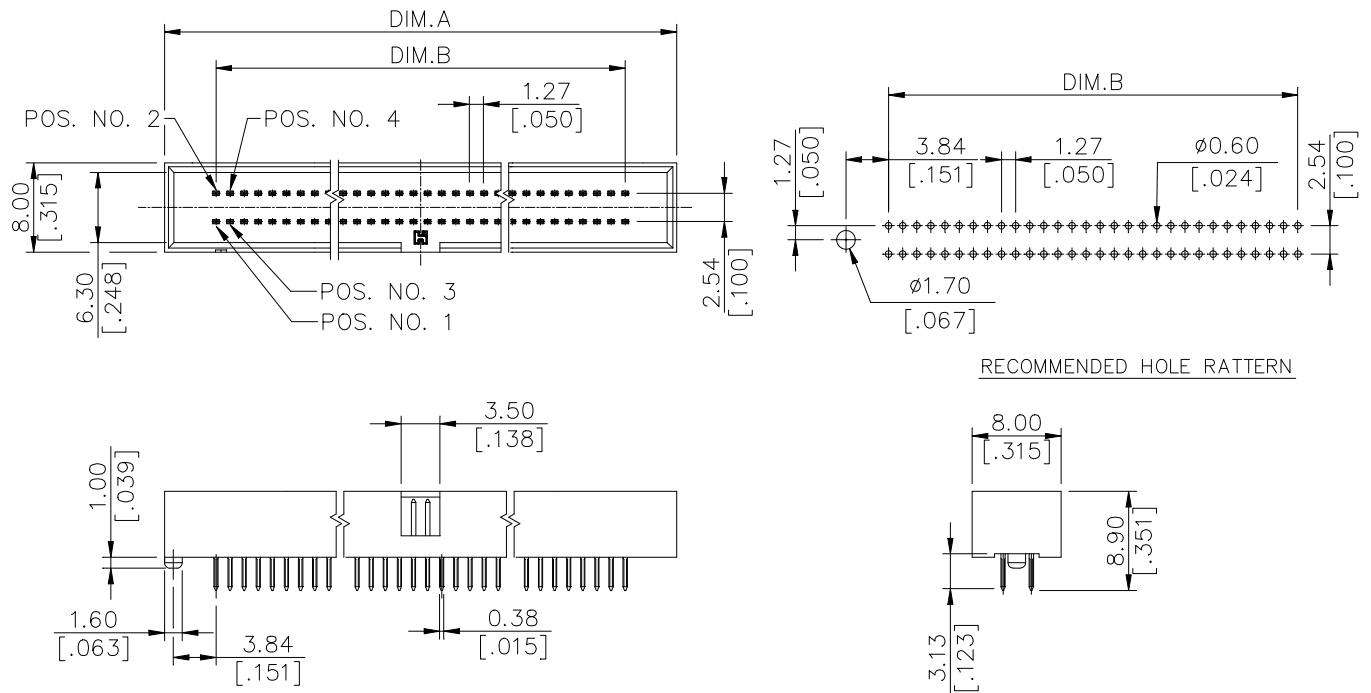
Operating Temperature: -55 to +105

SHROUDED Connector

HL63 Series
Vertical, T/H Type
Receptacle
2.54mmX1.27mm
[.100] X [.050] Pitch

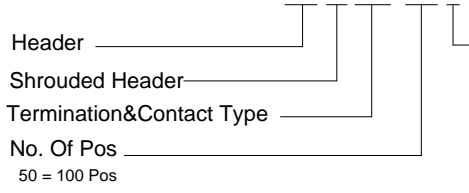


DRAWING



ORDERING INFORMATION

PRODUCT NO.: H L 6 3 * * *



- Contact Area Plating**
- 1 = Gold Flish
 - 7 = 15u" Gold
 - F = Gold Flish With Lead Free RoHS COMPLIANCE
 - V = 15u" Min Gold With Lead Free RoHS COMPLIANCE
 - E = Tin Plated With Lead Free RoHS COMPLIANCE
 - H = 30 u" Min Gold With Lead Free RoHS COMPLIANCE

HL6350*-***	100	71.50 [2.817]	62.23 [2.452]
P/N	POS.	DIM. A	DIM. B