

**SPECIFICATIONS**

**Mechanical**

**Contact Retention Force:** 0.91kg min.

**Electrical**

**Current Rating:** 1.0A

**Dielectric Withstanding Voltage:** 500V AC

**Insulation Resistance:** 1000MW

**Physical**

**Housing:** Thermoplastic, UL 94V-0 rated in Ivory Color

**Contact:** Brass

**Plating:** See "ORDERING INFORMATION"

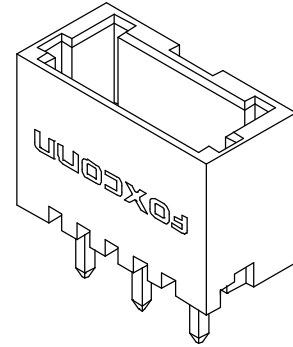
**Operating Temperature:** -40 to +105

**Wire-to-Board Header**

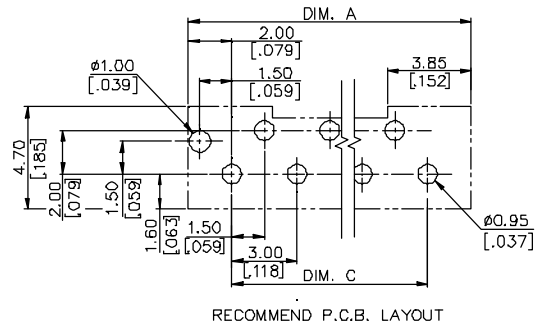
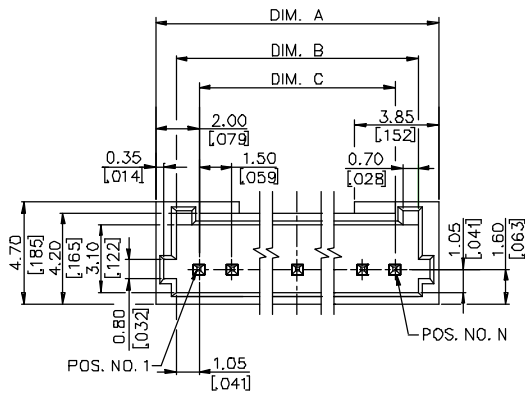
**HD61 Series**

**Vertical, T/H Type**

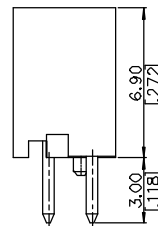
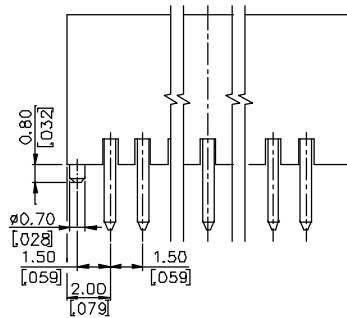
**2.00mm [.078"] Pitch**



**DRAWING**



RECOMMEND P.C.B. LAYOUT



**ORDERING INFORMATION**

**PRODUCT NO.:** HD61\*\*0

Header \_\_\_\_\_  
 Polarizing Wall \_\_\_\_\_  
 Termination & Contact Type \_\_\_\_\_  
 No. of Pos. \_\_\_\_\_  
 04=4 Pos.  
 07=7 Pos.  
 08=8 Pos.

Contact Area Plating  
 0=Tin/Lead

HD61080	B	14.50 [.571]	12.60 [.496]	10.50 [.413]
HD61070	7	13.00 [.512]	11.10 [.437]	9.00 [.354]
HD61040	4	8.50 [.335]	6.60 [.260]	4.50 [.177]
P/N	POS.	DIM. A	DIM. B	DIM. C