

T-03-01

FAST RECOVERY RECTIFIER

1A FAST RECOVERY RECTIFIER

(DO41 PACKAGE)

TYPE	INDUSTRY PART NO	PEAK INVERSE VOLTAGE	MAX. AVG. FWD.		MAX. FWD SURGE CURRENT	MAX. FWD. VOLTAGE	MAX. REVERSE CURRENT	REVERSE RECOVERY TIME
			CURRENT					
		Piv(V)	Io (A) @ TA(°C)	IFSM(APK)	VFM (V)	IR(μA)	TRR(ns)	
FR10-005 FR10-01	FR101 FR102	50 100	1.0 55	50	1.3V @ 1A	5	150	
FR10-02 FR10-04	FR103 FR104	200 400					150	
FR10-06 FR10-08	FR105 FR106	600 800					250	
FR10-10	FR107	1000					500	
1N4933 1N4934	1N4933 1N4934	50 100	1.0 55	50	1.2V @ 1A	5	200 *	
1N4935 1N4936	1N4935 1N4936	200 400					200 *	
1N4937	1N4937	600					200 *	

*TRR TEST CONDITION: If 1A, VR30V

1.5A FAST RECOVERY RECTIFIER

(DO15 PACKAGE)

OPERATING AND STORAGE TEMPERATURE RANGE: -65°C TO +150°C

TYPE	IND. P/N	Piv(V)	Io(A) @ TA(°C)	IFSM (APK)	VFM(V)	IR(μA)	TRR(NS)
FR15-005 FR15-01	FR151 FR152	50 100	1.5 55	65	1.3V @ 1.5A	5	150
FR15-02 FR15-04	FR153 FR154	200 400					150
FR15-06 FR15-08	FR155 FR156	600 800					250
FR15-10	FR157	1000					500

2A FAST RECOVERY RECTIFIER

(DO15 PACKAGE)

OPERATING AND STORAGE TEMPERATURE RANGE -55°C TO +150°C

TYPE	IND. P/N	Piv(V)	Io (A) @ TA(°C)	IFSM (APK)	VFM (V)	IR(μA)	TRR(ns)
FR20-005 FR20-01	FR201 FR202	50 100	1.5 55	70	1.3V @ 2A	5	150
FR20-02 FR20-04	FR203 FR204	200 400					150
FR20-06 FR20-08	FR205 FR206	600 800					250
FR20-10	FR207	1000					500

3A FAST RECOVERY RECTIFIER

(DO201AD PACKAGE)

OPERATING AND STORAGE TEMPERATURE RANGE -65°C TO +150°C

TYPE	IND. P/N	Piv(V)	Io(A) @ TA(°C)	IFSM (APK)	VFM(V)	IR(μA)	TRR(NS)
FR30-005 FR30-01	MR 850 MR 851	50 100	3.0 55	200	1.3V @ 3.0A	5	150
FR30-02 FR30-04	MR 852 MR 854	200 400					150
FR30-06 FR30-08	MR 856 RGP 30K	600 800					250
FR30-10	RGP 30M	1000					500

6A FAST RECOVERY RECTIFIER

(P6 PACKAGE)

OPERATING AND STORAGE TEMPERATURE RANGE: -65°C TO +150°C

TYPE	IND. P/N	Piv(V)	Io(A) @ TA(°C)	IFSM (APK)	VFM(V)	IR(μA)	TRR(NS)
FR60-005 FR60-01	RP 600A RP 600B	50 100	*6 40	400	1.3V @ 6A	5	150
FR60-02 FR60-04	RP 600D RP 600G	200 400					150
FR60-06 FR60-08	RP 600J RP 600K	600 800					250
FR60-10	RP 600M	1000					500

* WITH 400mm² x 1.5μs @ LEAD LENGTH 95mm

ULTRA FAST RECOVERY RECTIFIER**1A ULTRA FAST RECOVERY RECTIFIER****(DO41 PACKAGE)**

TYPE	INDUSTRY PART NO	PEAK INVERSE VOLTAGE	MAX. AVG. RECT. CURRENT	MAX. FWD SURGE CURRENT 1 CYCLE 60HZ	MAX. FWD. VOLTAGE @ RATED CURRENT	MAX. REVERSE CURRENT @ 25°C @ RATED PIV	REVERSE RECOVERY TIME IF 0.5A, IR 1A Irr 0.25A
		PIV(V)	IO (A) @ TA(°C)	IFSM(APK)	VFM (V)	IR(μA)	TRR(ns)
UF10-005	UF4001	50	1.0A @ 50°C	30	1.0 @ 1A	5	50
UF10-01	UF4002	100					50
UF10-02	UF4003	200					50

1.5A ULTRA FAST RECOVERY RECTIFIER**(DO15 PACKAGE)**

TYPE	IND. P/N	PIV(V)	IO (A) @ TA(°C)	IFSM(APK)	VFM (V)	IR(μA)	TRR(ns)
UF15-005	HER151	50	1.5A @ 50°C	50	1.0V @ 1.5A	5	50
UF15-01	HER152	100					50
UF15-02	HER153	200					50

2A ULTRA FAST RECOVERY RECTIFIER**(DO15 PACKAGE)**

TYPE	IND. P/N	PIV(V)	IO (A) @ TA(°C)	IFSM(APK)	VFM (V)	IR(μA)	TRR(ns)
UF20-005	HER201	50	2.0A @ 50°C	100	1.0V @ 2A	5	50
UF20-01	HER202	100					50
UF20-02	HER203	200					50

3A ULTRA FAST RECOVERY RECTIFIER**(DO201AD PACKAGE)**

TYPE	IND. P/N	PIV(V)	IO (A) @ TA(°C)	IFSM(APK)	VFM (V)	IR(μA)	TRR(ns)
UF30-005	UF5400	50	3.0A @ 50°C	150	1.0V @ 3A	5	50
UF30-01	UF5401	100					50
UF30-02	UF5402	200					50

6A ULTRA FAST RECOVERY RECTIFIER**(DO201AD PACKAGE)**

TYPE	IND. P/N	PIV(V)	IO (A) @ TA(°C)	IFSM(APK)	VFM (V)	IR(μA)	TRR(ns)
UF60-005	HER601	50	6.0A @ 50°C	300	1.0V @ 6A	5	50
UF60-01	HER602	100					50
UF60-02	HER603	200					50

SUPER FAST RECOVERY RECTIFIER**1A SUPER FAST RECOVERY RECTIFIER****(DO41 PACKAGE)**

TYPE	IND. P/N	PIV(V)	IO (A) @ TA(°C)	IFSM(APK)	VFM (V)	IR(μA)	TRR(ns)
SF10-005	SF11	50	1.0A @ 50°C	30	0.95V @ 1A	5	35
SF10-01	SF12	100					35
SF10-015	SF13	150					35
SF10-02	SF14	200	35				

2A SUPER FAST RECOVERY RECTIFIER**(DO15 PACKAGE)**

TYPE	IND. P/N	PIV(V)	IO (A) @ TA(°C)	IFSM(APK)	VFM (V)	IR(μA)	TRR(ns)
SF20-005	SF21	50	2.0A @ 50°C	75	0.95V @ 2A	5	35
SF20-01	SF22	100					35
SF20-015	SF23	150					35
SF20-02	SF24	200	35				

3A SUPER FAST RECOVERY RECTIFIER**(DO201AD PACKAGE)**

TYPE	IND. P/N	PIV(V)	IO (A) @ TA(°C)	IFSM(APK)	VFM (V)	IR(μA)	TRR(ns)
SF30-005	SF31	50	3.0A @ 50°C	125	0.95V @ 3A	5	35
SF30-01	SF32	100					35
SF30-015	SF33	150					35
SF30-02	SF34	200	35				

5A SUPER FAST RECOVERY RECTIFIER**(DO201AD PACKAGE)**

TYPE	IND. P/N	PIV(V)	IO (A) @ TA(°C)	IFSM(APK)	VFM (V)	IR(μA)	TRR(ns)
SF50-005	SF51	50	5.0A @ 50°C	300	1.0V @ 5A	5	35
SF50-01	SF52	100					35
SF50-015	SF53	150					35
SF50-02	SF54	200	35				

6A SUPER FAST RECOVERY RECTIFIER**(DO201AD PACKAGE)**

TYPE	IND. P/N	PIV(V)	IO (A) @ TA(°C)	IFSM(APK)	VFM (V)	IR(μA)	TRR(μS)
SF60-005	SF61	50	6.0A @ 50°C	300	1.0V @ 6A	5	35
SF60-01	SF62	100					35
SF60-015	SF63	150					35
SF60-02	SF64	200	35				

PACKAGING

REEL PACKAGING

DEVICE CASE TYPE	QTY (PCS/REEL)	COMPONENT SPACING "A" FIG 1	APPROX GROSS WEIGHT PER REEL PACKED	CARTON SIZE	(PCS/CARTON)	APPROX. GROSS WEIGHT
DO41	5000	5mm	2.32KG	34 x 34 x 34.5cm (13.4 x 13.4 x 13.6in)	20,000 PCS	10.5KG
DO15	4000	(.197in)	2.25KG		16,000 PCS	10.0KG
DO201AD	1200	10mm	2.08KG		4,800 PCS	9.2KG
P6	700	(.394in)	1.55KG		2,800 PCS	7.3KG

FIG. 1

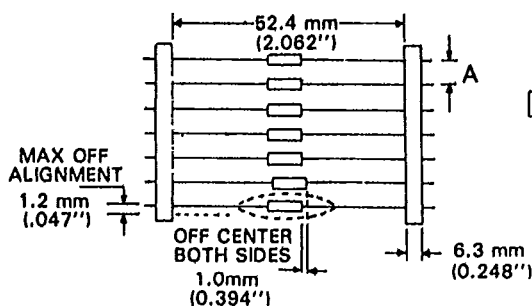


FIG. 2

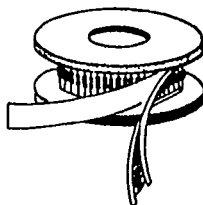
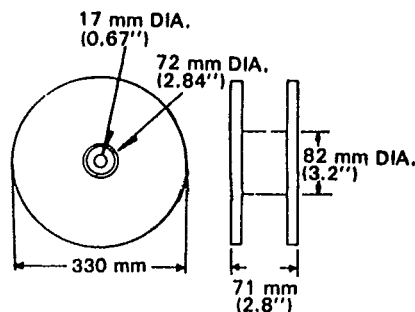


FIG. 3



AMMUNITION PACKAGING

DEVICE CASE TYPE	QTY (PCS/BOX)	COMPONENT SPACING "A" FIG 1	BOX SIZE	APPROX GROSS WEIGHT	CARTON SIZE	QTY PCS/CARTON	APPROX. GROSS WEIGHT
DO41	4000	5mm	26 x 10 x 10cm (10.24 x 3.9 x 3.94in)	1.55KG (3.42LB)	30 x 27 x 22cm (11.81 x 10.63 x 8.66in)	24,000	10KG (22.05LB)
DO15	2200	(.197in)		1.55KG (3.42LB)		13,200	10KG (22.05LB)
DO201AD	1000	10mm		1.4KG (2.6LB)		6,000	9.4KG (20.72LB)
P6	300	(.394in)		0.8KG (1.75LB)		1,800	7KG (15.43LB)

BULK PACKAGING

DEVICE CASE TYPE	BOX SIZE	QTY PCS/BOX	APPROX. GROSS WEIGHT	CARTON SIZE	QTY PCS/CARTON	APPROX. GROSS WEIGHT
DO41	20.3 x 8.3 x 2.54cm (8 x 3.5 x 1in)	1000PCS	0.38KG (.84LB)	46 x 21.5 x 25.4cm (18 x 8.5 x 10in)	50,000PCS	20KG (44LB)
DO15		700PCS	0.21KG (0.46LB)		35,000PCS	12KG (26.5LB)
DO201AD	20.3 x 8.3 x 5.08cm (8 x 3.5 x 2in)	500PCS	0.68KG (1.5LB)		12,500PCS	18KG (39.7LB)
P6		200PCS	0.50KG (1.1LB)		5000PCS	13.5KG (29.8LB)
W1,W2*	21 x 9 x 8.8cm (8.27 x 3.54 x 3.46in)	500PCS	STD 0.98KG(2.16LB) MIN 0.76KG(1.72L)	18.9 x 8.7 x 14.2in (48 x 22 x 36cm)	10,000PCS	STD 21KG(46.2LB) MIN 17KG(37.4LB)
BL2	23.5 x 23.5 x 5.5cm (7.3 x 7.3 x 2.2in)	400PCS	1.24KG (2.73LB)	51 x 25 x 30cm (20.1 x 9.8 x 11.8in)	4,000PCS	13.1KG (28.8LB)
BL4		400PCS	2.36KG (5.19LB)		4,000PCS	24.3KG (53.5LB)
BU4,BU6,BU8		400PCS	2.6KG (5.72LB)		4,000PCS	26.7KG (58.7LB)
BP8		200PCS	1.3KG (2.86LB)		2,000PCS	13.7KG (30.1LB)
BP3	21 x 21 x 5.5cm (8.3 x 8.3 x 2.2in)	200PCS	0.66KG (1.45LB)	47 x 22 x 27cm (18.5 x 8.7 x 10.6in)	1600PCS	5.9KG (13LB)
BP6		200PCS	0.94KG (2.07LB)		1600PCS	8.1KG (17.8LB)
BP10,15,25,35		50PCS	1.77KG (3.94LB)		400PCS	14.9KG (32.8LB)
HV07		20.6 x 20.6 x 5.6cm (8.1 x 8.1 x 2.2in)	50PCS		1.6KG (3.53LB)	46 x 21.5 x 25.4cm (18 x 8.5 x 10in)

FRONTIER ELECTRONICS CO., LTD.

10, LANE 42, MIN CHUAN ROAD, HSIN-TIEN
TAIPEI HSIEN, TAIWAN, R.O.C.

TEL: 9183191, 9183240, 913-5193

CABLE: FRONTRONIC TAIPEI

FAX: 886-2-9119143 TELEX: 32260 AZFEC