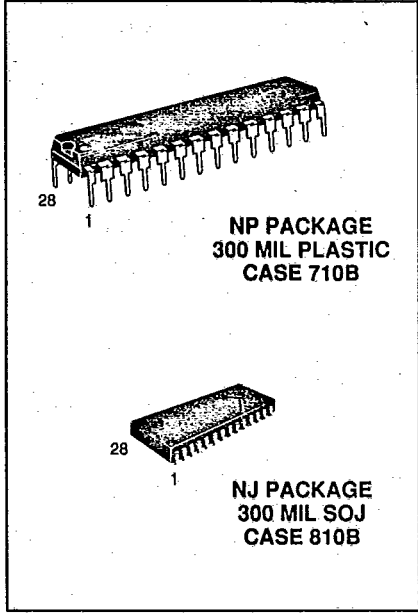
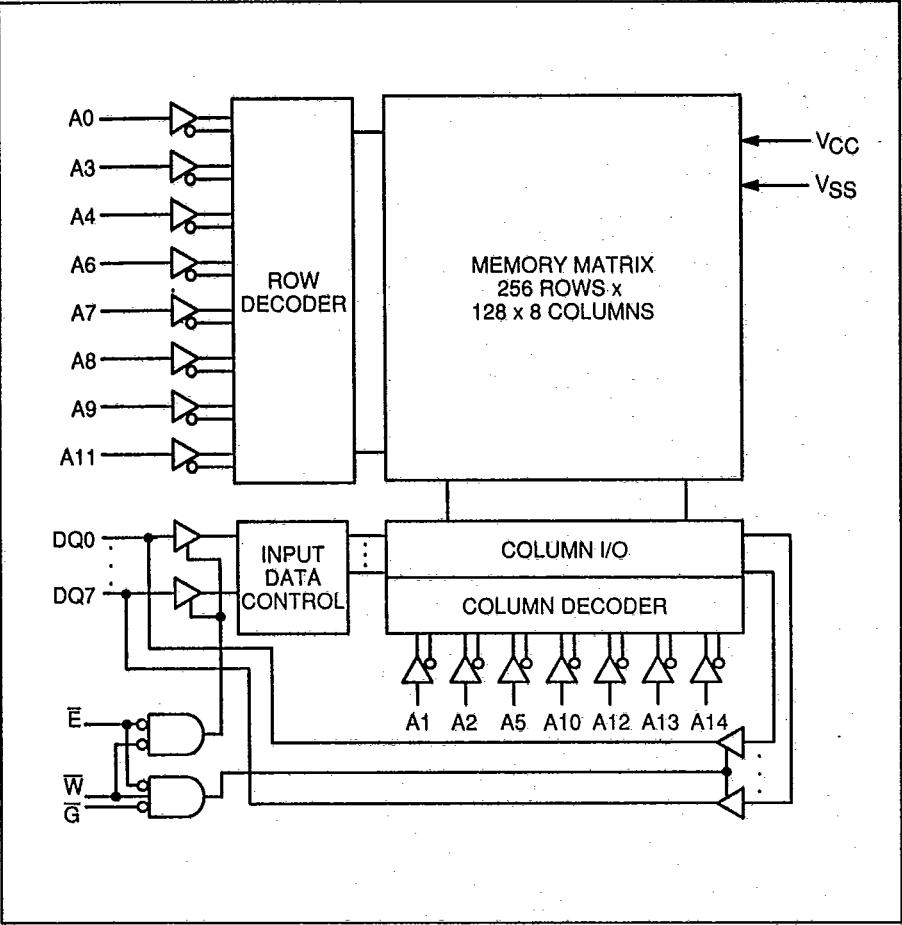


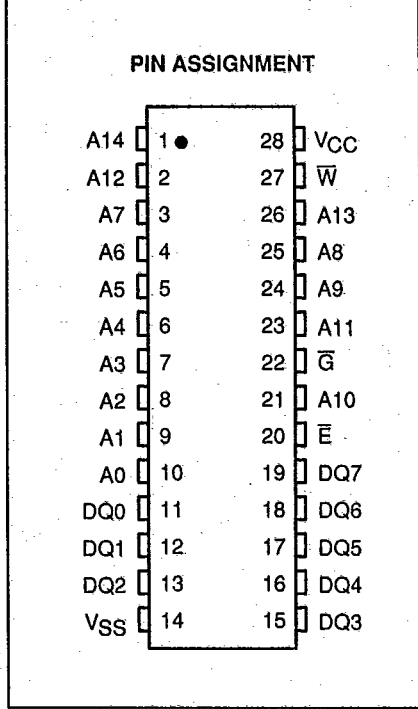
T-46-23-37

32K x 8 Bit Fast Static RAM

MCM6206C



PIN NAMES	
A0-A14	Address Input
DQ0-DQ7	Data Input/Output
W	Write Enable
G	Output Enable
E	Chip Enable
VCC	+5 V Power Supply
VSS	Ground



MCM6206C TRUTH TABLE (X = don't care)

E	G	W	Mode	VCC Current	Output	Cycle
H	X	X	Not Selected	ISB1, ISB2	High-Z	—
L	H	H	Output Disabled	ICCA	High-Z	—
L	L	H	Read	ICCA	Dout	Read Cycle
L	X	L	Write	ICCA	High-Z	Write Cycle

ORDERING INFORMATION (Order by Full Part Number)

MCM 6206 C X XX XX

Motorola Memory Prefix — MCM
 Part Number — 6206
 Revision — C

X — Shipping Method (R2 = Tape & Reel, Blank = Rails)
 XX — Speed (15 = 15 ns)

Package (NP = 300 mil Plastic DIP, NJ = 300 mil SOJ)

Full Part Numbers—MCM6206CNP15 MCM6206CNJ15 MCM6206CNJ15R2