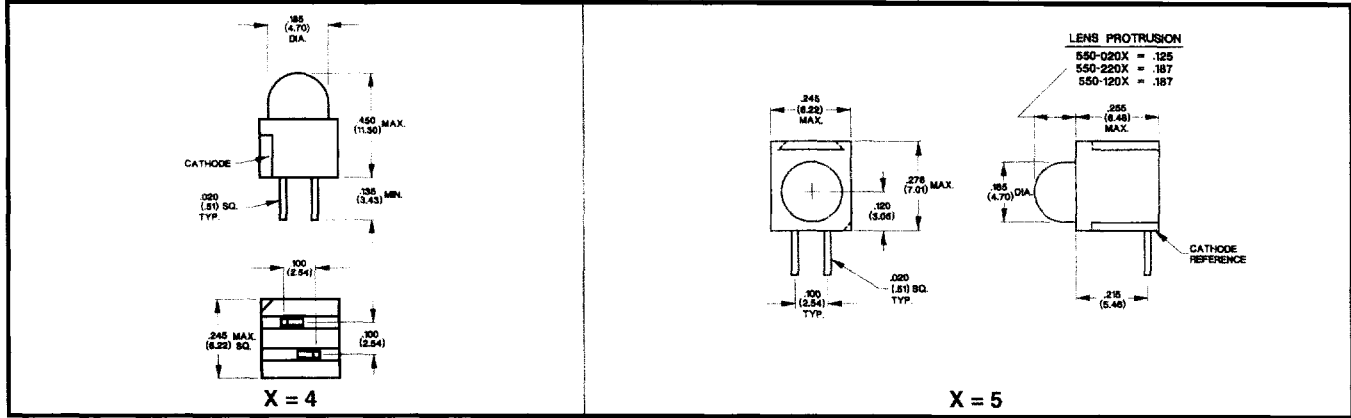


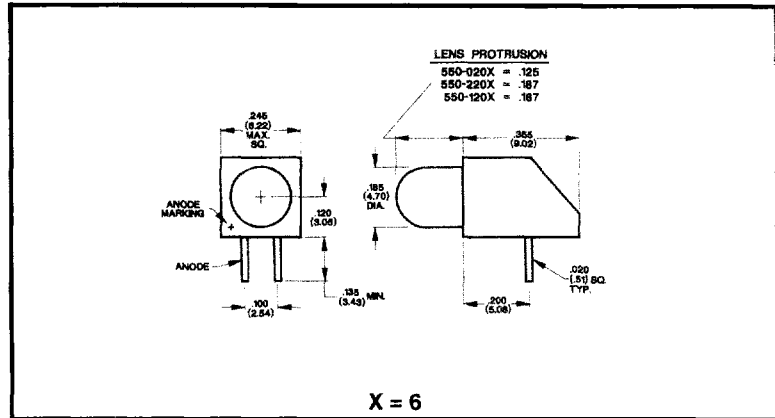
550 Series T-1 3/4 LED Circuit Board Indicators

DESCRIPTION AND FEATURES



4
Solid State
Products

These industry standard LED circuit board indicators are pin for pin replacements for the Dialight 550 Series. These indicators are available in three different configurations, providing both right angle and vertical circuit board indication. Available with standard efficiency, high efficiency, low current (2 mA) and bi-color LEDs, these circuit board indicators offer low cost, high luminous intensity, wide view angle diffused lenses, polarity identification and superb reliability and life.



ELECTRO-OPTICAL CHARACTERISTICS

Part Number	Lens Color	Luminous Intensity			Forward Voltage			Peak Wavelength (nm)	Absolute Maximum Ratings			
		Min. mcd	Typ. mcd	mA	Typ.	Max.	mA		V _r	I _f (mA)	Operating Temperature	P _D (mW)
550-020X	Green	1.6	3.2	20	2.3	3.0	20	565	5.0	50	-55 to +100°C	120
550-030X	Yellow	1.6	3.2	20	2.3	3.0	20	585	5.0	50	-55 to +100°C	120
550-040X	Red	0.8	2.0	20	1.7	2.0	20	665	5.0	50	-55 to +100°C	120
550-220X	Green	1.6	3.0	10	2.2	3.0	10	565	5.0	60	-55 to +100°C	180
550-230X	Yellow	2.2	3.0	10	2.2	3.0	10	585	5.0	35	-55 to +100°C	105
550-240X	Red	3.0	4.0	10	2.2	3.0	10	635	5.0	35	-55 to +100°C	105
550-110X	Red	1.2	2.0	2	1.8	2.2	2	635	5.0	7	-55 to +100°C	24
550-120X	Yellow	1.2	1.8	2	1.9	2.7	2	585	5.0	7	-55 to +100°C	36
550-130X	Green	1.2	1.8	2	1.8	2.2	2	565	5.0	7	-55 to +100°C	24

Part Number:

550

-

22

04

Series
Number

Color and
Type of LED

Configuration