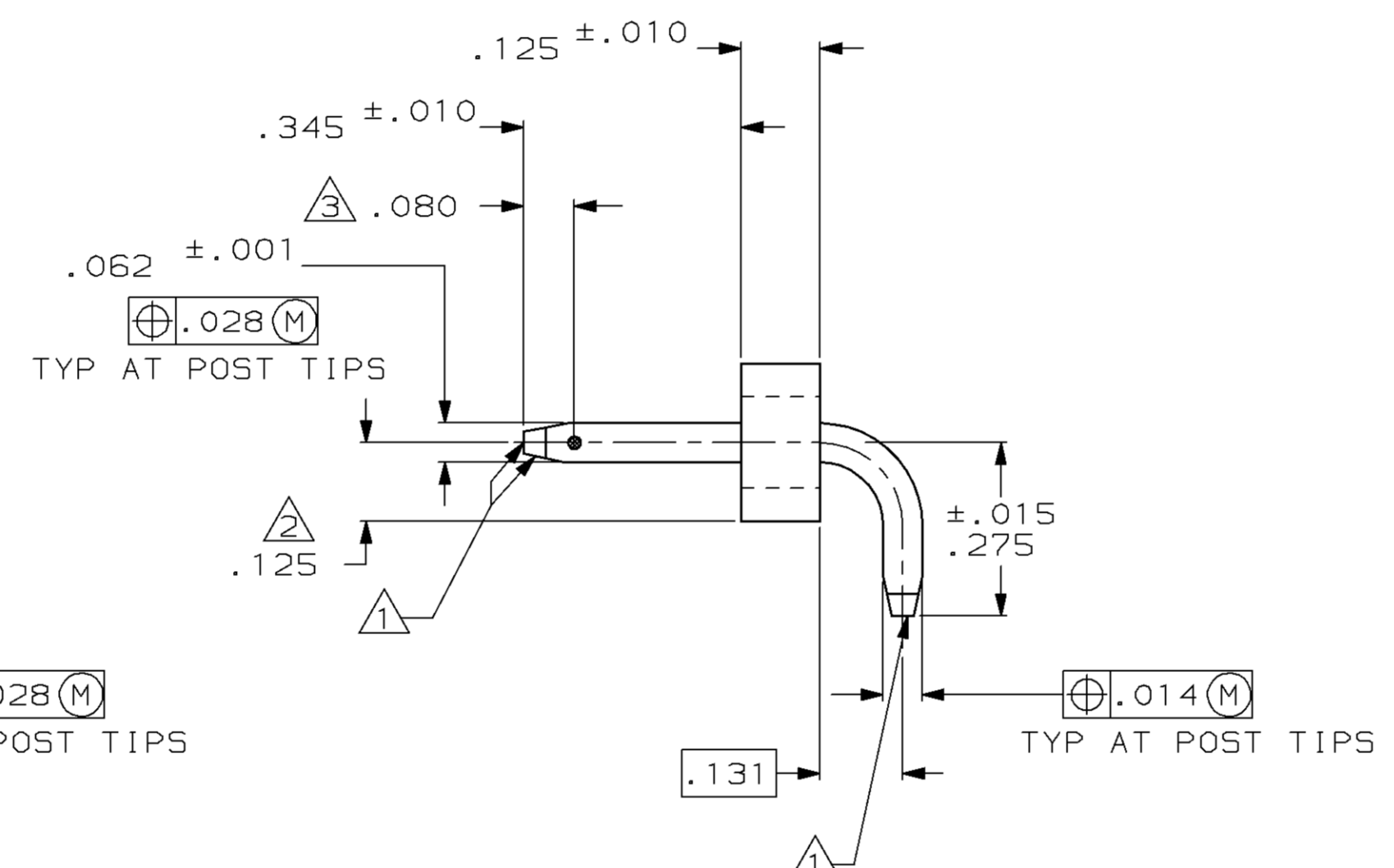
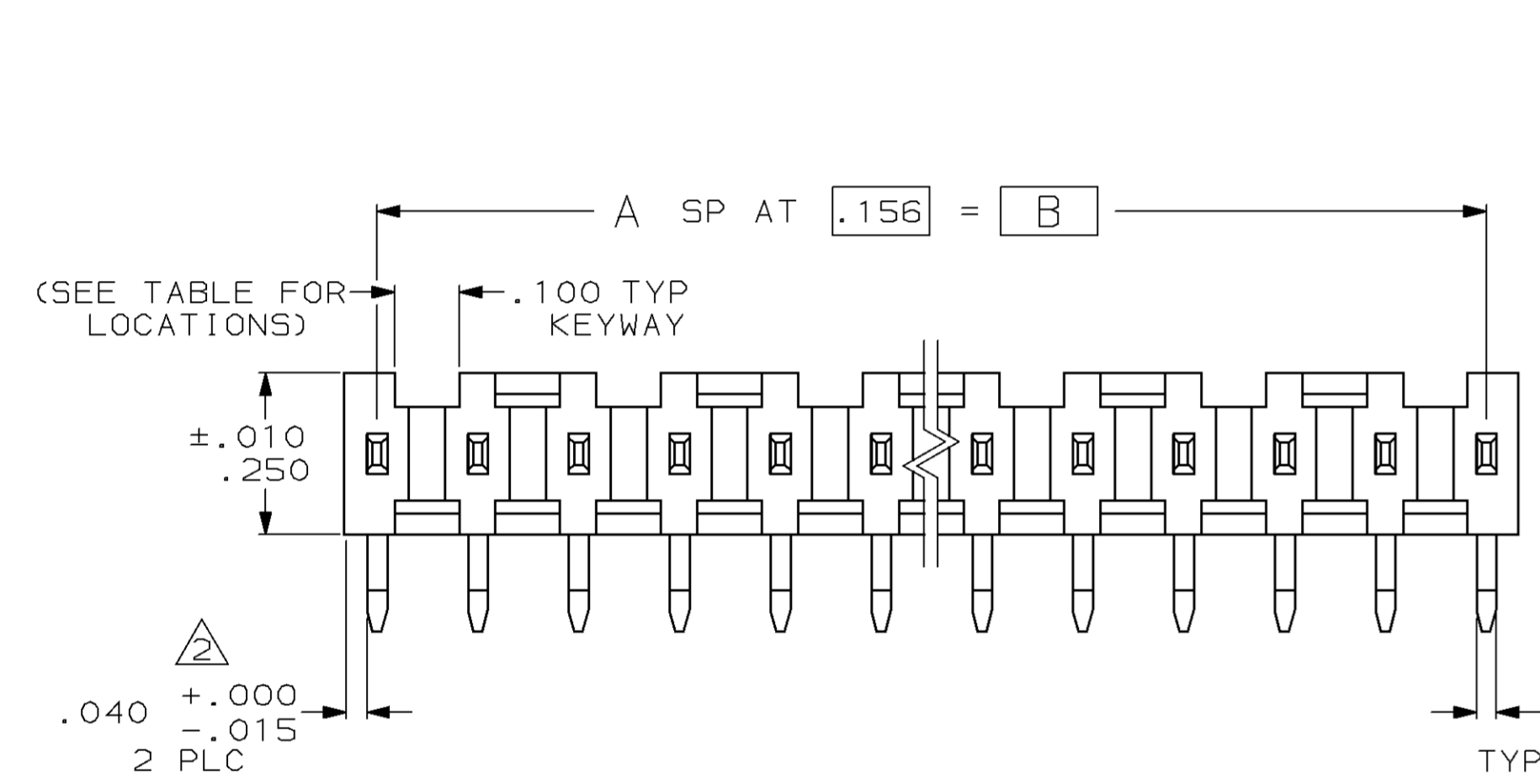
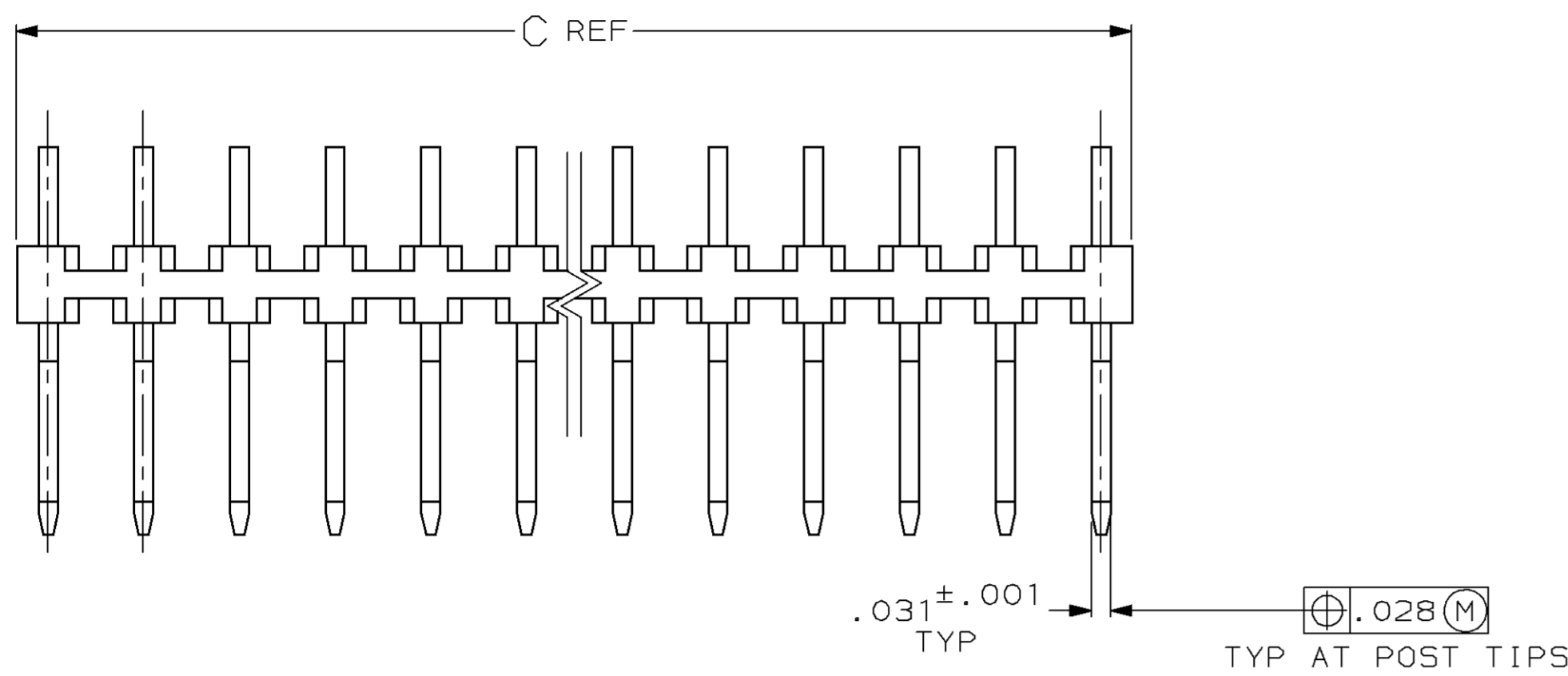
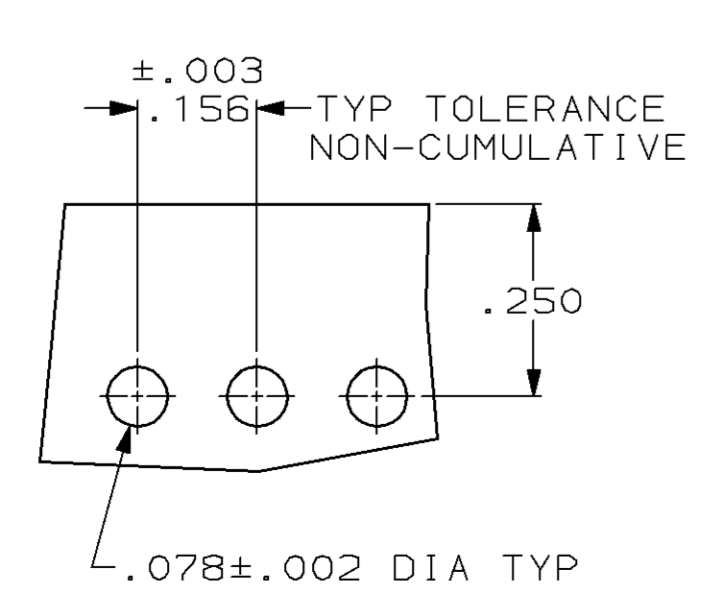
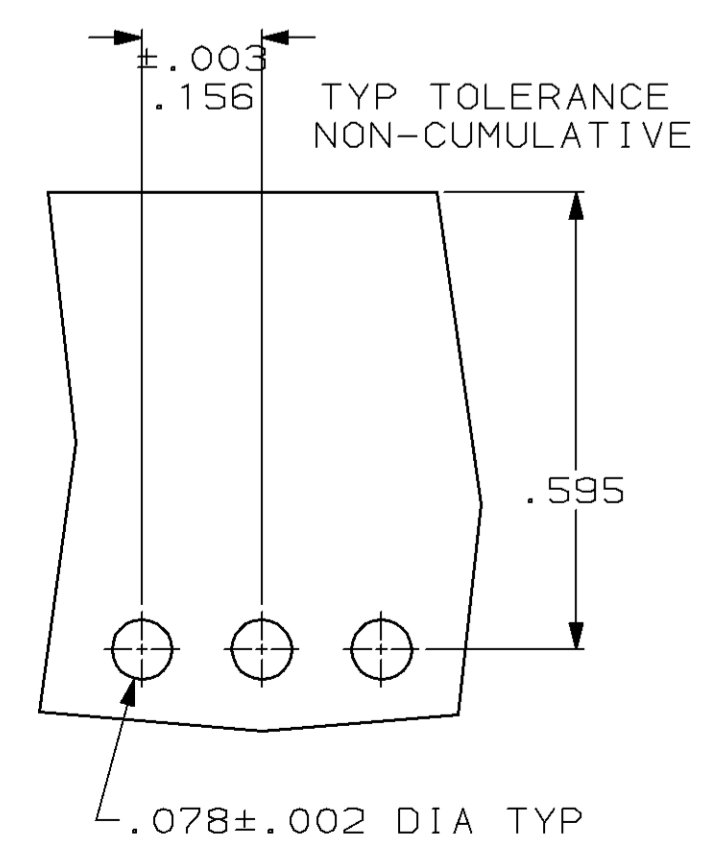


DRAWING MADE IN THIRD ANGLE PROJECTION
 THIS DRAWING IS UNPUBLISHED. RELEASED FOR PUBLICATION
 © COPYRIGHT 19 BY AMP INCORPORATED, HARRISBURG, PA. ALL INTERNATIONAL RIGHTS RESERVED. AMP PRODUCTS MAY BE COVERED BY U.S. AND FOREIGN PATENTS AND/OR PATENTS PENDING.

MOD	LOC	DIST	P	F	ZONE	LTR	DESCRIPTION	DATE	APPD
27	AD	39				B	REV & REDRAWN ECN 1413 & 1595	-	-
						C	REV ECN 1786	-	-
						D	REV ECN 1925	DR 10-17-88	-
						E	REV PER ECN AR2031	JPG 5-2-89	-
						F	REV LOC & DIST AD-4171	3-90	BF
						G	REV PER AD-5123	1-25-91	-
						H	REV PER 0010-0700-93	8-7-93	SAS
						J	REV PER 0010-1103-93	3-16-94	SAS
						K	REV PER 0010-1091-93	3-16-94	SAS
						L	REV PER 0010-0719-95	4-4-96	JH
						M	REV PER 0310-0048-97	7-11-97	JH
						N	REV PER 0310-0250-97	7-11-97	JH



- 1 THE TIPS OF THE POSTS WILL NOT BE PLATED
- 2 THE NOTED DIMENSIONS APPLY AT THE INTERSECTION OF THE POST AND THE HOUSING
- 3 POINT OF MEASUREMENT FOR PLATING THICKNESS



KEYWAY LOCATIONS (REF-SEE TABLE)
 (MATING LENGTH OF POST ON NEAR SIDE)
 SCALE: 2:1

KEYWAY LOCATIONS	NO OF KEYWAY	C	B	A	NO OF POSN	ASSEMBLY PART NUMBER
A, C, E, H, K, M, Q, S, U, W, Y	11	3.855	3.744	24	25	2-87632-5
A, C, E, G, J, L, N, O, S, U, W, Y	12	3.699	3.588	23	24	2-87632-4
A, D, G, K, N, R, U, X	8	3.543	3.432	22	23	2-87632-3
A, C, E, G, J, L, N, Q, S, U, W	11	3.387	3.276	21	22	2-87632-2
A, D, G, K, N, R, U	7	3.231	3.120	20	21	2-87632-1
A, C, E, G, J, L, N, Q, S, U	10	3.075	2.964	19	20	2-87632-0
B, D, F, J, L, N, Q, S	8	2.919	2.808	18	19	1-87632-9
A, D, F, J, M, P, S	7	2.763	2.652	17	18	1-87632-8
A, D, G, K, N, R	6	2.607	2.496	16	17	1-87632-7
A, C, E, G, J, L, N, Q	8	2.451	2.340	15	16	1-87632-6
A, D, G, K, N	5	2.295	2.184	14	15	1-87632-5
A, C, E, G, J, L, N	7	2.139	2.028	13	14	1-87632-4
A, D, J, M	4	1.983	1.872	12	13	1-87632-3
A, C, E, G, J, L	6	1.827	1.716	11	12	1-87632-2
A, D, G, K	4	1.671	1.560	10	11	1-87632-1
A, C, E, G, J	5	1.515	1.404	9	10	1-87632-0
A, D, G	3	1.359	1.248	8	9	87632-9
A, C, E, G	4	1.203	1.092	7	8	87632-8
A, C, E	3	1.047	.936	6	7	87632-7
A, C, E	3	.891	.780	5	6	87632-6
A, D	2	.735	.624	4	5	87632-5
A, C	2	.579	.468	3	4	87632-4
A	1	.423	.312	2	3	87632-3
A	1	.267	.156	1	2	87632-2

UNLESS OTHERWISE SPECIFIED DIMENSIONS ARE IN INCHES TOLERANCES ON:	DR 7-14-87 L A MAYER	AMP INCORPORATED Harrisburg, Pa. 17105
	CHK 7-14-87 J SCHIEFER	
2 PL DEC ± .005	APPD 7-14-87 J SCHIEFER	NAME HEADER ASSEMBLY, MOD I, RIGHT ANGLE, SINGLE ROW, .156¢
3 PL DEC ± .005	APPD 7-14-87 J SCHIEFER	
ANGLES ±	PRODUCT SPEC 108-25016	SIZE D FSCM NO 00779 DRAWING NO 87632
MATERIAL HOUSING - FLAME RETARDANT THERMOPLASTIC, COLOR - BLACK	APPLICATION SPEC	SCALE 4:1 SHEET 1 OF 1
POSTS - BRASS	WEIGHT	CUSTOMER DRAWING
FINISH POSTS:		
PRE-PLATED STOCK: .000015 GOLD OVER .000050 NICKEL		