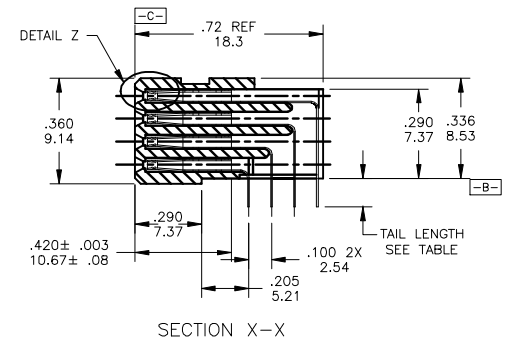
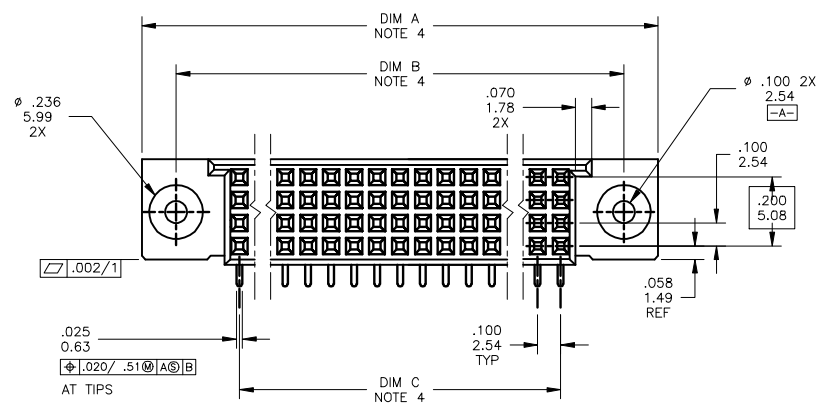
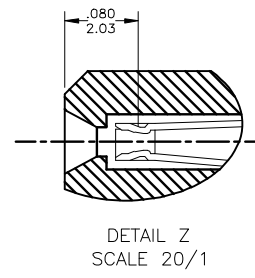
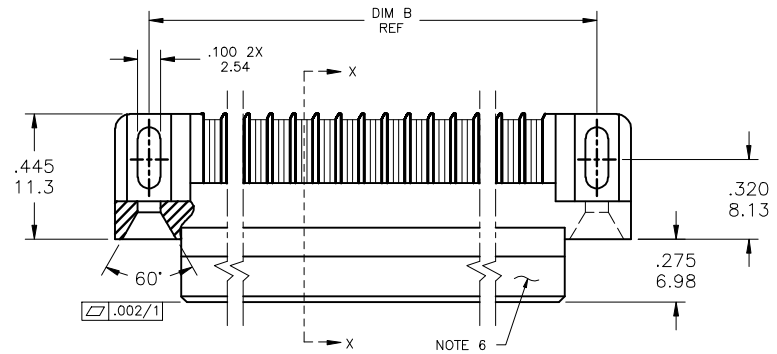


PRODUCT NUMBER
SEE NOTE 1

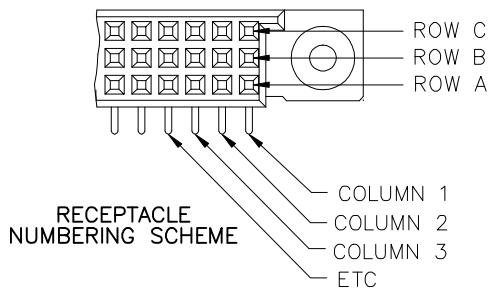


Copyright FCI

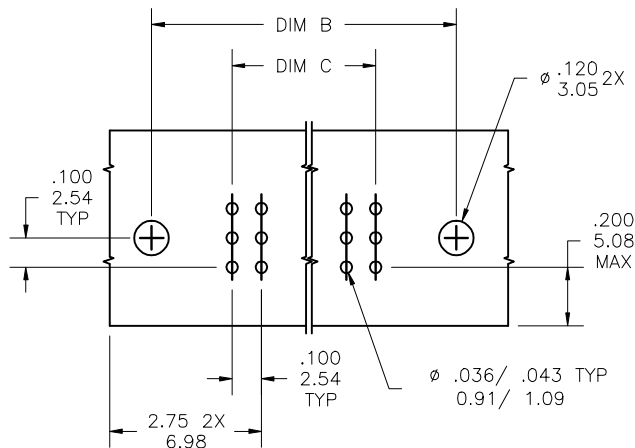
mat'l code		surface ISO 1302		tolerance ISO 406 ISO 1101		projection		product family HPC	
ltr	ecr no	dr	date	tolerances unless otherwise specified		INCH/MM		title	
B	V23371	JWB	11/5/92	angles	linear	XX±.01/XX±0.3		3 ROW R/A RECEPTACLE HSG.	
C	V92846	HTB	8/25/99	0° ± 2'		.XXX±.005/XX±0.13		CUSTOM CLOSED FOOT	
D	V02382	JRW	10/5/00			.XXXX±.0020/XXX±0.05		scale 5:1	
E	M06-0255	AGS	7/6/06	dr	D. SHEAFFER	10/9/90		dwg no	
F	M08-0308	MHT	10/23/08	engr	S. CLARK	2/25/91		sheet 1 of 2 size	
				chr	S. CLARK	10/9/90		90002 A3	
				appd	S. CLARK	2/25/91		type Product Customer Drawing	
sheet index	revision sheet	F	F						
		1	2						

form A3

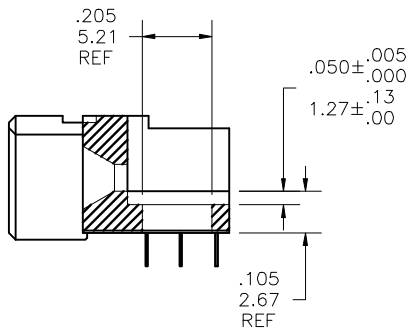
PRODUCT NUMBER	NUMBER OF POSITIONS	TAIL LENGTH ±.010/.25	CONTACT AREA PLATING NOTE 8
90002-1YYYY	YYY-NOTE 1	.125 / 3.18	30u"/.76u GOLD
90002-3YYYY	YYY-NOTE 1	.125 / 3.18	50u"/1.27u GOLD
90002-5YYYY	YYY-NOTE 1	.125 / 3.18	30u"/.76u GXT
90002-5YYYYELF	YYY-NOTE 1	.125 / 3.18	30u"/.76u GXT
90002-1YYYYF	YYY-NOTE 1	.145 / 3.68	30u"/.76u GOLD
90002-3YYYYF	YYY-NOTE 1	.145 / 3.68	50u"/1.27u GOLD
90002-5YYYYF	YYY-NOTE 1	.145 / 3.68	30u"/.76u GXT
90002-5YYYYFLF	YYY-NOTE 1	.145 / 3.68	30u"/.76u GXT
90002-1YYYYH	YYY-NOTE 1	.180 / 4.57	30u"/.76u GOLD
90002-3YYYYH	YYY-NOTE 1	.180 / 4.57	50u"/1.27u GOLD
90002-5YYYYH	YYY-NOTE 1	.180 / 4.57	30u"/.76u GXT
90002-5YYYYHLF	YYY-NOTE 1	.180 / 4.57	30u"/.76u GXT



NO. OF ROWS X COLUMNS = POSITIONS



RECOMMENDED PCB LAYOUT
(ALL HOLES LOCATED ON .100/2.54 GRID UNLESS OTHERWISE SPECIFIED)



NOTES:

- PRODUCT NUMBERING CODE:
90002- X YYY Z LF
LEAD FREE (OPTIONAL WITH GXT VERSION)
TAIL LENGTH (SEE TABLE)
NO. OF POSITIONS (NOTE 2)
PLATING (SEE TABLE)
BASE NUMBER
- THIS PRODUCT IS CONFIGURED IN SIZES OF 6 THRU 80 COLUMNS IN INCREMENTS OF ONE
IE: 6, 7, 8, 9,79, 80.
- HOUSING MAT'L: GLASS AND MINERAL FILLED HIGH TEMP. THERMOPLASTIC. FLAME RETARDANT PER UL94V-0 COLOR: BLACK
CONTACT MAT'L: BeCu
- DISTANCE CALCULATIONS:
DIMENSION "A" = .100/2.54 x NO. OF COLUMNS + .75/19.1
DIMENSION "B" = .100/2.54 x NO. OF POSITIONS + .450/11.43
DIMENSION "C" = .100/2.54 x NO. OF POSITIONS - .100/2.54.
- MANUFACTURER'S NAME AND P/N. AND LOT CODE TO APPEAR ON THIS SURFACE.
- FOR DOCUMENTATION MENU, SEE SPECIFICATION BUS-01-057.
- FOR PRODUCT PERFORMANCE SEE PRODUCT SPECIFICATION NUMBER BUS-12-090.
- PLATING OPTIONS:
MAYBE EITHER GOLD OR GXT PLATED AT MANUFACTURER CHOICE

mat'l. code		surface ISO 1302		tolerance ISO 406 ISO 1101		projection INCH/MM		product family HPC	
ltr	ecn no	dr	date	tolerances unless otherwise specified		title		3 ROW R/A RECEPTACLE HSG. CUSTOM CLOSED FOOT	
F				angles	linear	scale 5:1		dwg no 90002	
				0°±2'	XXX±.01/XX±0.3 XXX±.006/XX±0.13 XXX±.0020/XXX±0.051	sheet 2 of 2 size A3		type Product Customer Drawing	
dr	D. SHEAFFER	10/9/90		engr	S. CLARK	2/25/91			
chr	S. CLARK	10/9/90		appd	S. CLARK	2/25/91			
sheet index	revision sheet								