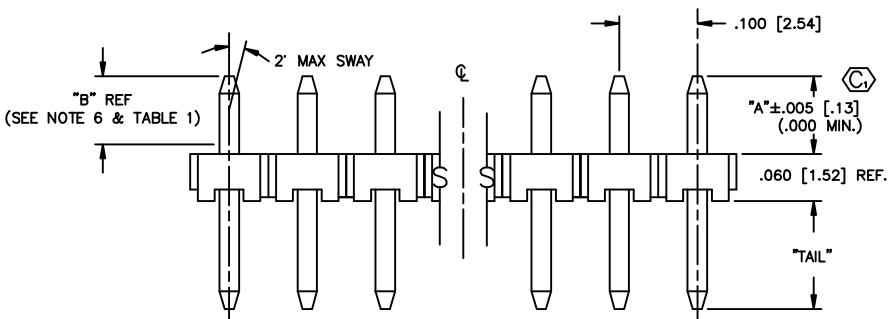
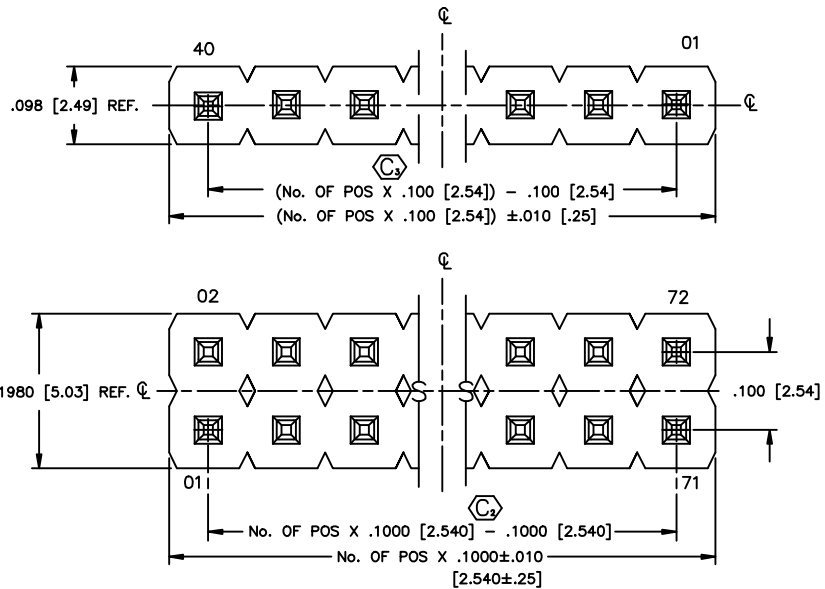


REV. T

DO NOT SCALE FROM THIS PRINT.

|                               |                                    |                |      |  |   |
|-------------------------------|------------------------------------|----------------|------|--|---|
| DIMENSIONS ARE IN INCHES      |                                    | TOLERANCES ARE |      | MODIFIED LOW PROFILE TERMINAL ASSEMBLY | DWG NO:<br>MTLW-1XX-XX-XX-X-XXX-XX-XX<br>SHEET 1 OF 2 |
| ONE PLACE DECIMALS ± .1 [3]   | THREE PLACE DECIMALS ± .005 [.13]  | ANGLES         | ± 2° |  |   |
| TWO PLACE DECIMALS ± .01 [.3] | FOUR PLACE DECIMALS ± .0020 [.051] |                |      |  |   |



MTLW-1XX-XX-XX-X-XXX-XX-XX

**No. OF POSITIONS**  
-01 THRU -40 (SINGLE)  
-01 THRU -36 (DOUBLE)

**LEAD STYLE**  
SEE TABLE 1

**PLATING SPECIFICATION**

**OPTION #2**  
-POLARIZING SPEC.  
XX INDICATES POS. TO BE OMITTED

**OPTION #1**  
-BLANK-STRAIGHT  
-LL: LOCKING LEADS (SEE FIG 1, SHT2)  
(TAIL: MIN OF .090 [2.29], MAX OF .310 [7.87])

**POST HEIGHT**  
XXX= (.000) MIN. - (L-.060) MAX  
(SEE TABLE 1 "A" FOR .090 TAIL REF)

**ROW SPECIFICATION**  
-S: SINGLE  
-D: DOUBLE

**PLATING SPECIFICATION**  
-G: GOLD, 10 Au / 50 Ni MIN ON CONTACT,  
3 Au / 50 Ni MIN ON TAIL  
-T: MATTE TIN CONTACT AND TAIL  
-S: SELECTIVE, 30 Au / 50 Ni MIN ON CONTACT,  
MATTE TIN TAIL  
-H: HEAVY GOLD, 30 Au / 50 Ni MIN ON CONTACT,  
3 Au / 50 Ni MIN ON TAIL  
-F: FLASH SELECTIVE, 3 Au / 50 Ni MIN ON CONTACT,  
MATTE TIN TAIL  
-L: LIGHT SELECTIVE, 10 Au / 50 Ni ON CONTACT,  
MATTE TIN TAIL  
-TM: MATTE TIN CONTACT AND TAIL  
-SM: SELECTIVE, 30 Au / 50 Ni ON CONTACT,  
MATTE TIN TAIL  
-LM: LIGHT SELECTIVE, 10 Au / 50 Ni MIN ON CONTACT,  
MATTE TIN TAIL  
-FM: FLASH SELECTIVE, 3 Au / 50 Ni MIN ON CONTACT,  
MATTE TIN TAIL

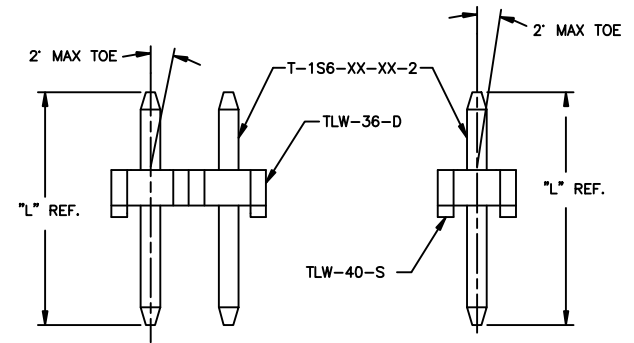


TABLE 1

| LEAD STYLE | TERMINAL      | "L"          | "A" (FOR .090 [2.29] TAIL) | "B"         |
|------------|---------------|--------------|----------------------------|-------------|
| -05        | T-1S6-21-XX-2 | .335 [8.51]  | .185 [4.70]                | .050 [4.19] |
| -06        | T-1S6-18-XX-2 | .300 [7.62]  | .150 [3.81]                | .050 [4.19] |
| -07        | T-1S6-07-XX-2 | .430 [10.92] | .280 [7.11]                | .165 [4.19] |
| -08        | T-1S6-08-XX-2 | .530 [13.46] | .380 [9.65]                | .165 [4.19] |
| -09        | T-1S6-09-XX-2 | .730 [18.54] | .580 [14.73]               | .165 [4.19] |
| -10        | T-1S6-10-XX-2 | .830 [21.08] | .680 [17.27]               | .165 [4.19] |
| -22        | T-1S6-15-XX-2 | .630 [16.00] | .480 [12.19]               | .165 [4.19] |
| -23        | T-1S6-16-XX-2 | .445 [11.30] | .295 [7.49]                | .165 [4.19] |
| -24        | T-1S6-17-XX-2 | .480         | .330                       | .165        |

- NOTES:
- 1.) MAX ALLOWABLE BOW AFTER ASSEMBLY: .005 [.13] IN/IN.
  - 2.) TERMINAL PUSHOUT FORCE: 2 lbs. MIN.
  - 3.) MAX PIN ROTATION IN BODY: 2°.
  - 4.) Ⓞ REPRESENTS A CRITICAL DIMENSION
  - 5.) MAX CUT FLASH .010 [.25].
  - 6.) GOLD CONTACT AREA LOCATION FOR G, H, S, L, & F PLATINGS.
  - 7.) ORIENTATE PINS TO REDUCE THE NUMBER OF BANDOLIER MARKS IN THE POST AREA. (SEE TABLE 2)

**PROPRIETARY NOTE**  
THIS DOCUMENT CONTAINS INFORMATION CONFIDENTIAL AND PROPRIETARY TO SAMTEC INC. AND SHALL NOT BE REPRODUCED OR TRANSMITTED IN ANY FORM OR BY ANY MEANS, ELECTRONIC OR MECHANICAL, INCLUDING PHOTOCOPYING, RECORDING, OR BY ANY INFORMATION STORAGE AND RETRIEVAL SYSTEM, WITHOUT THE WRITTEN CONSENT OF SAMTEC INC.

|   |  |                           |                    |
|---|--|---------------------------|--------------------|
| <b>MATERIAL:</b><br>LCP, UL 94 VO<br>COLOR: BLACK   |  |                           |                    |
| 520 PARK EAST BLVD. NEW ALBANY, INDIANA 47150<br>PHONE (812) 944-6733 P.O. BOX 1147<br>CODE 55322 |  |                           |                    |
| <b>TERMINALS:</b><br>PHOSPHOR BRONZE, ALLOY<br>NO. 510, 3/4 HARD,<br>TENSILE RANGE 95-105 KSI     |  | MADE BY: REIDINGER 6-5-91 | ENG. APPROVAL: DEM |
| CHECKED BY: MCCARTIN  |  | SHEET 1 OF 2              |                    |