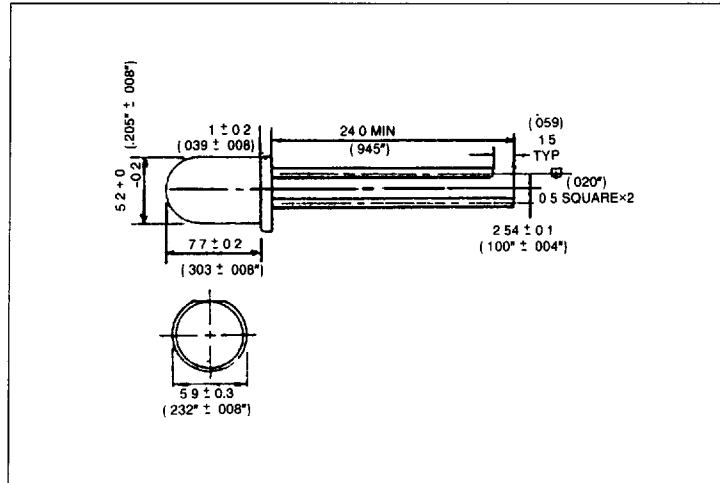


Specialty LEDs/Integrated Resistor LED Lamps

FEATURES

- Choice of red, green, yellow and orange on popular T- 1 3/4 package
- Diffused package
- Available with a 5-volt or 12-volt resistor
- Self-contained current limiting resistor
- TTL compatible
- Solid state reliability
- Saves space and labor



MAXIMUM RATINGS (Ta = 25°C)

PART NO.	FORWARD CURRENT (I _F) (mA)	REVERSE VOLTAGE (V _R) (V)	POWER DISSIPATION (P _D) (mW)	OPERATING TEMPERATURE (T _{opr}) (°C)	STORAGE TEMPERATURE (T _{stg}) (°C)
MT1118G-5VR	7	8	240	-25~+85	-25~+100
MT1118-5VR	6.7	7	240	-25~+85	-25~+100
MT2118-5VG	7	8	240	-25~+85	-25~+100
MT3118-5VY	7	8	240	-25~+85	-25~+100
MT4118-5VO	7	8	240	-25~+85	-25~+100
MT4118-5VHR	7	8	240	-25~+85	-25~+100
MT1118G-12VR	15	17	240	-25~+85	-25~+100
MT1118-12VR	14.7	15	240	-25~+85	-25~+100
MT2118-12VG	15	17	240	-25~+85	-25~+100
MT3118-12VY	15	17	240	-25~+85	-25~+100
MT4118-12VO	15	17	240	-25~+85	-25~+100
MT4118-12VHR	15	17	240	-25~+85	-25~+100

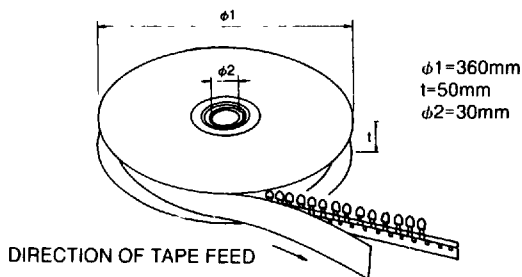
OPTO-ELECTRICAL CHARACTERISTICS (Ta = 25°C)

PART NO.	MATERIAL	LENS COLOR	VIEWING ANGLE	LUMINOUS INTENSITY (mcd)			FORWARD CURRENT (mA)		REVERSE CURRENT		PEAK WAVELENGTH (nm)	SPEC. LINE HALF WIDTH (nm)
				typ.	min.	typ. @V	typ.	@V	μA	V _r		
MT1118G-5VR	GaP/GaP	Red Diff	40°	1.3	2.2	5	10	5	100	8	700	100
MT1118-5VR	GaAsP/GaAs	Red Diff	40°	1.02	1.7	5	10	5	100	7	655	40
MT2118-5VG	GaP/GaP	Green Diff	40°	2.3	3.9	5	10	5	100	8	567	25
MT3118-5VY	GaAsP/GaP	Yellow Diff	40°	2.0	3.4	5	10	5	100	8	585	32
MT4118-5VO	GaAsP/GaP	Orange Diff	40°	2.7	4.5	5	10	5	100	8	635	40
MT4118-5VHR	GaAsP/GaP	Red Diff	40°	2.7	4.5	5	10	5	100	8	635	40
MT1118G-12VR	GaP/GaP	Red Diff	40°	1.3	2.2	12	10	12	100	17	700	100
MT1118-12VR	GaAsP/GaAs	Red Diff	40°	1.02	1.7	12	10	12	100	15	655	40
MT2118-12VG	GaP/GaP	Green Diff	40°	2.3	3.9	12	10	12	100	17	567	25
MT3118-12VY	GaAsP/GaP	Yellow Diff	40°	2.0	3.4	12	10	12	100	17	585	32
MT4118-12VO	GaAsP/GaP	Orange Diff	40°	2.7	4.5	12	10	12	100	17	635	40
MT4118-12VHR	GaAsP/GaP	Red Diff	40°	2.7	4.5	12	10	12	100	17	635	40

APPLICATION NOTES

[4] Packaging Reel Packaging

a) Reel type



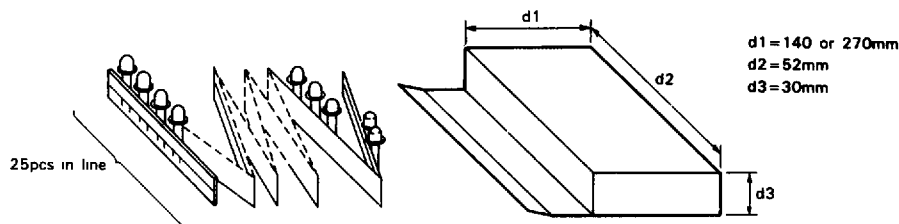
Content

LED Type	Quantity/Reel
$\phi 3$ Series	2000 pcs
$\phi 5$ Series	1000 pcs

T-1 and T- 1 3/4 packages

*Lamps with external shapes other than those above are also available. Please consult Marktech.

b) Zigzag wound tape



At tape beginning and end, there is additional space for 4 pcs or more

Content

LED Type	Quantity/Box
$\phi 3$ Series	2000 or 5000 pcs
$\phi 5$ Series	1000 or 2000 pcs



marktech

5 Hemlock Street • Latham, New York • (518) 786-6591 • FAX (518) 786-6599