

## .100" CENTERLINE .200" ROW-TO-ROW STRAIGHT DIP SOLDER AND WIRE WRAP TAILS



### PHYSICAL PROPERTIES

INSULATION RESISTANCE: 5000 megohms minimum.  
INSERTION/WITHDRAWAL FORCE (DAUGHTER CARD):  
8 oz./2oz. average contact pair using .0620 steel blade.

INSULATOR BODY: Glass filled thermoplastic,  
UL rating 94V-O. High temp. plastic option is  
available; add suffix M399 to catalog number.

COLOR: Black

CONTACTS: High strength copper alloy.

CONTACT PLATING: 50 microinches nickel  
underplate with 30 microinches gold in the mating  
area, tin/lead on tails, 100 microinches minimum

### ELECTRICAL PROPERTIES

OPERATION VOLTAGE: 600 VDC (sea level)

CURRENT RATING: 3 Amperes

INITIAL CONTACT RESISTANCE: 10 milliohms

### ENVIRONMENTAL PROPERTIES

OPERATING TEMPERATURE: -55°C to +125°C

TEMPERATURE CYCLING: MIL-STD-202 method 107

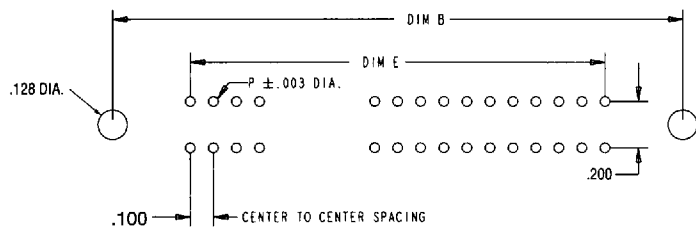
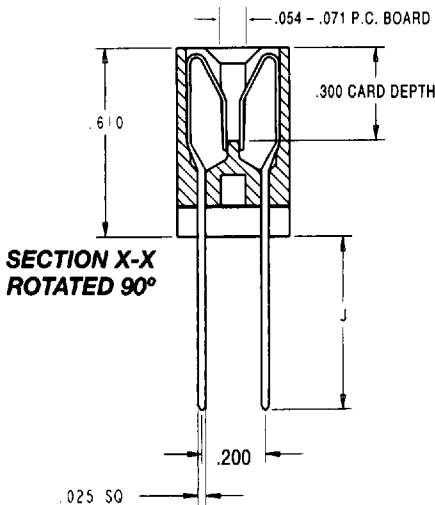
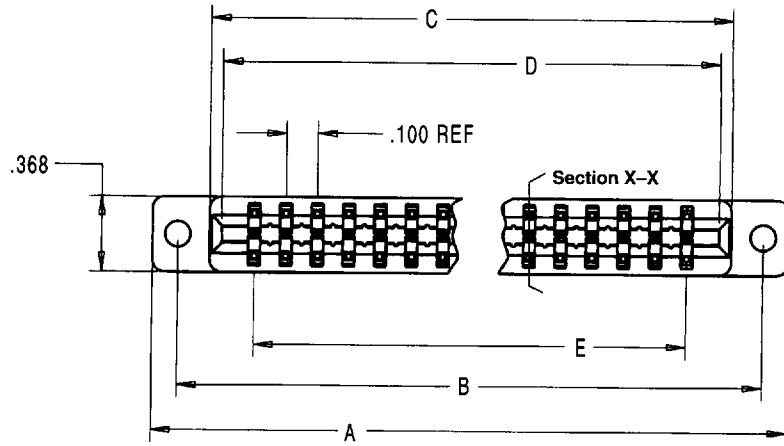
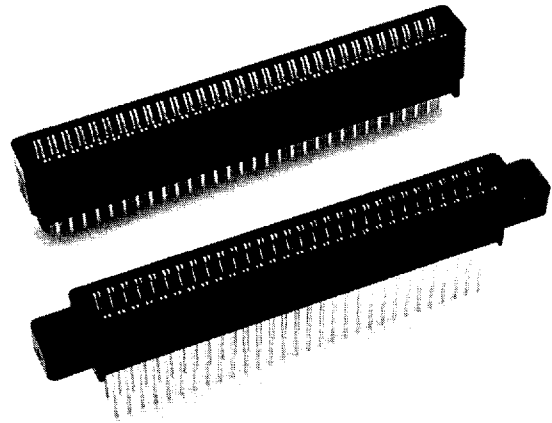
VIBRATION: MIL-STD-202 method 204

### ACCESSORIES

POLARIZATION KEY: Cat. # 98014-01, see page 372

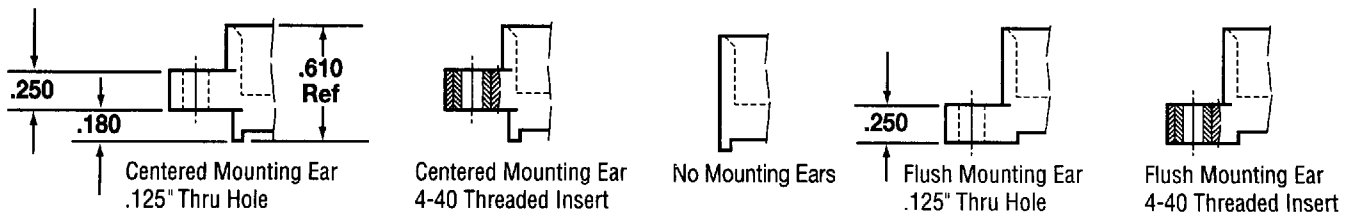
### DAUGHTER CARD

See page 373 for layout



P=.040 DIP SOLDER APPLICATIONS  
P=.042 FOR WIRE WRAP APPLICATIONS

### Mounting Styles



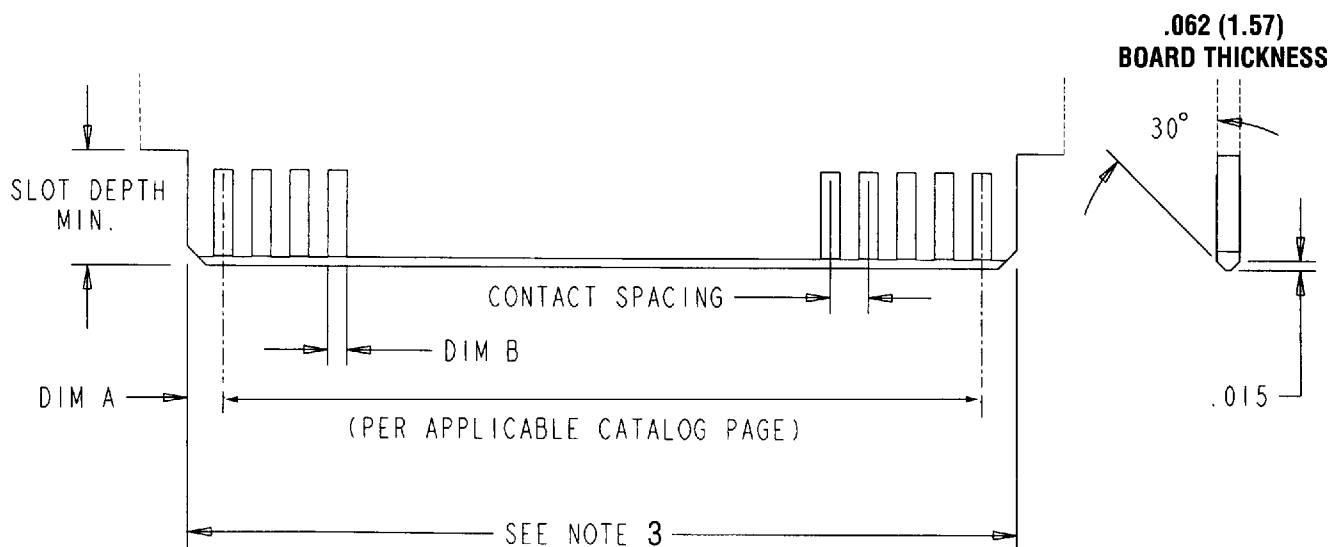
## ORDERING INFORMATION -

.100" CENTERLINE / .200" ROW-TO-ROW

NO. OF DUAL READOUT POSITIONS	CENTERED MOUNTING EAR .125" THRU HOLE	MOUNTING EAR OPTIONS				A	B	C	D	E
		CENTERED MOUNTING EAR 4-40 THREADED INSERT	NO MOUNTING EARS	FLUSH MOUNTING EAR .125" THRU HOLE	FLUSH MOUNTING EAR 4-40 THREADED INSERT					
<b>TAIL LENGTH .160 (DIM "J")</b>										
10	A8D10DS29A2	A8D10DS29B2	A8D10DS29C2	A8D10DS29D2	A8D10DS29E2	1.835	1.575	1.260	1.100	0.900
12	A8D12DS29A2	A8D12DS29B2	A8D12DS29C2	-	-	2.035	1.775	1.460	1.300	1.100
15	A8D15DS29A2	A8D15DS29B2	A8D15DS29C2	A8D15DS29D2	A8D15DS29E2	2.335	2.075	1.760	1.600	1.400
18	A8D18DS29A2	A8D18DS29B2	A8D18DS29C2	A8D18DS29D2	A8D18DS29E2	2.635	2.375	2.060	1.900	1.700
20	A8D20DS29A2	A8D20DS29B2	A8D20DS29C2	-	-	2.835	2.575	2.260	2.100	1.900
22	A8D22DS29A2	A8D22DS29B2	A8D22DS29C2	-	-	3.035	2.775	2.460	2.300	2.100
25	A8D25DS29A2	A8D25DS29B2	A8D25DS29C2	A8D25DS29D2	A8D25DS29E2	3.335	3.075	2.760	2.600	2.400
28	A8D28DS29A2	A8D28DS29B2	A8D28DS29C2	-	-	3.635	3.375	3.060	2.900	2.700
30	A8D30DS29A2	A8D30DS29B2	A8D30DS29C2	A8D30DS29D2	A8D30DS29E2	3.835	3.575	3.260	3.100	2.900
31	A8D31DS29A2	A8D31DS29B2	A8D31DS29C2	A8D31DS29D2	A8D31DS29E2	3.935	3.675	3.360	3.200	3.100
35	A8D35DS29A2	A8D35DS29B2	A8D35DS29C2	-	-	4.335	4.075	3.760	3.600	3.400
36	A8D36DS29A2	A8D36DS29B2	A8D36DS29C2	-	-	4.435	4.175	3.860	3.700	3.500
40	A8D40DS29A2	A8D40DS29B2	A8D40DS29C2	-	-	4.835	4.575	4.260	4.100	3.900
43	A8D43DS29A2	A8D43DS29B2	A8D43DS29C2	-	-	5.135	4.875	4.560	4.400	4.200
44	A8D44DS29A2	A8D44DS29B2	A8D44DS29C2	-	-	5.235	4.975	4.660	4.500	4.300
50	A8D50DS29A2	A8D50DS29B2	A8D50DS29C2	A8D50DS29D2	A8D50DS29E2	5.835	5.575	5.260	5.100	4.800
60	A8D60DS29A2	A8D60DS29B2	A8D60DS29C2	-	-	6.835	6.575	6.260	6.100	5.900
65	A8D65DS29A2	A8D65DS29B2	A8D65DS29C2	A8D65DS29D2	A8D65DS29E2	7.335	7.075	6.760	6.600	6.400
<b>TAIL LENGTH .220 (DIM "J")</b>										
10	A8D10DS29A3	A8D10DS29B3	A8D10DS29C3	A8D10DS29D3	A8D10DS29E3	1.835	1.575	1.260	1.100	0.900
12	A8D12DS29A3	A8D12DS29B3	A8D12DS29C3	-	-	2.035	1.775	1.460	1.300	1.100
15	A8D15DS29A3	A8D15DS29B3	A8D15DS29C3	A8D15DS29D3	A8D15DS29E3	2.335	2.075	1.760	1.600	1.400
18	A8D18DS29A3	A8D18DS29B3	A8D18DS29C3	A8D18DS29D3	A8D18DS29E3	2.635	2.375	2.060	1.900	1.700
20	A8D20DS29A3	A8D20DS29B3	A8D20DS29C3	-	-	2.835	2.575	2.260	2.100	1.900
22	A8D22DS29A3	A8D22DS29B3	A8D22DS29C3	-	-	3.035	2.775	2.460	2.300	2.100
25	A8D25DS29A3	A8D25DS29B3	A8D25DS29C3	A8D25DS29D3	A8D25DS29E3	3.335	3.075	2.760	2.600	2.400
28	A8D28DS29A3	A8D28DS29B3	A8D28DS29C3	-	-	3.635	3.375	3.060	2.900	2.700
30	A8D30DS29A3	A8D30DS29B3	A8D30DS29C3	A8D30DS29D3	A8D30DS29E3	3.835	3.575	3.260	3.100	2.900
31	A8D31DS29A3	A8D31DS29B3	A8D31DS29C3	A8D31DS29D3	A8D31DS29E3	3.935	3.675	3.360	3.200	3.100
35	A8D35DS29A3	A8D35DS29B3	A8D35DS29C3	-	-	4.335	4.075	3.760	3.600	3.400
36	A8D36DS29A3	A8D36DS29B3	A8D36DS29C3	-	-	4.435	4.175	3.860	3.700	3.500
40	A8D40DS29A3	A8D40DS29B3	A8D40DS29C3	-	-	4.835	4.575	4.260	4.100	3.900
43	A8D43DS29A3	A8D43DS29B3	A8D43DS29C3	-	-	5.135	4.875	4.560	4.400	4.200
44	A8D44DS29A3	A8D44DS29B3	A8D44DS29C3	-	-	5.235	4.975	4.660	4.500	4.300
50	A8D50DS29A3	A8D50DS29B3	A8D50DS29C3	A8D50DS29D3	A8D50DS29E3	5.835	5.575	5.260	5.100	4.800
60	A8D60DS29A3	A8D60DS29B3	A8D60DS29C3	-	-	6.835	6.575	6.260	6.100	5.900
65	A8D65DS29A3	A8D65DS29B3	A8D65DS29C3	A8D65DS29D3	A8D65DS29E3	7.335	7.075	6.760	6.600	6.400
<b>TAIL LENGTH .560 (DIM "J") FOR WIRE WRAP TERMINATION</b>										
10	A8D10WW29A3	A8D10WW29B3	-	-	-	1.835	1.575	1.260	1.100	0.900
12	A8D12WW29A3	A8D12WW29B3	-	-	-	2.035	1.775	1.460	1.300	1.100
15	A8D15WW29A3	A8D15WW29B3	-	-	-	2.335	2.075	1.760	1.600	1.400
18	A8D18WW29A3	A8D18WW29B3	-	-	-	2.635	2.375	2.060	1.900	1.700
20	A8D20WW29A3	A8D20WW29B3	-	-	-	2.835	2.575	2.260	2.100	1.900
22	A8D22WW29A3	A8D22WW29B3	-	-	-	3.035	2.775	2.460	2.300	2.100
25	A8D25WW29A3	A8D25WW29B3	-	-	-	3.335	3.075	2.760	2.600	2.400
28	A8D28WW29A3	A8D28WW29B3	-	-	-	3.635	3.375	3.060	2.900	2.700
30	A8D30WW29A3	A8D30WW29B3	-	-	-	3.835	3.575	3.260	3.100	2.900
31	A8D31WW29A3	A8D31WW29B3	-	-	-	3.935	3.675	3.360	3.200	3.100
35	A8D35WW29A3	A8D35WW29B3	-	-	-	4.335	4.075	3.760	3.600	3.400
36	A8D36WW29A3	A8D36WW29B3	-	-	-	4.435	4.175	3.860	3.700	3.500
40	A8D40WW29A3	A8D40WW29B3	-	-	-	4.835	4.575	4.260	4.100	3.900
43	A8D43WW29A3	A8D43WW29B3	-	-	-	5.135	4.875	4.560	4.400	4.200
44	A8D44WW29A3	A8D44WW29B3	-	-	-	5.235	4.975	4.660	4.500	4.300
50	A8D50WW29A3	A8D50WW29B3	-	-	-	5.835	5.575	5.260	5.100	4.800
60	A8D60WW29A3	A8D60WW29B3	-	-	-	6.835	6.575	6.260	6.100	5.900
65	A8D65WW29A3	A8D65WW29B3	-	-	-	7.335	7.075	6.760	6.600	6.400

# CARDEDGE CONNECTORS RECOMMENDED DAUGHTER CARD LAYOUT

PER MIL-C-21097E



**Daughter Card**

CONTACT SPACING NON-ACCUM.	DIM A ±.005 (.13)	DIM B
.100 (2.54)	.093 (2.36)	.052 (1.32)
.125 (3.18)	.093 (2.36)	.052 (1.32)
.156 (3.96)	.105* (2.67)	.094 (2.39)

\* Except MIL-C-21097E 8-4 which is .070 (1.78)

**NOTES:**

1. Dimensions are in inches
2. Unless otherwise specified, tolerance is ±.005 (0.13 mm) for three place decimals.
3. Number of contact fingers shall be the same as the corresponding printed wiring connector.