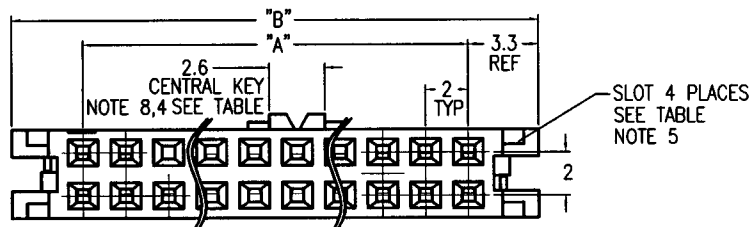
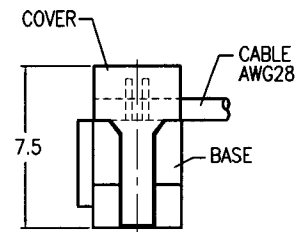
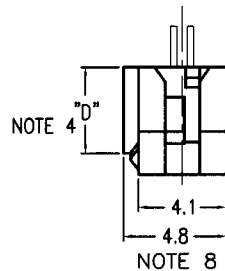
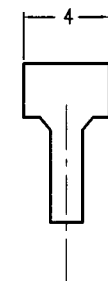
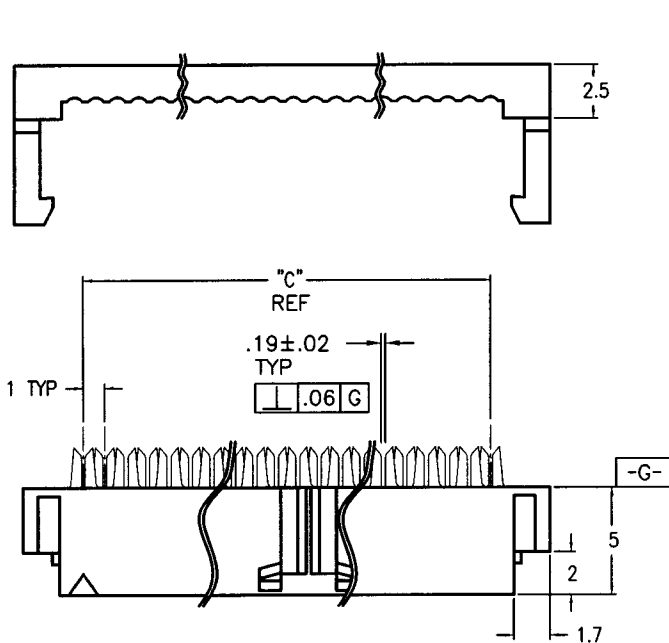


Tous droits strictement réservés. Reproduction ou communication a des tiers interdite sous quelque forme que ce soit sans autorisation écrite du propriétaire.
 Propriété de ©BERG ELECTRONICS. Droits de reproduction BERG ELECTRONICS INC.

All rights strictly reserved. Reproduction or issue to third parties in any form whatever is not permitted without written authority from the proprietor.
 Property of ©BERG ELECTRONICS Copyright BERG ELECTRONICS INC.

BERG
ELECTRONICS

PRODUCT NO.
SEE TABLE



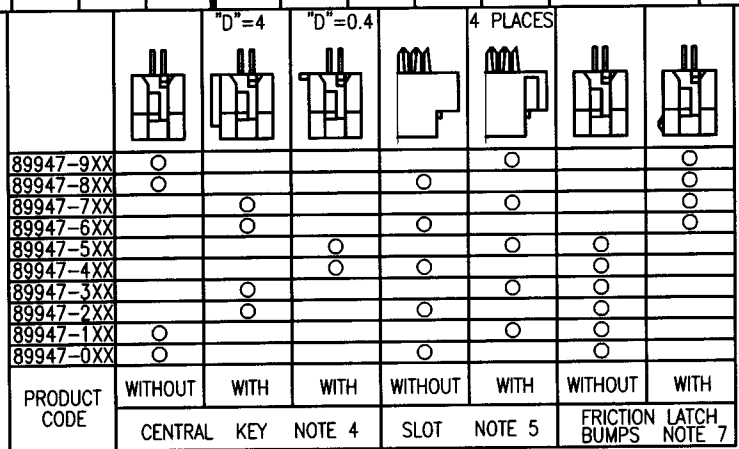
mat'l. code SEE NOTES 1 & 2				tolerances unless otherwise specified		CUSTOMER COPY	BERG ELECTRONICS	
ltr	ecn no	dr	date	linear	.X ±.3		projection 	title
A	V31375	MSC	10/18/93		.XX ±.13			2MM IDC
B	V40315	MSC	2/22/94	angles	.XXX ±.051		scale 1:1	(0.76u / 30u" m Au)
C	V40755	MSC	5/20/94		0° ±2'	product family size		IDC
D	V61622	LSS	11/11/96	dr	M.CHIBANA 10/21/91		A4	89947
E	V70495	MSC	6/3/97	enrg	N.YAMAMOTO 10/24/91	sheet		1 of 2
				chr	M.YAMADA 10/24/91	dwg no		
				appd	T.ZUMIDA 10/24/91	sheet		
sheet	revision	E	E			cage code		
index	sheet	1	2			22526		

Tous droits strictement réservés. Reproduction ou communication à des tiers interdite sous quelque forme que ce soit sans autorisation écrite du propriétaire.
 Property of © BERG ELECTRONICS. Droits de reproduction BERG ELECTRONICS INC.

BERG
ELECTRONICS

All rights strictly reserved. Reproduction or issue to third parties in any form whatever is not permitted without written authority from the proprietor.
 Property of © BERG ELECTRONICS Copyright BERG ELECTRONICS INC.

PRODUCT NUMBER	POS.	"A"	"B"	"C"	3 4								
					"D"=4		"D"=0.4		4 PLACES				
	2X 1												
	2X 2												
89947-X06	2X 3	4	10.6	5									
89947-X08	2X 4	6	12.6	7									
89947-X10	2X 5	8	14.6	9									
89947-X12	2X 6	10	16.6	11									
89947-X14	2X 7	12	18.6	13									
89947-X16	2X 8	14	20.6	15									
89947-X18	2X 9	16	22.6	17									
89947-X20	2X10	18	24.6	19									
89947-X22	2X11	20	26.6	21									
89947-X24	2X12	22	28.6	23									
89947-X26	2X13	24	30.6	25									
89947-X28	2X14	26	32.6	27									
89947-X30	2X15	28	34.6	29									
	2X16												
89947-X34	2X17	32	38.6	33									
89947-X36	2X18	34	40.6	35									
	2X19												
89947-X40	2X20	38	44.6	39									
	2X21												
89947-X44	2X22	42	48.6	43									
	2X23												
89947-X48	2X24	46	52.6	47									
89947-X50	2X25	48	54.6	49									
	2X26												
	2X27												
	2X28												
	2X29												
89947-X60	2X30	58	64.6	59									
	2X31												
89947-X64	2X32	62	68.6	63									
	2X33												
89947-X68	2X34	66	72.6	67									
	2X35												
	2X36												



- NOTE :
- ① MATL : TERMINAL PHOSPHOR BRONZE
BASE COVER : G.F.PBT.UL94V-0.BLACK
 - ② PLATING : GOLD 0.76u m MIN. ON CONTACT AREA
NICKEL 1.25u m MIN. UNDERPLATING ALL OVER
 - 3 RECOMMENDED CABLE SIZE : AWG28
 - ④ SHOWS CENTRAL KEY.
SEE TABLE
 - ⑤ SHOWS SLOT
SEE TABLE
 - 6 GENERAL TOLERANCE : ±0.25
 - ⑦ SHOWS FRICTION LATCH BUMPS. SIZE 2X3 AND 2X4
DO NOT HAVE TRIANGLE SHOWING POS#1.
 - ⑧ KEY WIDTH AND THICKNESS ARE REDUCED ON 2x3
SIZE CONNECTORS. (WIDTH=2.0, THICKNESS=4.6).

matl. code				tolerances unless otherwise specified				CUSTOMER COPY		BERG ELECTRONICS	
ltr	ecn no	dr	date	linear	.X ±.3		projection	title		2MM IDC (0.76u / 30u" m Au)	
E					.XX ±.13						
				angles	.XXX ±.051		mm	product family		IDC	
					0° ±2°						
				dr	M.CHIBANA	10/21/91	scale	A4		89947	
				enrg	N.YAMAMOTO	10/24/91					
				chr	M.YAMADA	10/24/91					
				appd	T.IZUMIDA	10/24/91					
sheet index	revision sheet						1:1			code sheet 2 of	