

## FEATURES AND SPECIFICATIONS

### Features and Benefits

- Sizes 2 to 25 circuits
- Front polarizing ribs prevent pin damage during disconnect, housing cannot be twisted off pins
- Piercing crimp provides 3 high-pressure interfaces with the conductor
- Terminals preloaded into housing

### Reference Information

Product Specification: PS-40556

Packaging: Tube

Tooling Information: See end of section

UL File No.: E29179

CSA File No.: LR19980

Mates With: 70544, 70546 straight and 70554, 70556 right angle polarized headers

Designed In: Inches

### Electrical

Voltage: 250V

Current: 2.0A (for Copper conductors)

Contact Resistance: 10mΩ max.

Dielectric Withstanding Voltage: 1500V

Insulation Resistance: 1000 MΩ min.

### Mechanical

Contact Retention to Housing: 13.34N (3 lb) min.

Mating Force: 2.22N (.50 lb) max.

Unmating Force: 0.28N (.06 lb) min.

Wire Pull-Out Force: 26.69N (6 lb)

Durability: Tin/Lead—25 cycles max.

Gold—50 cycles max.

### Physical

Housing: Polyester, UL 94V-0

Contact: Phosphor Bronze

Plating: See Table

Operating Temperature: -40 to +105°C



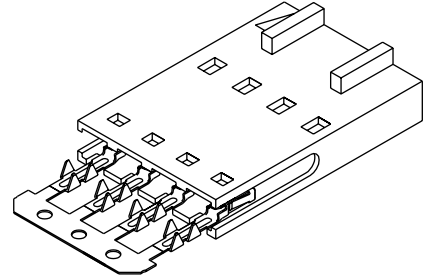
2.54mm (.100") Pitch

SL™

FFC/FPC Connector

70430

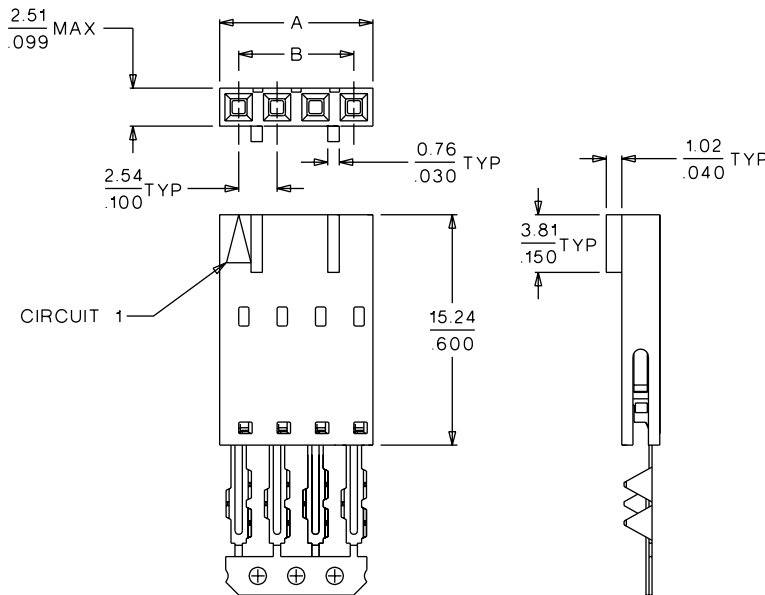
Single Row, Female  
Version C



FFC/FPC Connectors

G

## CATALOG DRAWING (FOR REFERENCE ONLY)

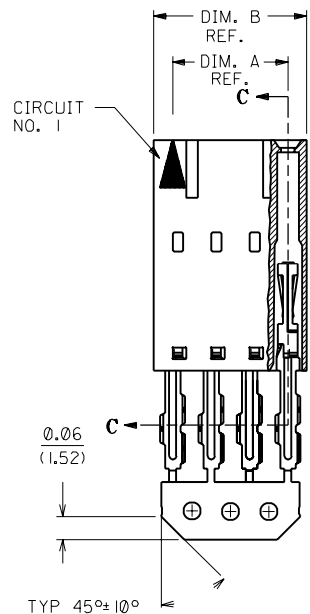
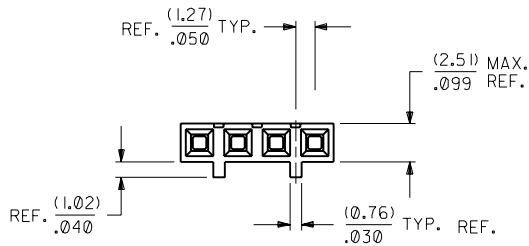


## ORDERING INFORMATION AND DIMENSIONS

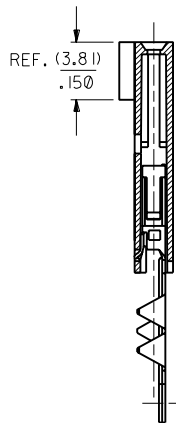
Circuits	Order No.			Dimension	
	15μ" Gold	30μ" Gold	150μ" Tin/lead	A	B
2	15-47-4021	15-47-4025	15-38-8027	5.05 (.199)	2.54 (.100)
3	15-47-4031	15-47-4035	15-38-8037	7.59 (.299)	5.08 (.200)
4	15-47-4041	15-47-4045	15-38-8047	10.13 (.399)	7.62 (.300)
5	15-47-4051	15-47-4055	15-38-8057	12.67 (.499)	10.16 (.400)
6	15-47-4061	15-47-4065	15-38-8067	15.21 (.599)	12.70 (.500)
7	15-47-4071	15-47-4075	15-38-8077	17.75 (.699)	15.24 (.600)
8	15-47-4081	15-47-4085	15-38-8087	20.29 (.799)	17.78 (.700)
9	15-47-4091	15-47-4095	15-38-8097	22.83 (.899)	20.32 (.800)
10	15-47-4101	15-47-4105	15-38-8107	25.37 (.999)	22.86 (.900)
11	15-47-4111	15-47-4115	15-38-8117	27.91 (1.099)	25.40 (1.000)
12	15-47-4121	15-47-4125	15-38-8127	30.45 (1.199)	27.94 (1.100)
13	15-47-4131	15-47-4135	15-38-8137	32.99 (1.299)	30.48 (1.200)

Circuits	Order No.			Dimension	
	15μ" Gold	30μ" Gold	150μ" Tin/lead	A	B
14	15-47-4141	15-47-4145	15-38-8147	35.53 (1.399)	33.02 (1.300)
15	15-47-4151	15-47-4155	15-38-8157	38.07 (1.499)	35.56 (1.400)
16	15-47-4161	15-47-4165	15-38-8167	40.61 (1.599)	38.10 (1.500)
17	15-47-4171	15-47-4175	15-38-8177	43.15 (1.699)	40.64 (1.600)
18	15-47-4181	15-47-4185	15-38-8187	45.69 (1.799)	43.18 (1.700)
19	15-47-4191	15-47-4195	15-38-8197	48.23 (1.899)	45.72 (1.800)
20	15-47-4201	15-47-4205	15-38-8207	50.77 (1.999)	48.26 (1.900)
21	15-47-4211	15-47-4215	15-38-8217	53.31 (2.099)	50.80 (2.000)
22	15-47-4221	15-47-4225	15-38-8227	55.85 (2.199)	53.34 (2.100)
23	15-47-4231	15-47-4235	15-38-8237	58.39 (2.299)	55.88 (2.200)
24	15-47-4241	15-47-4245	15-38-8247	60.93 (2.399)	58.42 (2.300)
25	15-47-4251	15-47-4255	15-38-8257	63.47 (2.499)	60.96 (2.400)

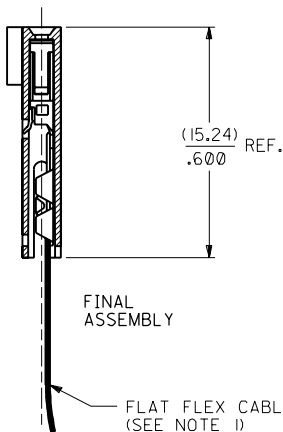
"C" - OPTION



SECTION C-C



PRE-LOAD ASSEMBLY



FINAL ASSEMBLY  
FLAT FLEX CABLE (F.F.C.)  
(SEE NOTE 1)

HOUSING MATERIAL : G.F. POLYESTER, 94V-0  
CONTACT MATERIAL : PHOSPHOR BRONZE

PLATING PER E.S.-88-\*\*\*  
571 - .000015 MIN. GOLD PLATE IN SELECT AREA,  
.000075 MIN. TIN/LEAD PLATE IN SELECT AREA,  
.000050 MIN. NICKEL PLATE OVERALL.

NOTES:

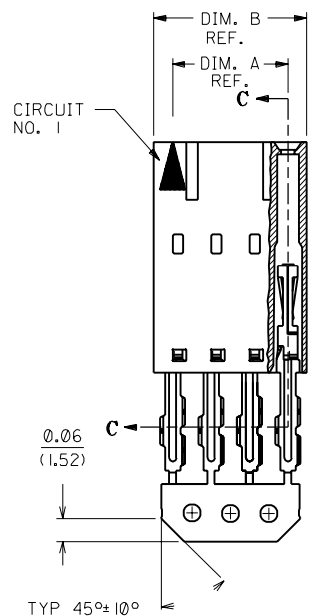
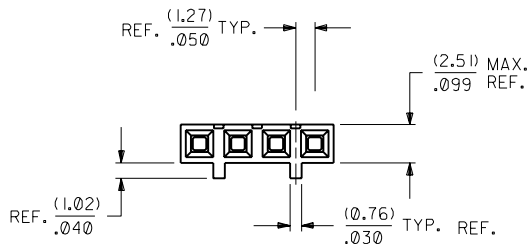
- 1) PRE LOADED ASSEMBLY TO BE USED WITH (0.30)/.012 MAX. THICK FLAT FLEX CABLE WITH (1.57)/.062 WIDE COPPER CONDUCTORS ON (2.54)/.100 CENTERS OR, (0.13)/.005 - (0.28)/.011 THICK MYLAR WITH (1.02)/.040 - (1.65)/.065 WIDE SILVER INK CONDUCTORS ON (2.54)/.100 CENTERS.
- 2) STANDARD PACKING PER PK70873-0001 SHALL BE USED.
- 3) SEE CHART FOR CIRCUIT SIZES, "A" AND "B" DIMENSIONS.
- 4) TWO (2) CIRCUIT ASSEMBLIES SUPPLIED AS GROUPED PAIRS.
- 5) PART MATES WITH (0.64)/.025 SQ. PINS, (8.13)/.320 TO (5.08)/.200 LONG ON (2.54)/.100 CENTERS.
- 6) PARTS STACKABLE SIDE TO SIDE ON (2.54)/.100 CENTERS.

PLATING PER ES-88:	COLOR CODE
164	NONE
571	YELLOW
574	RED

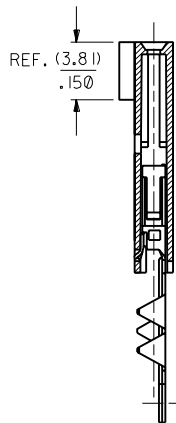
CKT. SIZE	EDP. NO.	ENG. NO.	70430	
			A	B
2	015-47-4021	70430-0211	(2.54) .100	(5.05) .199
3	015-47-4031	70430-0212	(5.08) .200	(7.59) .299
4	015-47-4041	70430-0213	(7.62) .300	(10.13) .399
5	015-47-4051	70430-0214	(10.16) .400	(12.67) .499
6	015-47-4061	70430-0215	(12.70) .500	(15.21) .599
7	015-47-4071	70430-0216	(15.24) .600	(17.75) .699
8	015-47-4081	70430-0217	(17.78) .700	(20.29) .799
9	015-47-4091	70430-0218	(20.32) .800	(22.83) .899
10	015-47-4101	70430-0219	(22.86) .900	(25.37) .999
11	015-47-4111	70430-0220	(25.40) 1.000	(27.91) 1.099
12	015-47-4121	70430-0221	(27.94) 1.100	(30.45) 1.199
13	015-47-4131	70430-0222	(30.48) 1.200	(32.99) 1.299
14	015-47-4141	70430-0223	(33.02) 1.300	(35.53) 1.399
15	015-47-4151	70430-0224	(35.56) 1.400	(38.07) 1.499
16	015-47-4161	70430-0225	(38.10) 1.500	(40.61) 1.599
17	015-47-4171	70430-0226	(40.64) 1.600	(43.15) 1.699
18	015-47-4181	70430-0227	(43.18) 1.700	(45.69) 1.799
19	015-47-4191	70430-0228	(45.72) 1.800	(48.23) 1.899
20	015-47-4201	70430-0229	(48.26) 1.900	(50.77) 1.999
21	015-47-4211	70430-0230	(50.80) 2.000	(53.31) 2.099
22	015-47-4221	70430-0231	(53.34) 2.100	(55.85) 2.199
23	015-47-4231	70430-0232	(55.88) 2.200	(58.39) 2.299
24	015-47-4241	70430-0233	(58.42) 2.300	(60.93) 2.399
25	015-47-4251	70430-0234	(60.96) 2.400	(63.47) 2.499

B2		REVISED PER ECR #U40643 05-20-94 WGM	DIMENSIONS SHOWN (METRIC) INCH UNLESS OTHERWISE SPECIFIED TOLERANCES: ANGULAR ± 1/2°		▽ = 0   ▽ = 0   REVISE ONLY ON CAD SYSTEM TITLE: ASSEMBLY, CONNECTOR F.F.C. FEMALE SINGLE ROW (2.54)/.100 GRID MOLEX INCORPORATED SHEET NO. 1 DATE 7/21/86 PART NO. 115LEJLL 60532 U.S.A. DRWG. NO. SDA-70430-0211-0234 FILE NAME 704300211.DWG THIS DRAWING CONTAINS INFORMATION THAT IS PROPRIETARY TO MOLEX INC. AND SHOULD NOT BE USED WITHOUT WRITTEN PERMISSION.
B1		ADDED EDP NUMBERS PER ECR NO U20028 01-09-92 BJS	3 PLACE ±   INCH   METRIC 2 PLACE ±   ± 1 PLACE ±   ±		
B3		ADD CARRIER CHAMF ECN #UDT1998-0280 05/20/98 LMCGRATH	DRAFT WHERE APPLICABLE MUST REMAIN WITHIN DIMENSIONS DRAWN BY RAS   CHK'D BY MJM APP'D BY WAZ   SCALE 4:1		MFG. SH. REV. I A
LTR.	REVISIONS	LTR.	REVISIONS	SCALE	SIZE

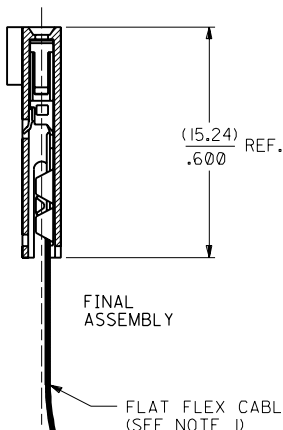
"C" - OPTION



SECTION C-C



PRE-LOAD ASSEMBLY



FINAL ASSEMBLY  
FLAT FLEX CABLE (F.F.C.)  
(SEE NOTE 1)

HOUSING MATERIAL : G.F. POLYESTER, 94V-0  
CONTACT MATERIAL : PHOSPHOR BRONZE  
PLATING PER E.S. -88-\*\*\*

574 - .000030 MIN. GOLD PLATE IN SELECT AREA,  
.000075 MIN. TIN/LEAD PLATE IN SELECT AREA,  
.000050 MIN. NICKEL PLATE OVER-ALL.

PLATING PER ES-88:	COLOR CODE
164	NONE
571	YELLOW
574	RED

NOTES:

- 1) PRE LOADED ASSEMBLY TO BE USED WITH (0.30)/.012 MAX. THICK FLAT FLEX CABLE WITH (1.57)/.062 WIDE COPPER CONDUCTORS ON (2.54)/.100 CENTERS OR, (0.13)/.005 - (0.28)/.011 THICK MYLAR WITH (1.02)/.040 - (1.65)/.065 WIDE SILVER INK CONDUCTORS ON (2.54)/.100 CENTERS.
- 2) STANDARD PACKING PER PK70873-0001 SHALL BE USED.
- 3) SEE CHART FOR CIRCUIT SIZES, "A" AND "B" DIMENSIONS.
- 4) TWO (2) CIRCUIT ASSEMBLIES SUPPLIED AS GROUPED PAIRS.
- 5) PART MATES WITH (0.64)/.025 SQ. PINS, (8.13)/.320 TO (5.08)/.200 LONG ON (2.54)/.100 CENTERS.
- 6) PARTS STACKABLE SIDE TO SIDE ON (2.54)/.100 CENTERS.

70430

CKT. SIZE	EDP. NO.	ENG. NO.	A	B
2	015-47-4025	70430-0386	(2.54) .100	(5.05) .199
3	015-47-4035	70430-0387	(5.08) .200	(7.59) .299
4	015-47-4045	70430-0388	(7.62) .300	(10.13) .399
5	015-47-4055	70430-0389	(10.16) .400	(12.67) .499
6	015-47-4065	70430-0390	(12.70) .500	(15.21) .599
7	015-47-4075	70430-0391	(15.24) .600	(17.75) .699
8	015-47-4085	70430-0392	(17.78) .700	(20.29) .799
9	015-47-4095	70430-0393	(20.32) .800	(22.83) .899
10	015-47-4105	70430-0394	(22.86) .900	(25.37) .999
11	015-47-4115	70430-0395	(25.40) 1.000	(27.91) 1.099
12	015-47-4125	70430-0396	(27.94) 1.100	(30.45) 1.199
13	015-47-4135	70430-0397	(30.48) 1.200	(32.99) 1.299
14	015-47-4145	70430-0398	(33.02) 1.300	(35.53) 1.399
15	015-47-4155	70430-0399	(35.56) 1.400	(38.07) 1.499
16	015-47-4165	70430-0400	(38.10) 1.500	(40.61) 1.599
17	015-47-4175	70430-0401	(40.64) 1.600	(43.15) 1.699
18	015-47-4185	70430-0402	(43.18) 1.700	(45.69) 1.799
19	015-47-4195	70430-0403	(45.72) 1.800	(48.23) 1.899
20	015-47-4205	70430-0404	(48.26) 1.900	(50.77) 1.999
21	015-47-4215	70430-0405	(50.80) 2.000	(53.31) 2.099
22	015-47-4225	70430-0406	(53.34) 2.100	(55.85) 2.199
23	015-47-4235	70430-0407	(55.88) 2.200	(58.39) 2.299
24	015-47-4245	70430-0408	(58.42) 2.300	(60.93) 2.399
25	015-47-4255	70430-0409	(60.96) 2.400	(63.47) 2.499

70430

MFG. SH. REV.

REVISE ONLY ON CAD SYSTEM

TITLE: ASSEMBLY, CONNECTOR F.F.C. FEMALE SINGLE ROW (2.54)/.100 GRID

MOLEX INCORPORATED SHEET NO. 1 DATE 7/21/86

PART NO. SDA-70430-0386-0409

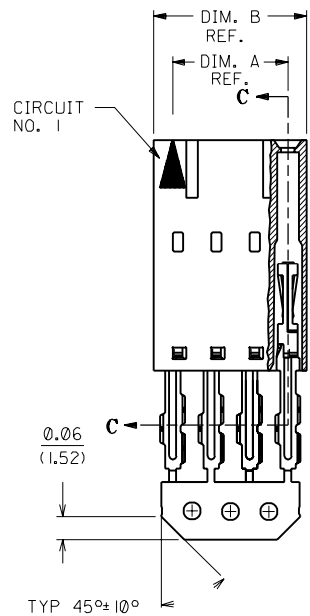
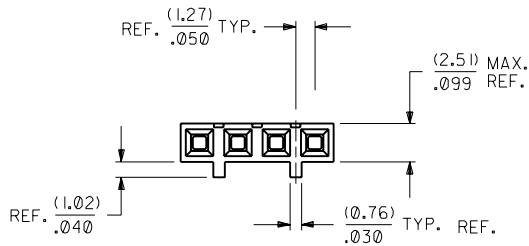
FILE NAME: 704300386.DWG

THIS DRAWING CONTAINS INFORMATION THAT IS PROPRIETARY TO MOLEX INC. AND SHOULD NOT BE USED WITHOUT WRITTEN PERMISSION.

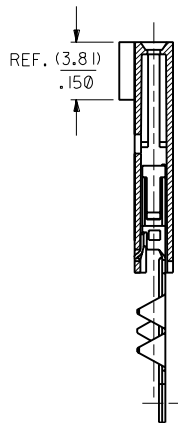
DIMENSIONS SHOWN (METRIC) INCH	
UNLESS OTHERWISE SPECIFIED TOLERANCES: ANGULAR ± 1/2°	
	INCH METRIC
3 PLACE ±	±
2 PLACE ±	±
1 PLACE ±	±
DRAFT WHERE APPLICABLE MUST REMAIN WITHIN DIMENSIONS	
DRWG. BY: RAS	CHK'D. BY: MJM
APP'D. BY: WAZ	SCALE: 4:1

B2	REVISED PER ECR #U40643 05-20-94 WCM
B1	ADDED EDP NUMBERS PER ECR NO U20028 01-09-92 BJS
B3	ADD CARRIER CHAMF ECN #UDT 1998-0280 05/20/98 LMCRRATH
B	REDRAWN ON CAD PER ECR #9479 9/15/86 RAS/MJM
LTR.	REVISIONS

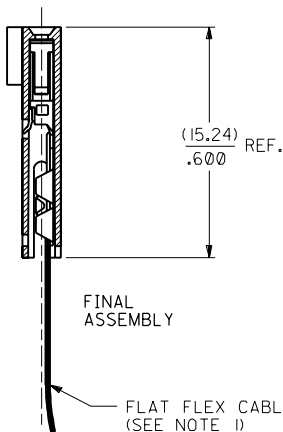
"C" - OPTION



SECTION C-C



PRE-LOAD ASSEMBLY



FINAL ASSEMBLY

FLAT FLEX CABLE (F.F.C.)  
(SEE NOTE 1)

HOUSING MATERIAL : G.F. POLYESTER, 94V-0  
CONTACT MATERIAL : PHOSPHOR BRONZE  
PLATING PER E.S. -88-\*\*\*  
164 - .000150 MIN. TIN/LEAD OVER  
.000050 MIN. NICKEL PLATE.

NOTES:

- 1) PRE LOADED ASSEMBLY TO BE USED WITH (0.30)/.012 MAX. THICK FLAT FLEX CABLE WITH (1.57)/.062 WIDE COPPER CONDUCTORS ON (2.54)/.100 CENTERS OR, (0.13)/.005 - (0.28)/.011 THICK MYLAR WITH (1.02)/.040 - (1.65)/.065 WIDE SILVER INK CONDUCTORS ON (2.54)/.100 CENTERS.
- 2) STANDARD PACKING PER PK70873-0001 SHALL BE USED.
- 3) SEE CHART FOR CIRCUIT SIZES, "A" AND "B" DIMENSIONS.
- 4) TWO (2) CIRCUIT ASSEMBLIES SUPPLIED AS GROUPED PAIRS.
- 5) PART MATES WITH (0.64)/.025 SQ. PINS, (8.13)/.320 TO (5.08)/.200 LONG ON (2.54)/.100 CENTERS.
- 6) PARTS STACKABLE SIDE TO SIDE ON (2.54)/.100 CENTERS.

PLATING PER ES-88:	COLOR CODE
164	NONE
571	YELLOW
574	RED

CKT. SIZE	EDP. NO.	ENG. NO.	70430	
			A	B
2	015-38-8027	70430-0036	(2.54) .100	(5.05) .199
3	015-38-8037	70430-0037	(5.08) .200	(7.59) .299
4	015-38-8047	70430-0038	(7.62) .300	(10.13) .399
5	015-38-8057	70430-0039	(10.16) .400	(12.67) .499
6	015-38-8067	70430-0040	(12.70) .500	(15.21) .599
7	015-38-8077	70430-0041	(15.24) .600	(17.75) .699
8	015-38-8087	70430-0042	(17.78) .700	(20.29) .799
9	015-38-8097	70430-0043	(20.32) .800	(22.83) .899
10	015-38-8107	70430-0044	(22.86) .900	(25.37) .999
11	015-38-8117	70430-0045	(25.40) 1.000	(27.91) 1.099
12	015-38-8127	70430-0046	(27.94) 1.100	(30.45) 1.199
13	015-38-8137	70430-0047	(30.48) 1.200	(32.99) 1.299
14	015-38-8147	70430-0048	(33.02) 1.300	(35.53) 1.399
15	015-38-8157	70430-0049	(35.56) 1.400	(38.07) 1.499
16	015-38-8167	70430-0050	(38.10) 1.500	(40.61) 1.599
17	015-38-8177	70430-0051	(40.64) 1.600	(43.15) 1.699
18	015-38-8187	70430-0052	(43.18) 1.700	(45.69) 1.799
19	015-38-8197	70430-0053	(45.72) 1.800	(48.23) 1.899
20	015-38-8207	70430-0054	(48.26) 1.900	(50.77) 1.999
21	015-38-8217	70430-0055	(50.80) 2.000	(53.31) 2.099
22	015-38-8227	70430-0056	(53.34) 2.100	(55.85) 2.199
23	015-38-8237	70430-0057	(55.88) 2.200	(58.39) 2.299
24	015-38-8247	70430-0058	(58.42) 2.300	(60.93) 2.399
25	015-38-8257	70430-0059	(60.96) 2.400	(63.47) 2.499

B2	REVISED PER ECR #U40643 05/19/94 WGM	DIMENSIONS SHOWN (METRIC) INCH UNLESS OTHERWISE SPECIFIED TOLERANCES: ANGULAR ± 1/2°
B1	ADDED EDP NUMBERS PER ECR NO U20028 01-08-92 BJS	3 PLACE ± INCH METRIC 2 PLACE ± ± 1 PLACE ± ±
B3	ADD CARRIER CHAMF ECN #UDT1998-0280 05/20/98 LMCCRATH	DRAFT WHERE APPLICABLE MUST REMAIN WITHIN DIMENSIONS
LTR.	REVISIONS	DRWG. BY: RAS CHK'D. BY: MJM APP'D. BY: WAZ SCALE: 4:1

REVISIONS

REVISIONS

SCALE: 4:1

FILE NAME: 704300036.DWG

THIS DRAWING CONTAINS INFORMATION THAT IS PROPRIETARY TO MOLEX INC. AND SHOULD NOT BE USED WITHOUT WRITTEN PERMISSION.

DA I C

MFG, SH, REV.		REVISE ONLY ON CAD SYSTEM	
TITLE: ASSEMBLY, CONNECTOR F.F.C. FEMALE SINGLE ROW (2.54)/.100 GRID			
MOLEX INCORPORATED		SHEET NO. 1	DATE 7/21/86
PART NO. 70430-0036		DRWG. NO. SDA-70430-0036-0059	