

SPECIFICATIONS

Friction Header Connector

Mechanical

Contact Retention Force: 1.36 KGF Min.
Durability: 500 Cycles

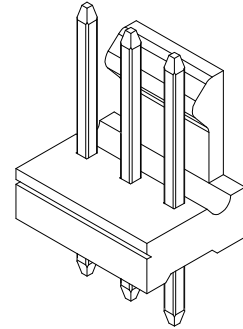
HF08 Series
Friction T/H Type
2.54mm [.100"] Pitch

Electrical

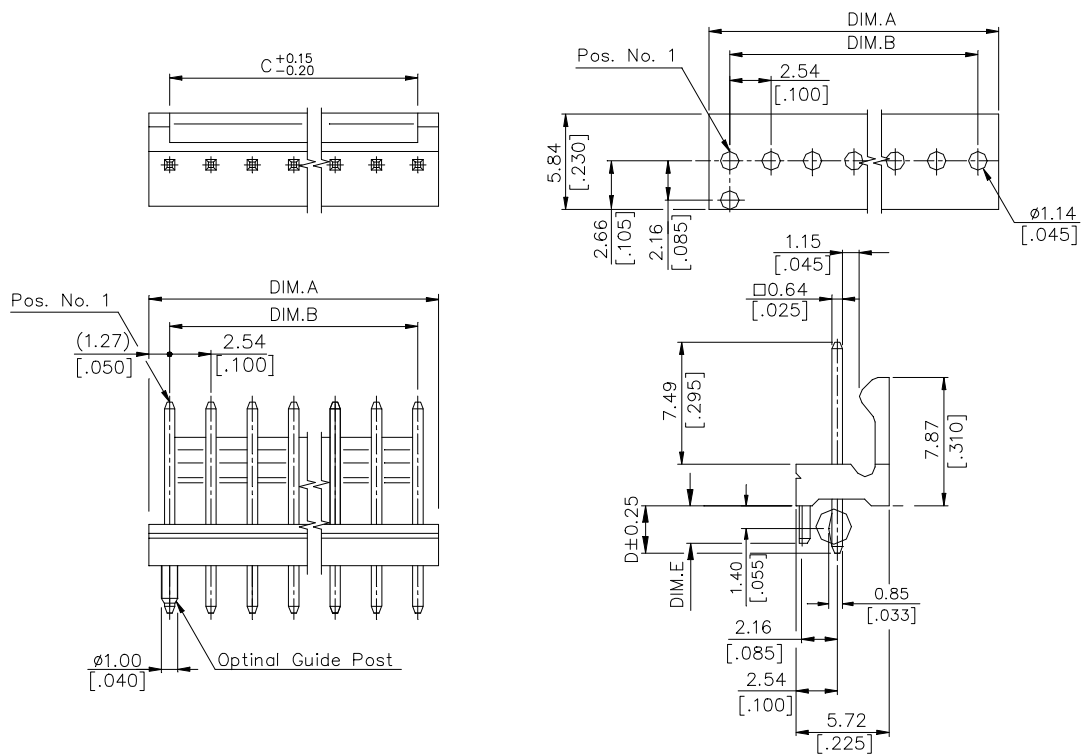
Voltage Rating: 250V
Current Rating: 3.0A per pin min.
Contact Resistance: 30mW max.
Dielectric Withstanding Voltage: 750V AC
Insulation Resistance: 1000MW min.

Physical

Housing: Thermoplastic, Glass Filled , UL94V-0 Rating
Contact: Brass
Plating: See "ORDERING INFORMATION"
Operating Temperature: -40 to +105

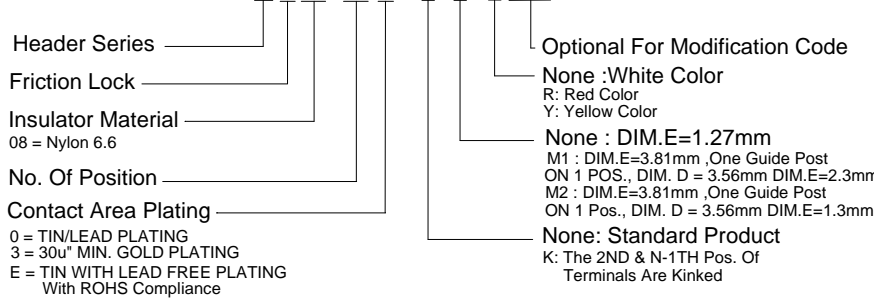


DRAWING



ORDERING INFORMATION

PRODUCT NO.: HF08 *** - * * * * *



See attachment

| | | | | | |
|----------------|------|-----------------|-----------------|-----------------|-----------------------|
| HF0816*- ***** | 16 | 40.64 [1.60] | 38.10 [1.50] | 38.10 [1.50] | 35.56 [1.40] |
| HF0815*- ***** | 15 | 38.10 [1.50] | 35.56 [1.40] | 35.56 [1.40] | 33.02 [1.30] |
| HF0814*- ***** | 14 | 35.56 [1.40] | 33.02 [1.30] | 33.02 [1.30] | 30.48 [1.20] |
| HF0813*- ***** | 13 | 33.02 [1.30] | 30.48 [1.20] | 30.48 [1.20] | 27.94 [1.10] |
| HF0812*- ***** | 12 | 30.48 [1.20] | 27.94 [1.10] | 27.94 [1.10] | 25.40 [1.00] |
| HF0811*- ***** | 11 | 27.94 [1.10] | 25.40 [1.00] | 25.40 [1.00] | 22.86 [.90] |
| HF0810*- ***** | 10 | 25.40 [1.00] | 22.86 [.90] | 22.86 [.90] | 20.32 [.80] |
| HF0809*- ***** | 9 | 22.86 [.90] | 20.32 [.80] | 20.32 [.80] | 17.78 [.70] |
| HF0808*- ***** | 8 | 20.32 [.80] | 17.78 [.70] | 17.78 [.70] | 15.24 [.60] |
| HF0807*- ***** | 7 | 17.78 [.70] | 15.24 [.60] | 15.24 [.60] | 12.70 [.50] |
| HF0806*- ***** | 6 | 15.24 [.60] | 12.70 [.50] | 12.70 [.50] | 10.16 [.40] |
| HF0805*- ***** | 5 | 12.70 [.50] | 10.16 [.40] | 10.16 [.40] | 7.62 [.30] |
| HF0804*- ***** | 4 | 10.16 [.40] | 7.62 [.30] | 7.62 [.30] | 5.08 [.20] |
| HF0803*- ***** | 3 | 7.62 [.30] | 5.08 [.20] | 5.08 [.20] | 2.54 [.10] |
| HF0802*- ***** | 2 | 5.08 [.20] | 2.54 [.10] | 2.54 [.10] | / |
| PART NO. | POS. | DIM. A | DIM. B | DIM. C | DIM. C Only For M1 |

◎ Modification Code ◎

| Code | Description |
|------|----------------------------------------------------|
| None | Standard Product, Dim. D = 3.56mm |
| C1 | One Guide Post On 1 Pos. Dim. D = 2.30mm Dim.F=2.3 |
| D5 | The 3rd Pin Omitted, Dim. D = 3.56mm |
| P0 | The 4rd Pin Omitted, Dim. D = 3.56mm |
| P1 | One Guide Post On 1 Pos. Dim. D = 3.56mm Dim.F=2.3 |
| P3 | The 2rd Pin Omitted, Dim. D = 3.56mm |
| Q3 | One Guide Post On 3 Pos. Dim. D = 3.56mm Dim.F=2.3 |
| C2 | One Guide Post On 1 Pos. Dim. D = 2.30mm Dim.F=1.3 |
| C3 | One Guide Post On 2 Pos. Dim. D = 3.56mm Dim.F=1.3 |
| P2 | One Guide Post On 1 Pos. Dim. D = 3.56mm Dim.F=1.3 |