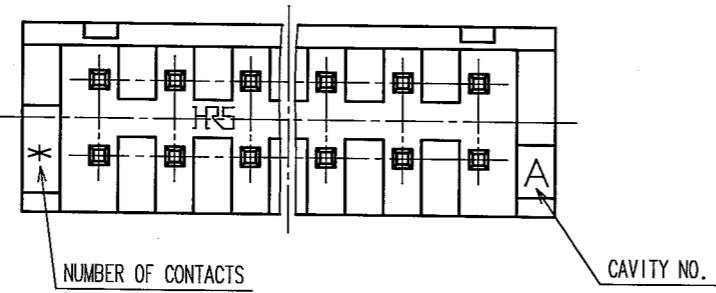
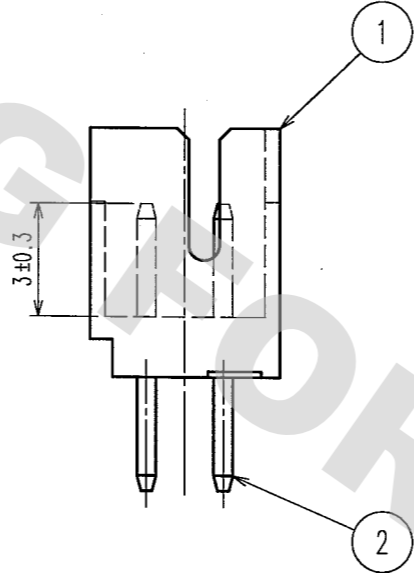
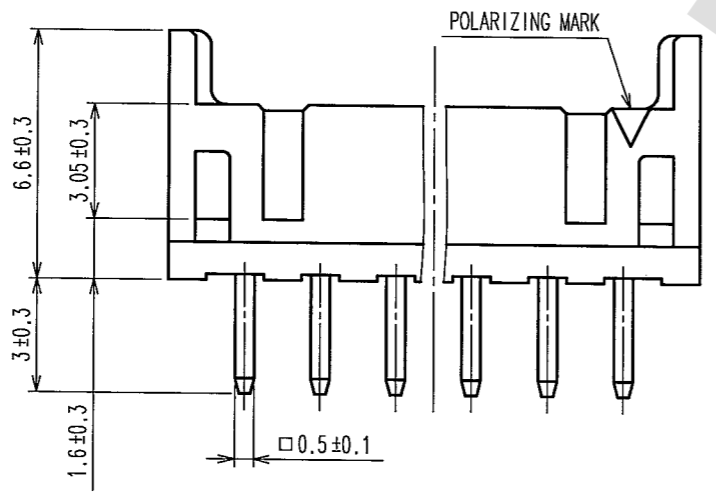
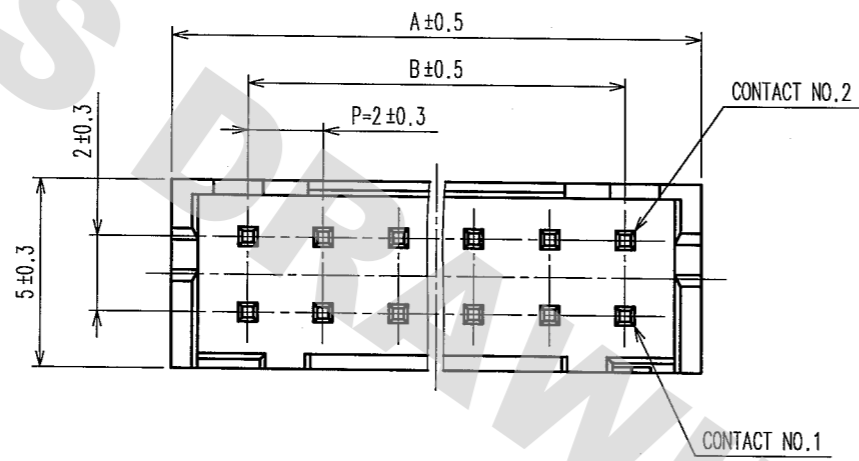


DRAWING FOR REFERENCE: This is subject to change without notice
08/11/2012

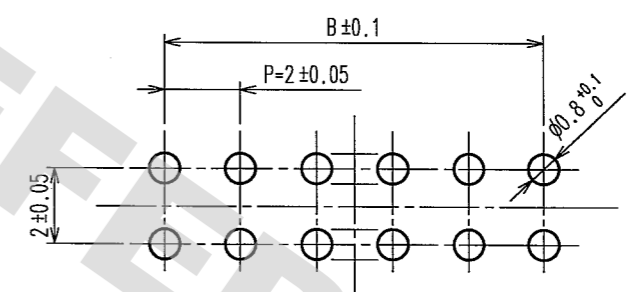
| |
|----|
| TO |
| |
| |
| |

| COUNT | DESCRIPTION OF REVISIONS | BY | CHKD | DATE | COUNT | DESCRIPTION OF REVISIONS | BY | CHKD | DATE |
|-------|--------------------------|----|------|------|-------|--------------------------|----|------|------|
| | | | | | | | | | |
| | | | | | | | | | |
| | | | | | | | | | |

| HRS NO | PART NO | NUMBER OF CONTACT | A | B |
|-----------------|---------------------|-------------------|------|------|
| CL543-0517-5-24 | DF11- 4DP-2DSA (24) | 4 | 6.0 | 2.0 |
| CL543-0518-8-24 | DF11- 6DP-2DSA (24) | 6 | 8.0 | 4.0 |
| CL543-0519-0-24 | DF11- 8DP-2DSA (24) | 8 | 10.0 | 6.0 |
| CL543-0520-0-24 | DF11-10DP-2DSA (24) | 10 | 12.0 | 8.0 |
| CL543-0521-2-24 | DF11-12DP-2DSA (24) | 12 | 14.0 | 10.0 |
| CL543-0522-5-24 | DF11-14DP-2DSA (24) | 14 | 16.0 | 12.0 |
| CL543-0523-8-24 | DF11-16DP-2DSA (24) | 16 | 18.0 | 14.0 |
| CL543-0524-0-24 | DF11-18DP-2DSA (24) | 18 | 20.0 | 16.0 |
| CL543-0525-3-24 | DF11-20DP-2DSA (24) | 20 | 22.0 | 18.0 |
| CL543-0526-6-24 | DF11-22DP-2DSA (24) | 22 | 24.0 | 20.0 |
| CL543-0527-9-24 | DF11-24DP-2DSA (24) | 24 | 26.0 | 22.0 |
| CL543-0528-1-24 | DF11-26DP-2DSA (24) | 26 | 28.0 | 24.0 |
| CL543-0529-4-24 | DF11-28DP-2DSA (24) | 28 | 30.0 | 26.0 |
| CL543-0530-3-24 | DF11-30DP-2DSA (24) | 30 | 32.0 | 28.0 |
| CL543-0531-6-24 | DF11-32DP-2DSA (24) | 32 | 34.0 | 30.0 |



RECOMMENDED PATTERN



| 2 | BRASS | SURFACE: TIN PLATED 1μm min UNDER PLATING: NICKEL PLATED 0.5μm min | 4 | S. PVC | STOPPER, GRAY |
|-----|-----------|---|-----|----------|----------------------------------|
| 1 | POLYAMIDE | BLACK, UL94V-0 | 3 | R. PVC | ELECTROSTATIC PROTECTION (CLEAR) |
| NO. | MATERIAL | FINISH, REMARKS | NO. | MATERIAL | FINISH, REMARKS |

| CODE NO. (OLD) | DRAWN | DESIGNED | CHECKED | APPROVED | RELEASED |
|----------------|-----------|--------------------|------------------|---------------|----------|
| CL | M. MATSUO | <i>L. Donpoung</i> | <i>H. Uehara</i> | <i>J. Ono</i> | |
| | 05.08.01 | '05.08.11 | '05.08.11 | '05.08.11 | |

| | | |
|-------|------------------------------|-------------------|
| SCALE | DRAWING NO. | PART NO. |
| 5 : 1 | EDC3-162391-03 | DF11-*DP-2DSA(24) |
| UNITS | HRS HIROSE ELECTRIC CO., LTD | CODE NO. |
| mm | | CL543- |

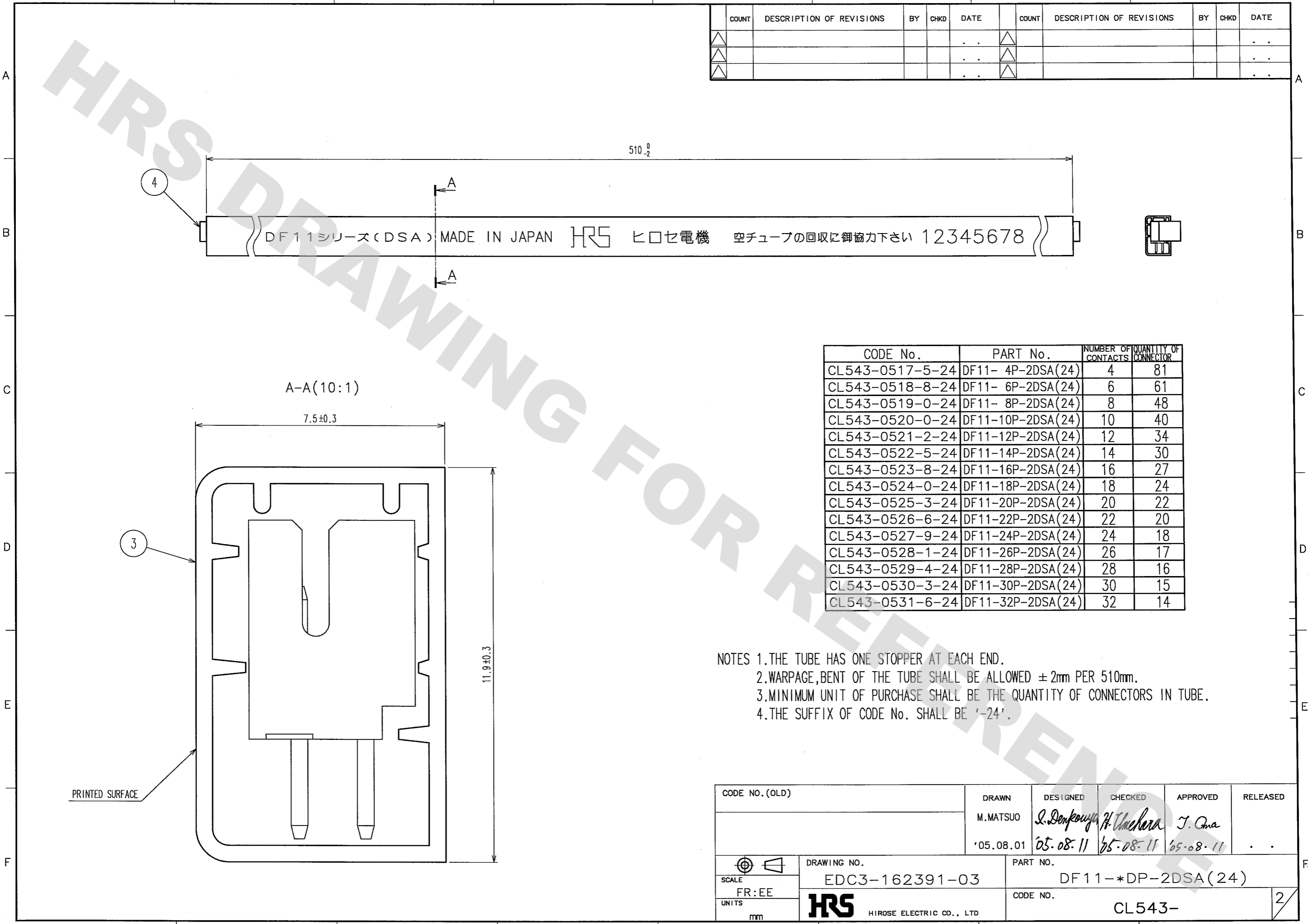
1/2



DRAWING FOR REFERENCE: This is subject to change without notice
08/11/2012

| |
|----|
| TO |
| |
| |
| |

| 5 | | | | 6 | | | | 7 | | | | 8 | | | |
|-------|--------------------------|----|------|------|-------|--------------------------|----|------|------|-------|--------------------------|----|------|------|--|
| COUNT | DESCRIPTION OF REVISIONS | BY | CHKD | DATE | COUNT | DESCRIPTION OF REVISIONS | BY | CHKD | DATE | COUNT | DESCRIPTION OF REVISIONS | BY | CHKD | DATE | |
| △ | | | | .. | △ | | | | .. | △ | | | | .. | |
| △ | | | | .. | △ | | | | .. | △ | | | | .. | |
| △ | | | | .. | △ | | | | .. | △ | | | | .. | |



| CODE No. | PART No. | NUMBER OF CONTACTS | QUANTITY OF CONNECTOR |
|-----------------|-------------------|--------------------|-----------------------|
| CL543-0517-5-24 | DF11- 4P-2DSA(24) | 4 | 81 |
| CL543-0518-8-24 | DF11- 6P-2DSA(24) | 6 | 61 |
| CL543-0519-0-24 | DF11- 8P-2DSA(24) | 8 | 48 |
| CL543-0520-0-24 | DF11-10P-2DSA(24) | 10 | 40 |
| CL543-0521-2-24 | DF11-12P-2DSA(24) | 12 | 34 |
| CL543-0522-5-24 | DF11-14P-2DSA(24) | 14 | 30 |
| CL543-0523-8-24 | DF11-16P-2DSA(24) | 16 | 27 |
| CL543-0524-0-24 | DF11-18P-2DSA(24) | 18 | 24 |
| CL543-0525-3-24 | DF11-20P-2DSA(24) | 20 | 22 |
| CL543-0526-6-24 | DF11-22P-2DSA(24) | 22 | 20 |
| CL543-0527-9-24 | DF11-24P-2DSA(24) | 24 | 18 |
| CL543-0528-1-24 | DF11-26P-2DSA(24) | 26 | 17 |
| CL543-0529-4-24 | DF11-28P-2DSA(24) | 28 | 16 |
| CL543-0530-3-24 | DF11-30P-2DSA(24) | 30 | 15 |
| CL543-0531-6-24 | DF11-32P-2DSA(24) | 32 | 14 |

- NOTES 1.THE TUBE HAS ONE STOPPER AT EACH END.
 2.WARPAGE, BENT OF THE TUBE SHALL BE ALLOWED ±2mm PER 510mm.
 3.MINIMUM UNIT OF PURCHASE SHALL BE THE QUANTITY OF CONNECTORS IN TUBE.
 4.THE SUFFIX OF CODE No. SHALL BE '-24'.

| | | | | | |
|----------------|------------------------------|--------------------|-------------------|---------------|----------|
| CODE NO. (OLD) | DRAWN | DESIGNED | CHECKED | APPROVED | RELEASED |
| | M. MATSUO | <i>S. Denkouya</i> | <i>H. Uchida</i> | <i>J. Ona</i> | |
| | '05.08.01 | 05.08.11 | 05.08.11 | 05.08.11 | .. |
| SCALE | DRAWING NO. | | PART NO. | | |
| FR:EE | EDC3-162391-03 | | DF11-*DP-2DSA(24) | | |
| UNITS | HRS HIROSE ELECTRIC CO., LTD | | CODE NO. | | 2 |
| mm | | | CL543- | | |