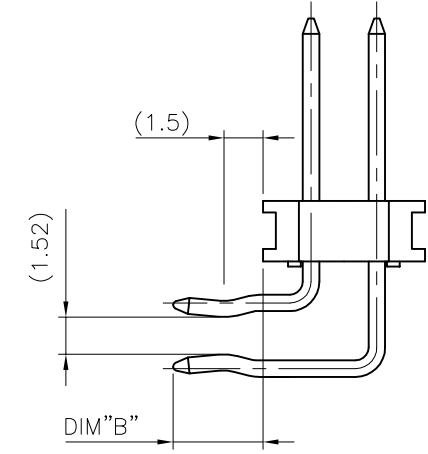
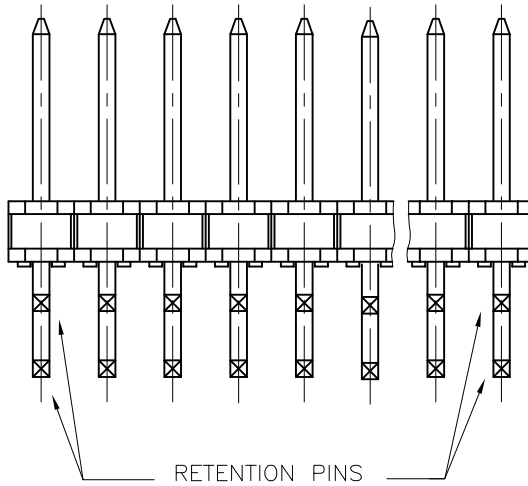


PIN STYLE	PRODUCT DIMENSIONS			
	"A" ±0.15	"B" ±0.35	("C") REF	("J") REF
03	8.08	2.93	1.52	14.68
04	5.84	2.83	1.52	12.44



OPTION LETTER "R"
FOR RETENTION

77319-YXXRXX(LF)

NOTES:

- 4 PINS USED FOR RETENTION FEATURE ,2 AT EACH END
- RETENTION FEATURE ONLY AVAILABLE WHEN DIM "B" IS BETWEEN 2.9 AND 3.5mm.

77319-9XX-XXLF	0.2μm Au	2.0-7.5 Sn MATTE
77319-8XX-XXLF	0.38μm Au/GXT	2.0-7.5 Sn MATTE
77319-2XX-XXLF	1.27μm Au	2.0-7.5 Sn MATTE
77319-1XX-XXLF	0.76μm Au/GXT	2.0-7.5 Sn MATTE
77319-1XXSXXLF	0.76μm Au/GXT	GOLD FLASH

77319-9XX-XX	0.2μm Au	4μm SnPb
77319-8XX-XX	0.38μm Au/GXT	4μm SnPb
77319-2XX-XX	1.27μm Au	4μm SnPb
77319-1XX-XX	0.76μm Au/GXT	4μm SnPb
77319-1XXSXX	0.76μm Au/GXT	GOLD FLASH
PLATING CODE	CONTACT AREA	REMAINDER
	PLATING THICKNESS OVER 1.27μm Ni	

mat'l. code		surface	tolerance	projection	product family
		ISO 1302	ISO 406 ISO 1101		BSTIK
ltr	ecn no	dr	date	tolerances unless otherwise specified	title
H	F10407	JMC	91.05.24	angles linear	HEADER RA,DR, WIDE BODY 2.54mm
J	F50847	JMC	95.11.15		scale 5:1
K	F60884	OMA	96.12.05		
L	F00837	LMU	00.11.10	dr	COMPAGNON J
M	F05-0186	LMU	05.06.09	engr	JMC
N	F06-0207	LMU	06.07.27	chr	
P	F08-0148	RTR	08.03.31	appd	JMC
sheet index	revision sheet				



Copyright FCI