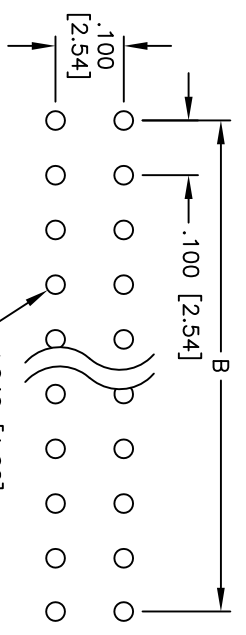
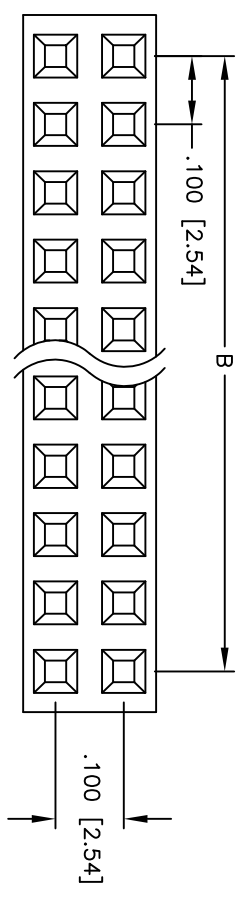
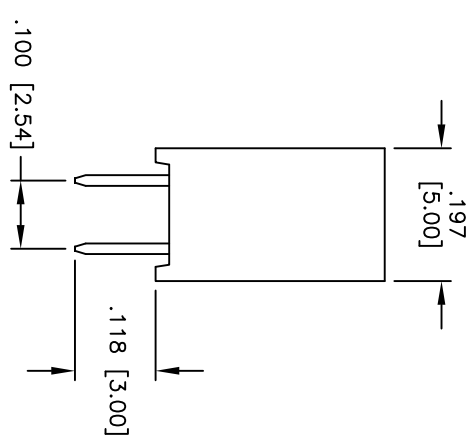
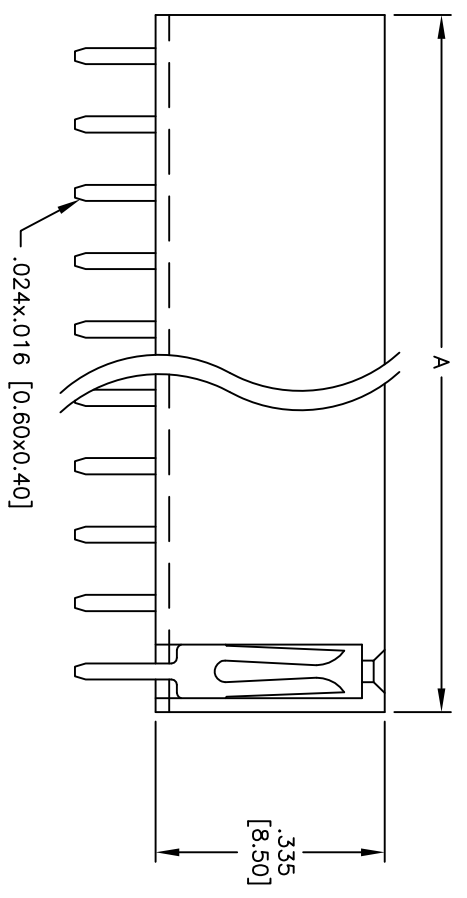


Rev	AWO #	Description	Date	Appr
-		RELEASED	2/9/11	

APPROVED: \_\_\_\_\_  
 DATE: \_\_\_\_\_ TITLE: \_\_\_\_\_



RECOMMENDED  
PCB LAYOUT



**SPECIFICATIONS:**

Material: PBT, glass reinforced, rated UL 94V-0  
 Insulator color: Blue  
 Contacts: Brass  
 Plating: 30u" Gold over Nickel underplate on contact area, Tin over Copper Underplate on solder tails  
 Electrical:  
 Operating voltage: 250 VAC max.  
 Current rating: 3 Amps max.  
 Contact resistance: 20 mohms max. initial  
 Insulation resistance: 5,000 Mohms min.  
 Dielectric withstanding voltage: 1,000 VAC for 1 minute  
 Temperature Rating:  
 Operating temperature: -40°C to +105°C  
 Environmental:  
 Lead free, ROHS compliant  
 Recommended soldering temp: 235°C for 5 seconds

Positions: 02 thru 80  
 A = .100 [2.54] x No. of Positions per Row + .020 [0.50]  
 B = .100 [2.54] x No. of Spaces

**ADAM TECH**  
 909 Rahway Avenue, Union, NJ 07083  
 Phone: 908-687-5000 Fax: 908-687-5710

TITLE: .100 x .100 DUAL ROW RECEPTACLE STRIP  
 .335 [8.50] HEIGHT, 30u" SEL GOLD PLATED

UNLESS OTHERWISE SPECIFIED ALL DIMENSIONS ARE INCHES [MM] TOLERANCES: EXCEPT AS NOTED		INCHES		HILES	
.X	± .10	ØXX	± .10		
.XX	± .020	ØXXX	± .015		
.XXX	± .015	ØXXX	± .010		
APPROVALS		DATE			
DRAWN	AY	2/9/11			
CHECKED	VW	2/9/11			
APPROVED					
SIZE	PART NO.	TITLE			
X	RS2-XX-SG-30-BU	.100 x .100 DUAL ROW RECEPTACLE STRIP			
REF:	S00039T	SCALE: NTS		SHEET 1 OF 1	