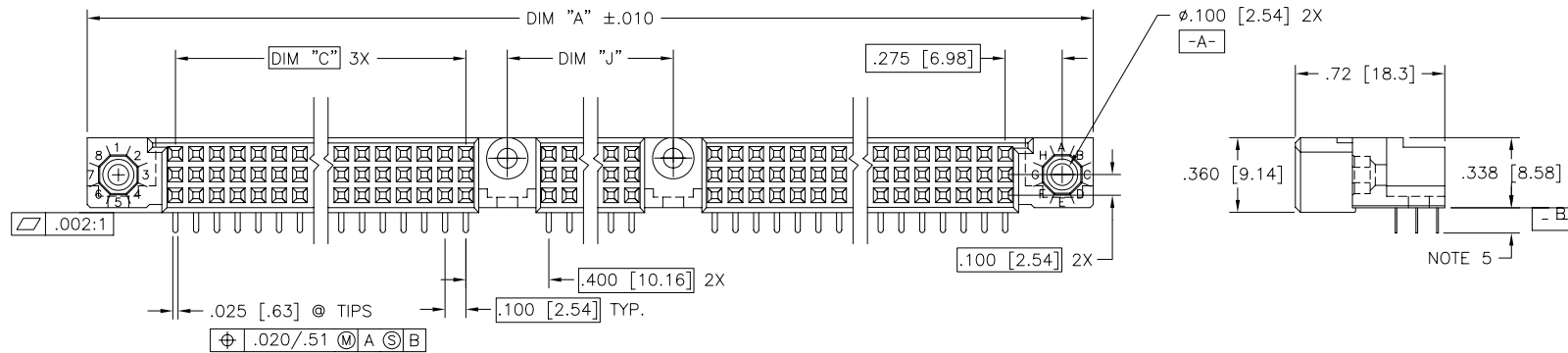
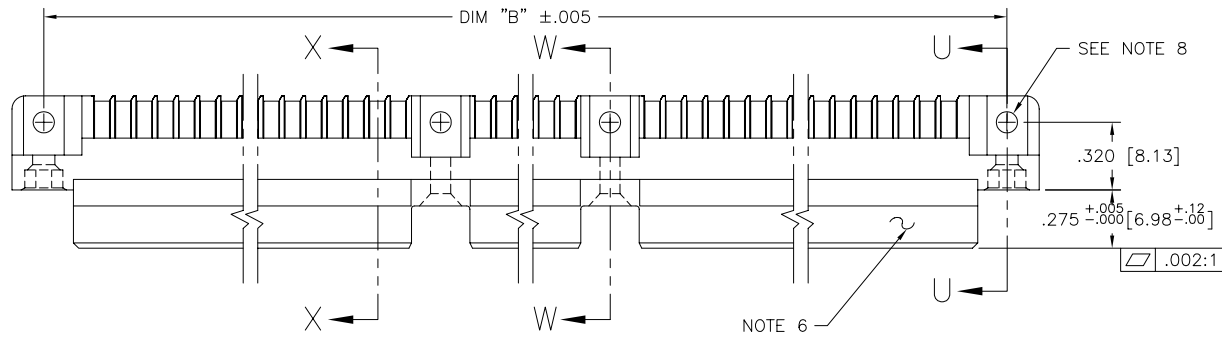




FCIconnect.com

Copyright FCI

PRODUCT NUMBER  
SEE NOTE 1



mat'l. code		surface ISO 1302 ✓		tolerance ISO 406 ISO 1101		projection INCH/MM		product family HPC	
ltr		ecn no		date		tolerances unless otherwise specified		title	
A	V40979	GAH	6/8/94	angles	.XX±.01/.3	INCH/MM		3 ROW R/A RECEPTACLE	
B	V61331	MSC	9/5/96	linear	.xxx±.005/.13	scale 1:1		SOLDER TAIL, 2 GUIDE PINS	
C	V00259	JWS	1/21/00	0'±2'	.xxx±.0020/.051	FCI		dwg no sheet 1 of 3 size	
D	V01357	CGD	6/29/00	dr	G.HULL 7/28/94	50826		A3	
E	M06-0255	AGS	7/7/06	engr	D. HORCHLER 6/8/94	type Product Customer Drawing			
				chr	D. HORCHLER 7/28/94				
				appd	S. CLARK 8/5/94				
sheet index	revision sheet	E 1	E 2	E 3					

form: A3

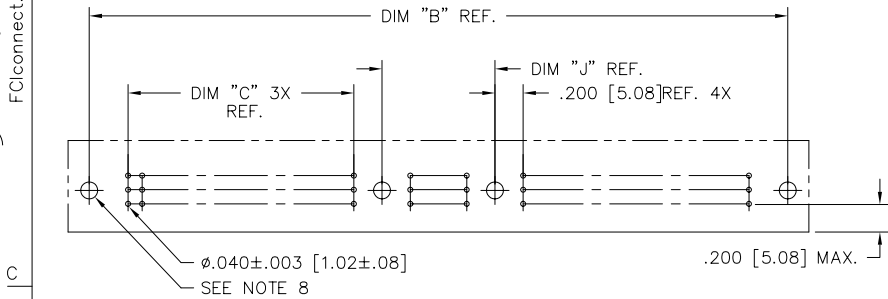
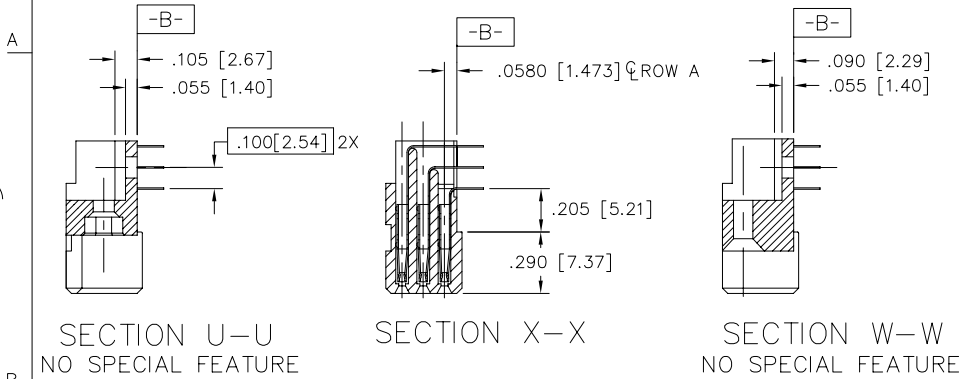
PRODUCT NUMBER	DIM.	LENGTH FORMULAS
SEE NOTE 1	DIM A	.100/2.54 X NO. OF COLUMNS + 1.35/34.3
	DIM B	.100/2.54 X NO. OF COLUMNS + 1.050/26.67
	DIM C	.100/2.54 X NO. OF COLUMNS DIVIDED BY 3 - .100/2.54
	DIM J	.100/2.54 X NO. OF COLUMNS DIVIDED BY 3 + .300/7.62

NOTES:

- ① PRODUCT NUMBERING CODE:  

50826	-	X	YYY	Z	S

  - SPECIAL FEATURES(NOTE 8)
  - TAIL LENGTH(NOTE 5)
  - NO. OF POSITIONS(NOTE 2)
  - PLATING(NOTE 4)
  - BASE NUMBER
- ② THIS PRODUCT IS CONFIGURED IN SIZES OF 30 THRU 150 COLUMNS IN INCREMENTS OF THREE.  
i.e.: 30,33,36,39.....147,150.
- ③ HOUSING MATERIAL: GLASS AND MINERAL FILLED HIGH TEMP. THERMOPLASTIC. FLAME RETARDANT PER UL94V-0. COLOR: BLACK.  
CONTACT MATERIAL: BeCu
- ④ PLATING CONTACT AREA OPTIONS:  
1 = 30u"/.76u GOLD  
3 = 50u"/1.27u GOLD  
5 = 30u"/.76u GXT  
ALL SOLDER TAILS TIN/LEAD
- ⑤ TAIL LENGTH OPTIONS:  
E = .125±.010 / 3.18±.25  
F = .145±.010 / 3.68±.25  
H = .180±.010 / 4.57±.25
- ⑥ MANUFACTURER'S NAME, PART NUMBER AND LOT CODE TO APPEAR ON THIS SURFACE PER BUS-12-108.
7. FOR DOCUMENTATION MENU, SEE SPEC. BUS-01-057.
- ⑧ SPECIAL FEATURES: (SEE SHEET 3)  
- = IF CODE IS OMITTED FROM PRODUCT NO.; CONNECTOR IS PROVIDED AS SHOWN, NO SPECIAL FEATURES ARE SELECTED. FOR P.C.B. ATTACHMENT IN A .120 [3.05] MOUNTING HOLE.  
"A" = IF SPECIFIED, PRE-INSTALLED CLAW FOR P.C.B. ATTACHMENT IN A  $\phi$ .100 MOUNTING HOLE. (AVAILABLE IN "E" TAIL LENGTH ONLY).  
"B" = IF SPECIFIED, PRE-INSTALLED CLAW FOR P.C.B. ATTACHMENT IN A  $\phi$ .120 MOUNTING HOLE.  
"C" = IF SPECIFIED, MOLDED GUIDE PINS w/CLAW FOR P.C.B. ATTACHMENT IN A  $\phi$ .120 MOUNTING HOLE.  
"D" = IF SPECIFIED, MOLDED GUIDE PINS w/ $\phi$ .120 MOUNTING HOLE (NO CLAW).
- ⑨ CLAW DIMENSION DETERMINED BY P.C.B. HOLE DIAMETER.



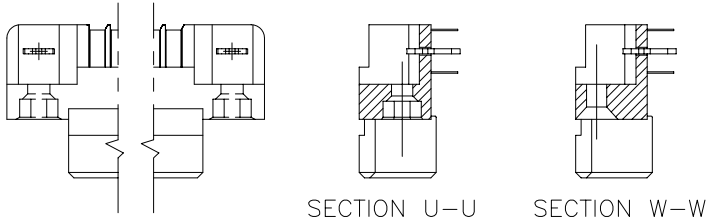
RECOMMENDED PCB LAYOUT  
(ALL HOLES LOCATED ON .100 [2.54] GRID UNLESS OTHERWISE SPECIFIED)

mat'l. code		surface ISO 1302 <input checked="" type="checkbox"/>	tolerance ISO 406 ISO 1101	projection 	product family HPC
ltr	ecn	no	dr	date	title
E					3 ROW R/A RECEPTACLE SOLDER TAIL, 2 GUIDE PINS
				angles	linear
				0°±2'	.XX±.01/.3 .XXX±.005/.13 .XXXX±.0020/.051
				dr	G.HULL 7/28/94
				enr	D. HORCHLER 6/8/94
				chr	D. HORCHLER 7/28/94
				appd	S. CLARK 8/5/94
sheet index		revision	sheet		scale 1:1
					dwg no 50826
					sheet 2 of 3 size A3
					type Product Customer Drawing

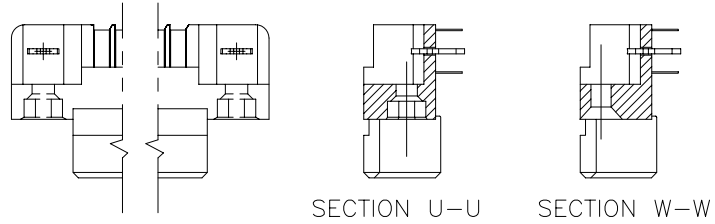
FCI  
FCIconnect.com  
Copyright FCI

PRODUCT NUMBER  
SEE NOTE 1

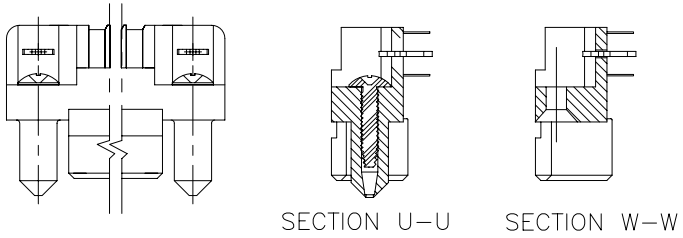
SPECIAL FEATURE OPTION A



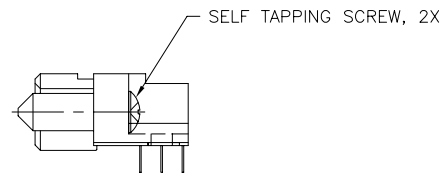
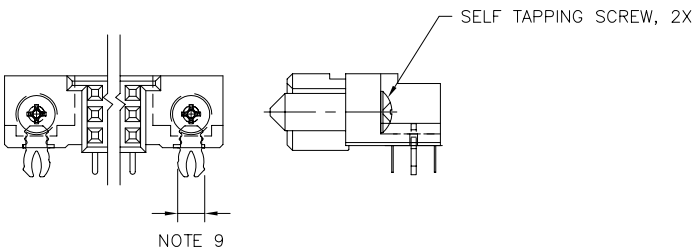
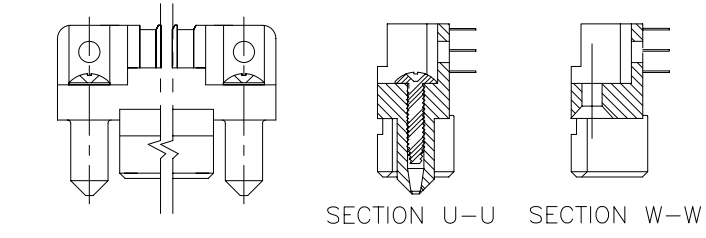
SPECIAL FEATURE OPTION B



SPECIAL FEATURE OPTION C



SPECIAL FEATURE OPTION D



mat'l. code		surface ISO 1302 ✓		tolerance ISO 406 ISO 1101		projection INCH/MM		product family HPC	
ltr	ecn	no	dr	date		tolerances unless otherwise specified		title	
E						angles	.XX±.01/.3	3 ROW R/A RECEPTACLE	
						linear	.XXX±.005/.13	SOLDER TAIL, 2 GUIDE PINS	
						0°±2'	.XXX±.0020/.051	scale 1:1	
			dr	G.HULL 7/28/94				dwg no	
			enr	D. HORCHLER 6/8/94				sheet 3 of 3	
			chr	D. HORCHLER 7/28/94				size	
			appd	S. CLARK 8/5/94				A3	
sheet index		revision sheet						type Product Customer Drawing	