

1.27mm (0.05") Female Header -Single Row

1.27 × 2.54mm (0.05" × 0.1") -Dual Row

High Profile 8.5mm

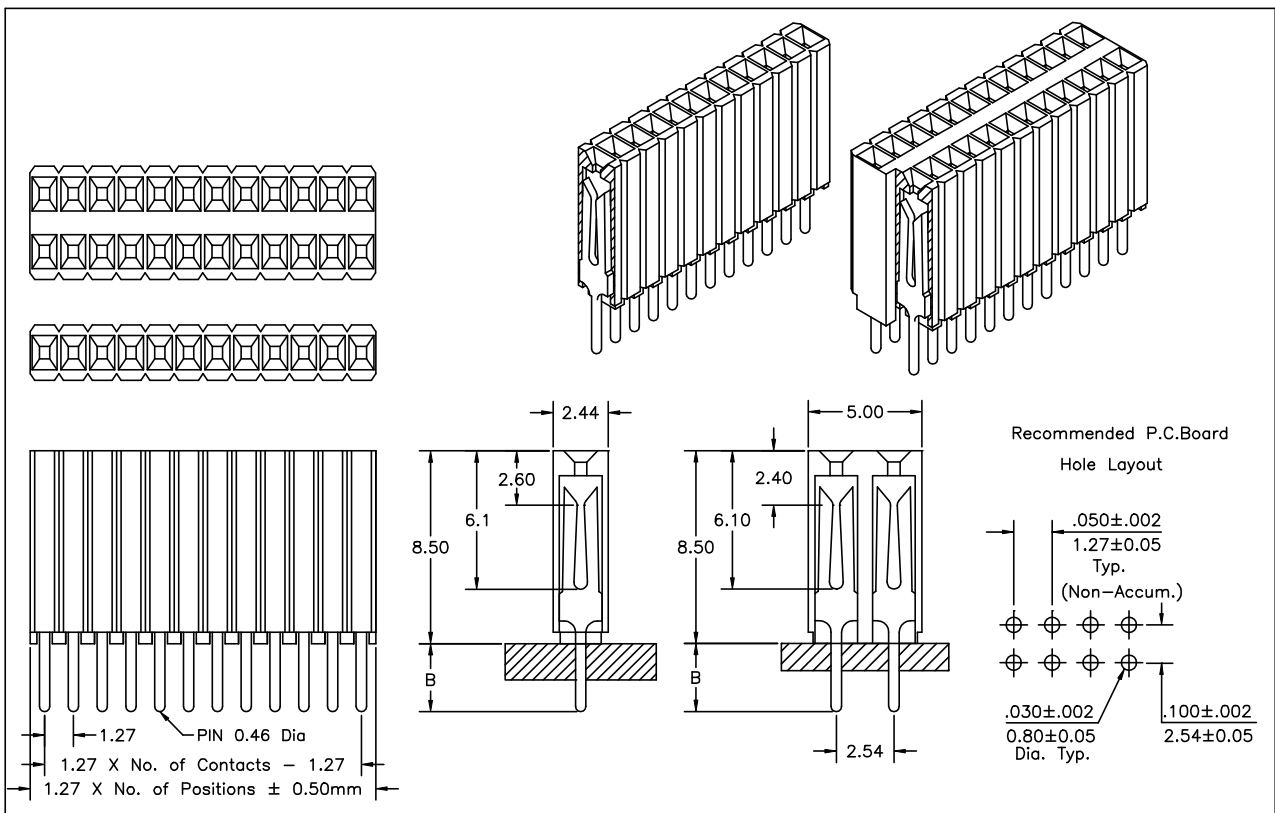
0053X Series

APPLICATION AND FEATURES

1. High density 1.27mm pitch is suitable for devices which require small and light internal parts.
2. High reliability contact structure provides high normal-force after repeated cycles.
3. Mate with 1.27mm pitch and 0.46mm square or round pin header such as 0051S,0151S,0051D & 0151D series.

SPECIFICATIONS

Current Rating: 1 Amp
 Insulator resistance: 5000 Megohms min.
 Contact resistance: 20 m ohm Max.
 Dielectric withstanding: AC 500 V
 Operating Temperature: -40° to +105°C
 Max Processing Temp: 230° for 30~60 seconds
 (260° for 10 seconds)
 Contact Material: Phosphor bronze
 Insulator Material: Polyester,UL 94V-0
 ©Standard: Nylon-6T



Order Information 0053 Series

Example: 0053D-34-S-02-B

Series No.	Number of Contacts	Connector Type	Contact Plating	Pin Length mm
0053D	03 to 100 Contacts	Straight S	Tin Plated 01	B Code
0053S (Single row)	03 to 36 Contacts		Gold Plated	2.7 A
0053D (Double row)	06 to 100 Contacts		Flash 02	3.0 B
			10 μ" 10	
			30 μ" 30	

SINGATRON U.S.A. Tel: (909)464-1883 Fax: (909)464-1884 Email: sales@singatron.com