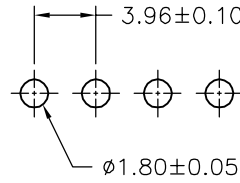
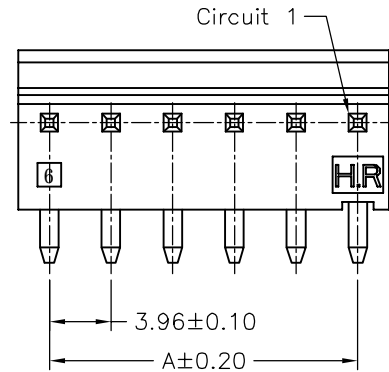


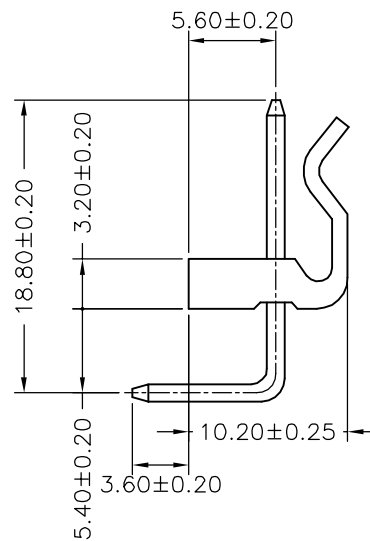
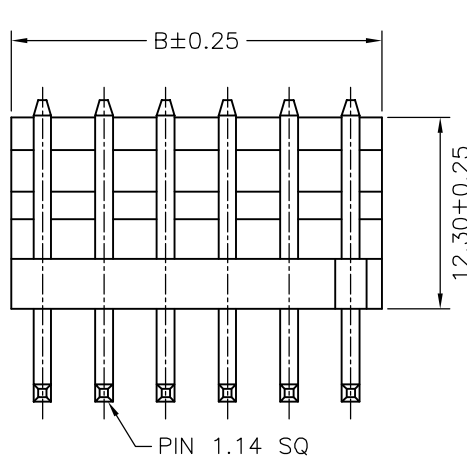
**SPECIFICATIONS**  
 Current Rating: 7A AC,DC  
 Voltage Rating: 250V AC,DC  
 Temperature Range: -25°C ~ +85°C  
 Contact Resistance: 10mΩ Max  
 Insulation Resistance: 1000MΩ Min  
 Withstanding Voltage: 1500V AC/minute  
 Pin Material: Brass/Tin-plated  
 Material: Nylon 66,UL94V-2  
 Color: Natural(Translucent)

**Ordering Information & Dimensions**

PART NO.	Dimensions	
	A	B
A3960WR-02P	3.96	7.92
A3960WR-03P	7.92	11.88
A3960WR-04P	11.88	15.84
A3960WR-05P	15.84	19.80
A3960WR-06P	19.80	23.76
A3960WR-07P	23.76	27.72
A3960WR-08P	27.72	31.68
A3960WR-09P	31.68	35.64
A3960WR-10P	35.64	39.60
A3960WR-11P	39.60	43.56
A3960WR-12P	43.56	47.52
A3960WR-13P	47.52	51.48
A3960WR-14P	51.48	55.44
A3960WR-15P	55.44	59.40
A3960WR-16P	59.40	63.36
A3960WR-17P	63.36	67.32
A3960WR-18P	67.32	71.28
A3960WR-19P	71.28	75.24
A3960WR-20P	75.24	79.20



P.C.B LAYOUT



				UNIT SCALE SHEET mm 1 of 1		TITLE:  <b>3.96mm PITCH 90° WAFER</b>
				DRAWN BY APPROVED BY 董正一 董正一 2001.02.01 2001.02.01		
		GENERAL TOLERANCE		ANGLE±		DRAW NO.: A3960WR-XP REV. B1
B1	REVISE	2006.10.31	X. X±0.25			
B0	NEW RELEASE	2006.05.29	X. XX±0.15			
REV.	DESCRIPTION	DATE	X. XXX±0.05			