



**SURFACE MOUNT ZENER DIODE**

**Features**

- Planar Die Construction
- Ultra-Small Surface Mount Package
- Ideally suited for Automated Assembly Processes
- Halogen-free

**Mechanical Data**

- Case: SOD-323, Plastic
- Case material - UL Flammability Rating Classification 94V-0
- Moisture sensitivity: Level 1 per J-STD-020A
- Terminals: Solderable per MIL-STD-202, Method 208
- Polarity: Cathode Band



**SOD323**

Marking Information:



XX = Product Type Marking Code  
(See Table Above)

**Maximum Ratings** @ T<sub>A</sub> = 25°C unless otherwise specified

Characteristic	Symbol	Value	Unit
Forward Voltage (Note 2) @ I <sub>F</sub> = 10mA	V <sub>F</sub>	0.9	V
Power Dissipation (Note 1)	P <sub>d</sub>	200	mW
Thermal Resistance, Junction to Ambient Air (Note 1)	R <sub>θJA</sub>	625	°C/W
Operating and Storage Temperature Range	T <sub>J</sub> , T <sub>STG</sub>	-65 to +150	°C

Notes: 1. Part mounted on FR-4 PC board with recommended pad layout  
2. Short duration test pulse used in minimize self-heating effect.

Electrical Characteristics @ T<sub>A</sub> = 25°C unless otherwise specified

Type Number	Device Marking	V <sub>z</sub> (V) *1			I <sub>ZT</sub>	Z <sub>ZT</sub> @I <sub>ZT</sub>	Z <sub>ZK</sub> @I <sub>ZK</sub>	I <sub>zk</sub>	I <sub>R</sub>	V <sub>R</sub>
		Nom(V)	Min(V)	Max(V)	mA	Ω		(mA)	(μA)	(V)
BZT52C2V0S	WY	2.0	1.91	2.09	5	100	600	1.0	150	1.0
BZT52C2V4S	WX	2.4	2.28	2.52	5	100	600	1.0	50	1.0
BZT52C2V7S	W1	2.7	2.57	2.84	5	100	600	1.0	20	1.0
BZT52C3V0S	W2	3.0	2.85	3.15	5	95	600	1.0	10	1.0
BZT52C3V3S	W3	3.3	3.14	3.47	5	95	600	1.0	5	1.0
BZT52C3V6S	W4	3.6	3.42	3.78	5	90	600	1.0	5	1.0
BZT52C3V9S	W5	3.9	3.71	4.10	5	90	600	1.0	3	1.0
BZT52C4V3S	W6	4.3	4.09	4.52	5	90	600	1.0	3	1.0
BZT52C4V7S	W7	4.7	4.47	4.94	5	80	500	1.0	3	2.0
BZT52C5V1S	W8	5.1	4.85	5.36	5	60	480	1.0	2	2.0
BZT52C5V6S	W9	5.6	5.32	5.88	5	40	400	1.0	1	2.0
BZT52C6V2S	WA	6.2	5.89	6.51	5	10	150	1.0	3	4.0
BZT52C6V8S	WB	6.8	6.46	7.14	5	15	80	1.0	2	4.0
BZT52C7V5S	WC	7.5	7.13	7.88	5	15	80	1.0	1	5.0
BZT52C8V2S	WD	8.2	7.79	8.61	5	15	80	1.0	0.7	5.0
BZT52C9V1S	WE	9.1	8.65	9.56	5	15	100	1.0	0.5	6.0
BZT52C10S	WF	10.0	9.50	10.50	5	20	150	1.0	0.2	7.0
BZT52C11S	WG	11.0	10.45	11.55	5	20	150	1.0	0.1	8.0
BZT52C12S	WH	12.0	11.40	12.60	5	25	150	1.0	0.1	8.0
BZT52C13S	WI	13.0	12.35	13.65	5	30	170	1.0	0.1	8.0
BZT52C15S	WJ	15.0	14.25	15.75	5	30	200	1.0	0.1	10.5
BZT52C16S	WK	16.0	15.20	16.80	5	40	200	1.0	0.1	11.2
BZT52C18S	WL	18.0	17.10	18.90	5	45	225	1.0	0.1	12.6
BZT52C20S	WM	20.0	19.00	21.00	5	55	225	1.0	0.1	14.0
BZT52C22S	WN	22.0	20.90	23.10	5	55	250	1.0	0.1	15.4
BZT52C24S	WO	24.0	22.80	25.20	5	70	250	1.0	0.1	16.8
BZT52C27S	WP	27.0	25.65	28.35	2	80	300	0.5	0.1	18.9
BZT52C30S	WQ	30.0	28.50	31.50	2	80	300	0.5	0.1	21.0
BZT52C33S	WR	33.0	31.35	34.65	2	80	325	0.5	0.1	23.1
BZT52C36S	WS	36.0	34.20	37.80	2	90	350	0.5	0.1	25.2
BZT52C39S	WT	39.0	37.05	40.95	2	130	350	0.5	0.1	27.3
BZT52C43S	WU	43.0	40.85	45.15	2	130	350	0.5	0.1	29.4
BZT52C47S	WV	47.0	44.65	49.35	2	170	1000	0.25	0.1	36
BZT52C51S	X1	51	48.45	53.55	2	180	1300	0.25	0.1	39
BZT52C56S	X2	56	53.20	58.80	2	200	1400	0.25	0.1	43
BZT52C62S	X3	62	58.90	65.10	2	225	1400	0.25	0.1	47
BZT52C68S	X4	68	64.60	71.40	2	240	1600	0.25	0.1	52
BZT52C75S	X5	75	71.25	78.75	2	265	1700	0.25	0.1	56

\*1 Pulse width = 10 ms

## RATING AND CHARACTERISTICS CURVES (BZT52C2V0S THRU BZT52C75S )

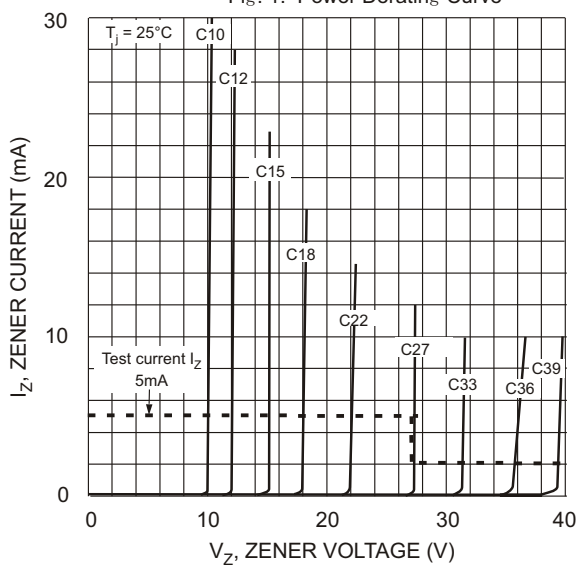
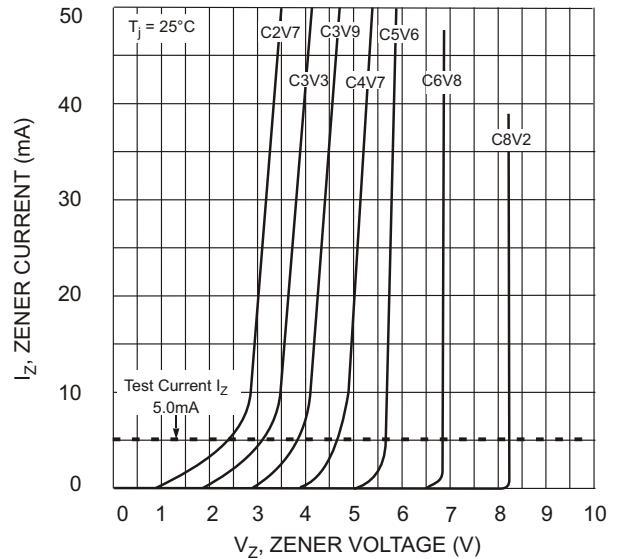
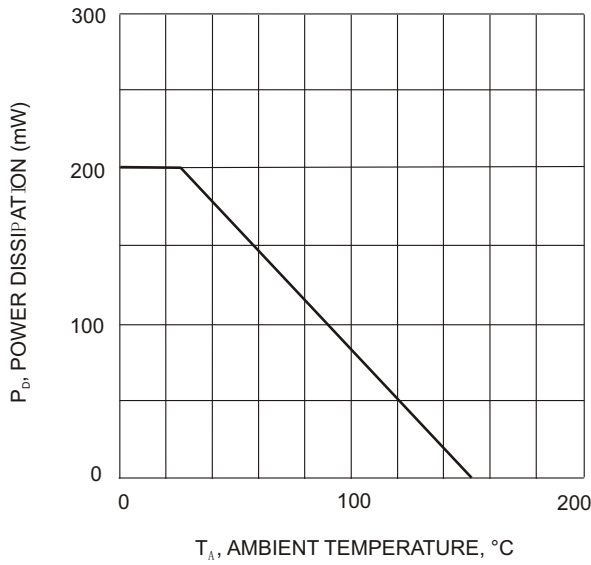


Fig. 3. Zener Breakdown Characteristics

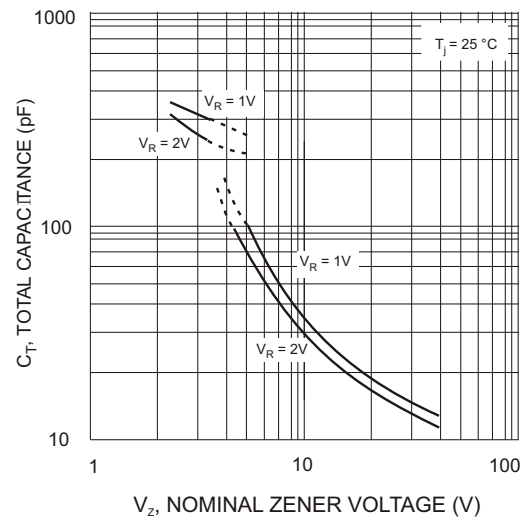
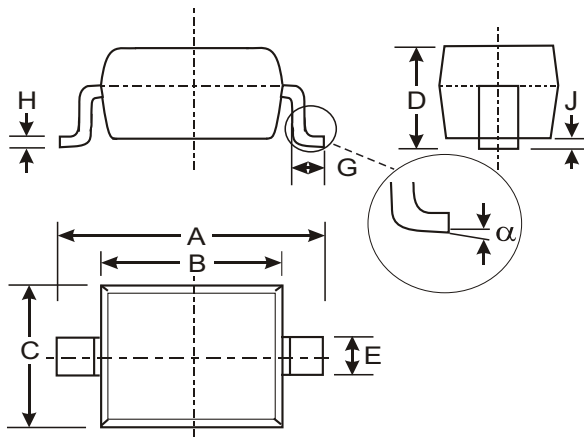


Fig. 4. Total Capacitance vs Nominal Zener Voltage



SOD-323		
Dim	Min	Max
A	2.30	2.70
B	1.60	1.80
C	1.20	1.40
D	1.05 Typical	
E	0.25	0.35
G	0.20	0.40
H	0.10	0.15
J	0.05 Typical	
$\alpha$	0°	8°
All Dimensions in mm		

## PACKAGING OF DIODE AND BRIDGE RECTIFIERS

### REEL PACK

PACKAGE	PACKING CODE	EA PER REEL	EA PER INNER BOX	COMPONENT SPACE (mm)	TAPE SPACE (mm)	REEL DIA (mm)	CARTON SIZE (mm)	EA PER CARTON	GROSS WEIGHT(Kg)
SOD-323	-T	3,000	15,000	---	---	178	390*205*31	120,000	5.17

## DISCLAIMER NOTICE

Rectron Inc reserves the right to make changes without notice to any product specification herein, to make corrections, modifications, enhancements or other changes. Rectron Inc or anyone on its behalf assumes no responsibility or liability for any errors or inaccuracies. Data sheet specifications and its information contained are intended to provide a product description only. "Typical" parameters which may be included on RECTRON data sheets and/ or specifications can and do vary in different applications and actual performance may vary over time. Rectron Inc does not assume any liability arising out of the application or use of any product or circuit.

Rectron products are not designed, intended or authorized for use in medical, life-saving implant or other applications intended for life-sustaining or other related applications where a failure or malfunction of component or circuitry may directly or indirectly cause injury or threaten a life without expressed written approval of Rectron Inc. Customers using or selling Rectron components for use in such applications do so at their own risk and shall agree to fully indemnify Rectron Inc and its subsidiaries harmless against all claims, damages and expenditures.