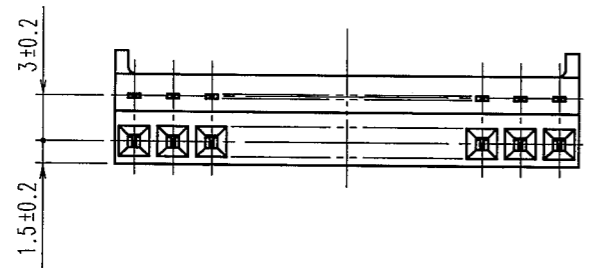
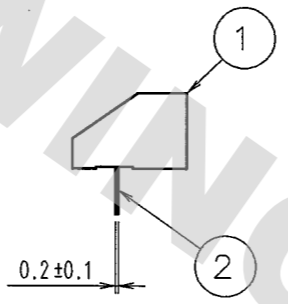
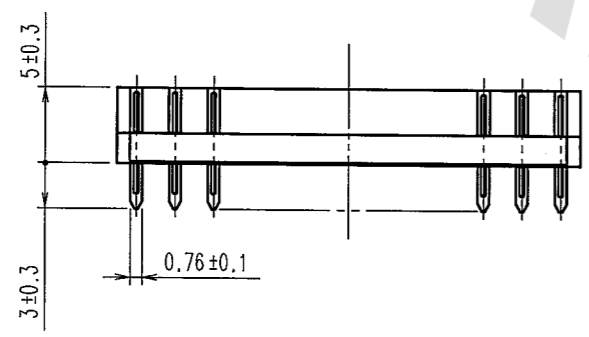
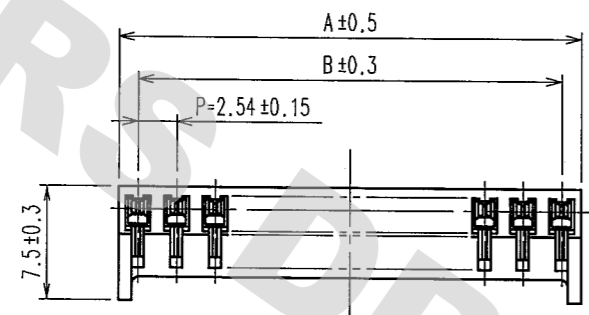


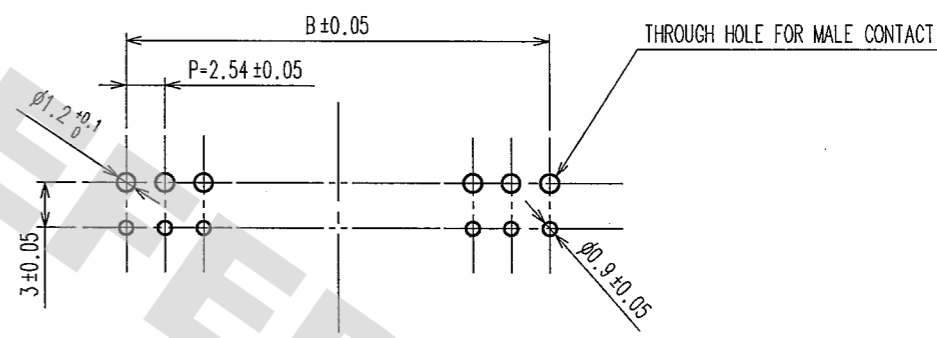
DRAWING FOR REFERENCE: This is subject to change without notice
08/11/2012



COUNT	DESCRIPTION OF REVISIONS	BY	CHKD	DATE	COUNT	DESCRIPTION OF REVISIONS	BY	CHKD	DATE
△				..	△				..
△				..	△				..
△				..	△				..

CODE NO.	PART NO.	NUMBER OF CONTACTS	A	B
CL547-0355-0-56	MDF7- 3S-2.54DSA(56)	3	7.62	5.08
CL547-0112-9-56	MDF7- 5S-2.54DSA(56)	5	12.70	10.16
CL547-0129-1-56	MDF7- 6S-2.54DSA(56)	6	15.24	12.70
CL547-0135-4-56	MDF7- 7S-2.54DSA(56)	7	17.78	15.24
CL547-0136-7-56	MDF7- 8S-2.54DSA(56)	8	20.32	17.78
CL547-0137-0-56	MDF7- 9S-2.54DSA(56)	9	22.86	20.32
CL547-0038-8-56	MDF7-10S-2.54DSA(56)	10	25.40	22.86
CL547-0138-2-56	MDF7-11S-2.54DSA(56)	11	27.94	25.40
CL547-0040-0-56	MDF7-12S-2.54DSA(56)	12	30.48	27.94
CL547-0139-5-56	MDF7-13S-2.54DSA(56)	13	33.02	30.48
CL547-0140-4-56	MDF7-14S-2.54DSA(56)	14	35.56	33.02
CL547-0012-4-56	MDF7-15S-2.54DSA(56)	15	38.10	35.56
CL547-0141-7-56	MDF7-16S-2.54DSA(56)	16	40.64	38.10
CL547-0142-0-56	MDF7-17S-2.54DSA(56)	17	43.18	40.64
CL547-0013-7-56	MDF7-18S-2.54DSA(56)	18	45.72	43.18
CL547-0143-2-56	MDF7-19S-2.54DSA(56)	19	48.26	45.72
CL547-0051-6-56	MDF7-20S-2.54DSA(56)	20	50.80	48.26
CL547-0144-5-56	MDF7-21S-2.54DSA(56)	21	53.34	50.80
CL547-0145-8-56	MDF7-22S-2.54DSA(56)	22	55.88	53.34
CL547-0146-0-56	MDF7-23S-2.54DSA(56)	23	58.42	55.88
CL547-0147-3-56	MDF7-24S-2.54DSA(56)	24	60.96	58.42
CL547-0014-0-56	MDF7-25S-2.54DSA(56)	25	63.50	60.96

RECOMMENDED PC BOARD HOLE PATTERN



1	POLYAMIDE	UL94V-0, BLACK	2	PHOSPHOR BRONZE	CONTACT AREA: GOLD PLATED 0.2µ m min LEAD AREA: TIN PLATED 2µ m min UNDER PLATING: NICKEL 1µ m min		
NO.	MATERIAL	FINISH, REMARKS	NO.	MATERIAL	FINISH, REMARKS		
CODE NO. (OLD)	CL		DRAWN	DESIGNED	CHECKED	APPROVED	RELEASED
			M. Nakamoto '04.04.12	H. Umehara '04.04.13	J. Ono 04.04.15	J. Ono 04.04.15	..
SCALE	DRAWING NO. EDC3-162738-11		PART NO. MDF7-*S-2.54DSA(56)				
UNITS	mm		CODE NO. CL547-				

TO