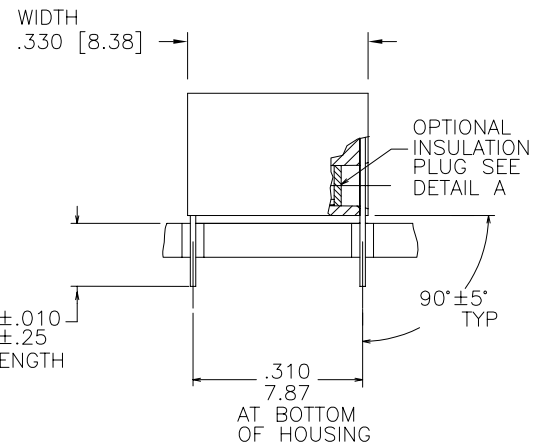
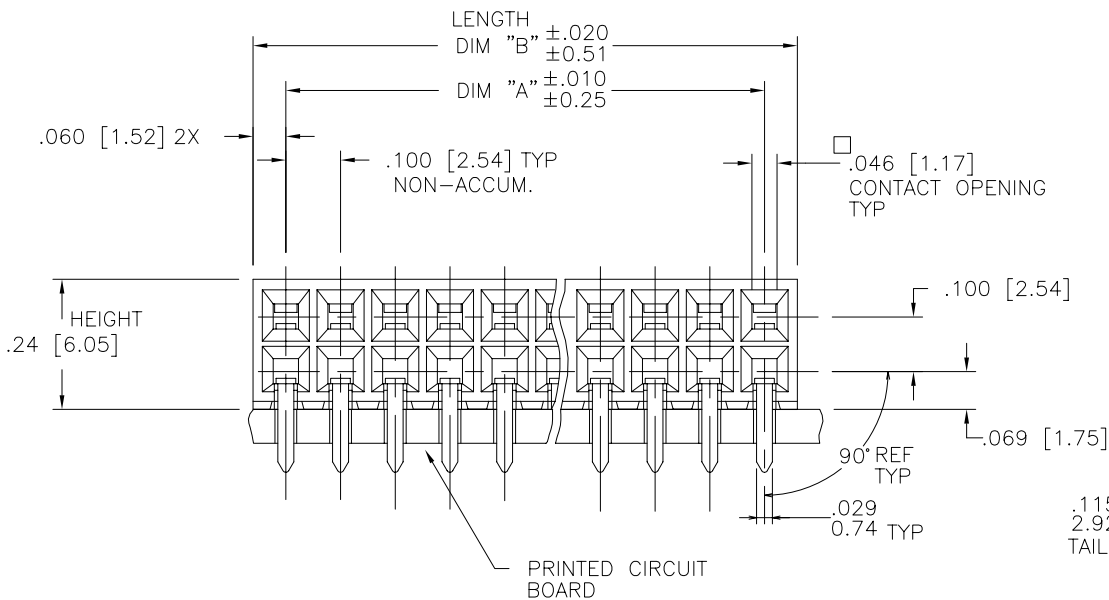
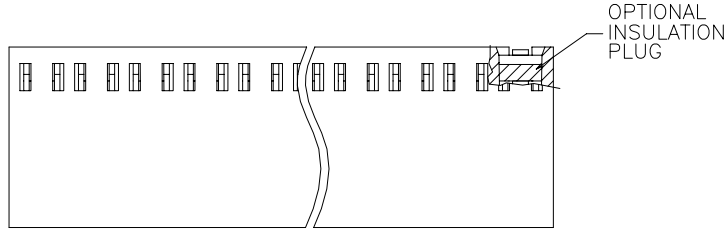


PRODUCT NO
SEE TABLE

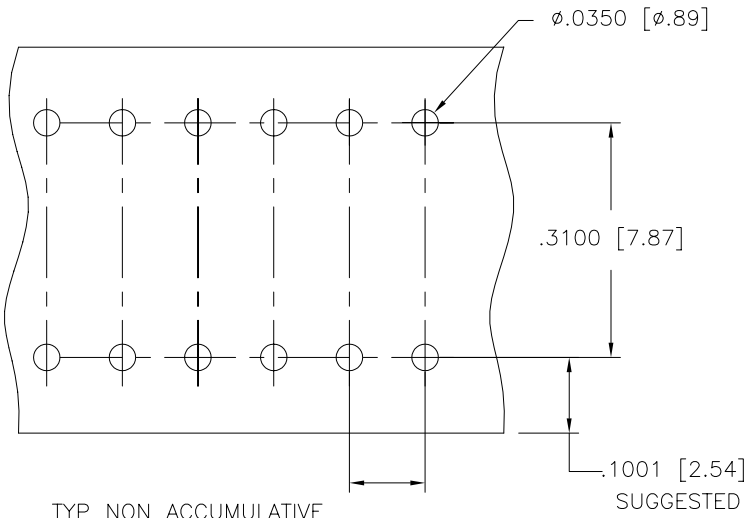


mat'l. code		surface		tolerance		projection		product family	
-		ISO 1302 <input checked="" type="checkbox"/>		ISO 406				CARD CONN	
				ISO 1101					
ltr		ecn no		date		tolerances unless otherwise specified		title	
F	CHG	CHT	JGS	3/16/90	angles	.xx \pm .01/.3		2 x .100 /2.54 HORIZ.	
G	V61635	MDF	12/2/96		linear	.xxx \pm .005/.13		CARD CONNECTOR	
H	V70995	JM	10/19/97	0'±2'		.xxx \pm .0020/.051		scale 2:1	
J	V02518	MDF	10/24/00	dr	J. SHREINER	3/16/90		dwg no	
K	M05-0181	ERE	09/05/05	enr	M. HAHN	3/16/90		sheet 1 of 6 size	
L	M06-0117	AEA	06/26/06	chr	M. HAHN	3/16/90		66928	
M	M07-0137	MHT	2/26/07	appd	M. HAHN	3/16/90		A3	
sheet		revision		M		M		type	
index		sheet		1		2		Product Customer Drawing	
				3		4			
				5		6			



Copyright FCI

PRODUCT NO
SEE TABLE



TYP NON ACCUMULATIVE

FIGURE # "1"
RECOMMENDED MOUNTING
HOLE PATTERN
SCALE 4/1

NOTES:

- ① HOUSING MATERIAL:
FILLED HIGH TEMPERATURE NYLON
FLAME RETARDANT PER UL 94V-0.
COLOR:
BLACK
- ② TERMINAL MATERIAL:
BODY: BRASS, .010/.25 THICK.
SPRING: BE - CU, HEAT TREATED.
BODY PLATING: 100u"/2.54u PURE TIN (NOTE7) IN CONTACT AREA.
SPRING PLATING: Au FLASH.
3. APPLICATION INFORMATION:
A. RECOMMENDED MOUNTING HOLE PATTERN IS SHOWN IN FIGURE # "1"
B. ALL MATING PINS TO BE .025/0.64 SQUARE ON TRUE
CENTER OF GIVEN TERMINAL SPACING WITHIN .015/0.38 DIA.
C. SUGGESTED MATING PIN LENGTH .350±.020/8.89±0.51.
- ④ ADD "LF" SUFFIX AT THE END OF PART NUMBER FOR LEAD FREE OPTION.
- ⑤ THESE PRODUCTS MEET EUROPEAN UNION DIRECTIVES AND OTHER
COUNTRY REGULATIONS AS DESCRIBED IN GS-22-008.
6. THIS PART WILL WITHSTAND EXPOSURE TO 260°C PEAK TEMPERATURE
FOR 20 SECONDS IN A WAVE SOLDER, INFRA-RED OR VAPOR PHASE
SOLDER PROCESS.
- ⑦ "THIS PRODUCT HAS 100% TIN PLATING IN THE INTERFACE AND
HAS NOT BEEN TESTED FOR WHISKER GROWTH IN ALL INTERCONNECT
ENVIRONMENTS."



FCIconnect.com

Copyright FCI

mat'l. code		surface		tolerance		projection		product family	
-		ISO 1302 ✓		ISO 406 ISO 1101		⊕		CARD CONN	
ltr		ecn no dr		date		tolerances unless otherwise specified		title	
M						.xx±.01/.3 linear .xxx ±.005/.13 0'±2' .xxx ±.0020/.051		2 x .100 /2.54 HORIZ. CARD CONNECTOR	
		dr		J. SHREINER		3/16/90		dwg no	
		enr		M. HAHN		3/16/90		sheet 2 of 6 size	
		chr		M. HAHN		3/16/90		66928 A3	
		appd		M. HAHN		3/16/90		type Product Customer Drawing	
sheet index		revision sheet							

PRODUCT NO.	NO. OF POS.	DIM "A"	DIM "B"	INSULATION PLUG	LEAD FREE OPTION
66928-001	2X1	.00/0.0	.120/3.05	NO	UNASSIGNED
-002	2X2	.10/2.5	.220/5.59	NO	UNASSIGNED
-003	2X3	.20/5.1	.320/8.13	NO	NOTE 5, 6
-004	2X4	.30/7.6	.420/10.67		
-005	2X5	.40/10.2	.520/13.21		
-006	2X6	.50/12.7	.620/15.75		
-007	2X7	.60/15.2	.720/18.27		
-008	2X8	.70/17.8	.820/20.83		
-009	2X9	.80/20.3	.920/23.37		
-010	2X10	.90/22.9	1.020/25.91		
-011	2X11	1.00/25.4	1.120/28.45		
-012	2X12	1.10/27.9	1.220/30.99		
-013	2X13	1.20/30.5	1.320/33.53		
-014	2X14	1.30/33.0	1.420/36.07		
-015	2X15	1.40/35.6	1.520/38.61		
-016	2X16	1.50/38.1	1.620/41.15		
-017	2X17	1.60/40.6	1.720/43.69		
-018	2X18	1.70/43.2	1.820/46.23		
-019	2X19	1.80/45.7	1.920/48.77		
-020	2X20	1.90/48.3	2.020/51.31		
-021	2X21	2.00/50.8	2.120/53.85		
-022	2X22	2.10/53.3	2.220/56.39		
-023	2X23	2.20/55.9	2.320/58.93		
-024	2X24	2.30/58.4	2.420/61.47		
-025	2X25	2.40/61.0	2.520/64.01		
-026	2X26	2.50/63.5	2.620/66.55		
-027	2X27	2.60/66.0	2.720/69.09		
-028	2X28	2.70/68.6	2.820/71.63		
-029	2X29	2.80/71.1	2.920/74.17		
-030	2X30	2.90/73.7	3.020/76.71		
-031	2X31	3.00/76.2	3.120/79.25		
-032	2X32	3.10/78.7	3.220/81.79		
-033	2X33	3.20/81.3	3.320/84.33		
-034	2X34	3.30/83.8	3.420/86.87		
-035	2X35	3.40/86.4	3.520/89.41		
-036	2X36	3.50/88.9	3.620/91.95		
-037	2X37	3.60/91.4	3.720/94.49		
-038	2X38	3.70/94.0	3.820/97.03		
-039	2X39	3.80/96.5	3.920/99.57		
66928-040	2X40	3.90/99.1	4.020/102.11	NO	NOTE 5, 6



FCIconnect.com

Copyright FCI

mat'l. code		surface		tolerance		projection		product family	
-		ISO 1302 ✓		ISO 406		⊕		CARD CONN	
ltr		ecn no dr		date		tolerances unless otherwise specified		title	
M						.XX±.01/.3		2 x .100 /2.54 HORIZ.	
						linear .XXX ±.005/.13		CARD CONNECTOR	
						0'±2'		scale 1:1	
						.XXX ±.0020/.051		dwg no sheet 3 of 6 size	
				dr J. SHREINER 3/16/90				66928 A3	
				enr M. HAHN 3/16/90				type Product Customer Drawing	
				chr M. HAHN 3/16/90					
				appd M. HAHN 3/16/90					
sheet index		revision sheet							

form: A3 1 2 3 4 5 6

PRODUCT NO.	NO. OF POS.	DIM "A"	DIM "B"	INSULATION PLUG	LEAD FREE OPTION
66928-041	2X41	4.00/101.6	4.120/104.65	NO	NOTE 5, 6
-042	2X42	4.10/104.1	4.220/107.19		
-043	2X43	4.20/106.6	4.320/109.73		
-044	2X44	4.30/109.2	4.420/112.27		
-045	2X45	4.40/111.8	4.520/114.81		
-046	2X46	4.50/114.4	4.620/117.35		
-047	2X47	4.60/116.8	4.720/119.89		
-048	2X48	4.70/119.4	4.820/122.43		
-049	2X49	4.80/121.9	4.920/124.97		
-050	2X50	4.90/124.5	5.020/127.51		
-051	2X51	5.00/127.0	5.120/130.05		
-052	2X52	5.10/129.5	5.220/132.59		
-053	2X53	5.20/132.1	5.320/135.15		
-054	2X54	5.30/134.6	5.420/137.67		
-055	2X55	5.40/137.2	5.520/140.21		
-056	2X56	5.50/139.8	5.620/142.76		
-057	2X57	5.60/142.2	5.720/145.29		
-058	2X58	5.70/144.8	5.820/147.83		
-059	2X59	5.80/147.3	5.920/150.37		
-060	2X60	5.90/149.9	6.020/152.91		
-061	2X61	6.00/152.4	6.120/155.45		
-062	2X62	6.10/154.9	6.220/157.99		
-063	2X63	6.20/157.5	6.320/160.53		
-064	2X64	6.30/160.0	6.420/163.07		
-065	2X65	6.40/162.6	6.520/165.61	NO	NOTE 5, 6

66928-066 THRU -100

OBSOLETE



FCIconnect.com

Copyright FCI

mat'l. code		surface		tolerance		projection		product family	
-		ISO 1302		ISO 406				CARD CONN	
ltr		ecn no		date		tolerances unless otherwise specified		title	
M						.XX±.01/.3 .XXX ±.005/.13 .XXXX ±.0020/.051		2 x .100 /2.54 HORIZ. CARD CONNECTOR	
				0'±2'		INCH/MM		scale 1:1	
				dr J. SHREINER		3/16/90		dwg no	
				enr M. HAHN		3/16/90		sheet 4 of 6 size	
				chr M. HAHN		3/16/90		66928 A3	
				appd M. HAHN		3/16/90		type Product Customer Drawing	
sheet index		revision sheet							



PRODUCT NO.	NO. OF POS.	DIM "A"	DIM "B"	INSULATION PLUG	LEAD FREE OPTION
66928-501	2X1	.00/0.0	.120/3.05	YES	
-502	2X2	.10/2.5	.220/5.59	YES	
-503	2X3	.20/5.1	.320/8.13	YES	
-504	2X4	.30/7.6	.420/10.67		
-505	2X5	.40/10.2	.520/13.21		
-506	2X6	.50/12.7	.620/15.75		
-507	2X7	.60/15.2	.720/18.27		
-508	2X8	.70/17.8	.820/20.83		
-509	2X9	.80/20.3	.920/23.37		
-510	2X10	.90/22.9	1.020/25.91		
-511	2X11	1.00/25.4	1.120/28.45		
-512	2X12	1.10/27.9	1.220/30.99		
-513	2X13	1.20/30.5	1.320/33.53		
-514	2X14	1.30/33.0	1.420/36.07		
-515	2X15	1.40/35.6	1.520/38.61		
-516	2X16	1.50/38.1	1.620/41.15		
-517	2X17	1.60/40.6	1.720/43.69		
-518	2X18	1.70/43.2	1.820/46.23		
-519	2X19	1.80/45.7	1.920/48.77		
-520	2X20	1.90/48.3	2.020/51.31		
-521	2X21	2.00/50.8	2.120/53.85		
-522	2X22	2.10/53.3	2.220/56.39		
-523	2X23	2.20/55.9	2.320/58.93		
-524	2X24	2.30/58.4	2.420/61.47		
-525	2X25	2.40/61.0	2.520/64.01		
-526	2X26	2.50/63.5	2.620/66.55		
-527	2X27	2.60/66.0	2.720/69.09		
-528	2X28	2.70/68.6	2.820/71.63		
-529	2X29	2.80/71.1	2.920/74.17		
-530	2X30	2.90/73.7	3.020/76.71		
-531	2X31	3.00/76.2	3.120/79.25		
-532	2X32	3.10/78.7	3.220/81.79		
-533	2X33	3.20/81.3	3.320/84.33		
-534	2X34	3.30/83.8	3.420/86.87		
-535	2X35	3.40/86.4	3.520/89.41		
-536	2X36	3.50/88.9	3.620/91.95		
-537	2X37	3.60/91.4	3.720/94.49		
-538	2X38	3.70/94.0	3.820/97.03		
-539	2X39	3.80/96.5	3.920/99.57		
66928-540	2X40	3.90/99.6	4.020/102.11	YES	

NOTE 5, 6

mat'l. code		surface		tolerance		projection		product family	
-		ISO 1302 <input checked="" type="checkbox"/>		ISO 406				CARD CONN	
ltr		ecn no dr		date		tolerances unless otherwise specified		title	
M						.xx±.01/.3		2 x .100 /2.54 HORIZ.	
						.xxx ±.005/.13		CARD CONNECTOR	
						.xxxx ±.0020/.051		scale 1:1	
								dwg no	
				dr J. SHREINER		3/16/90		sheet 5 of 6 size	
				enr M. HAHN		3/16/90		66928	
				chr M. HAHN		3/16/90		A3	
				appd M. HAHN		3/16/90		type Product Customer Drawing	
sheet index		revision sheet							



Copyright FCI

PRODUCT NO.	NO. OF POS.	DIM "A"	DIM "B"	INSULATION PLUG	LEAD FREE OPTION
66928-541	2X41	4.00/101.6	4.120/104.65	YES	NOTE 5, 6
-542	2X42	4.10/104.1	4.220/107.19		
-543	2X43	4.20/106.7	4.320/109.73		
-544	2X44	4.30/109.2	4.420/112.27		
-545	2X45	4.40/111.8	4.520/114.81		
-546	2X46	4.50/114.3	4.620/117.35		
-547	2X47	4.60/116.8	4.720/119.89		
-548	2X48	4.70/119.4	4.820/122.43		
-549	2X49	4.80/121.9	4.920/124.97		
-550	2X50	4.90/124.5	5.020/127.51		
-551	2X51	5.00/127.0	5.120/130.05		
-552	2X52	5.10/129.5	5.220/132.59		
-553	2X53	5.20/132.1	5.320/135.15		
-554	2X54	5.30/134.6	5.420/137.67		
-555	2X55	5.40/137.2	5.520/140.21		
-556	2X56	5.50/139.7	5.620/142.76		
-557	2X57	5.60/142.2	5.720/145.29		
-558	2X58	5.70/144.8	5.820/147.83		
-559	2X59	5.80/147.3	5.920/150.37		
-560	2X60	5.90/149.9	6.020/152.91		
-561	2X61	6.00/152.4	6.120/155.45		
-562	2X62	6.10/154.9	6.220/157.99		
-563	2X63	6.20/157.5	6.320/160.53		
-564	2X64	6.30/160.0	6.420/163.07		
-565	2X65	6.40/162.6	6.520/165.61	YES	NOTE 5, 6
66928-566 THRU -100					OBSOLETE
66928-801 & 802					OBSOLETE



FCJconnect.com

Copyright FCJ

mat'l. code		surface		tolerance		projection		product family	
-		ISO 1302 ✓		ISO 406				CARD CONN	
ltr		ecn no dr		date		tolerances unless otherwise specified		title	
M						.XX±.01/.3 .XXX ±.005/.13 .XXXX ±.0020/.051		2 x .100 /2.54 HORIZ. CARD CONNECTOR	
				0'±2'		linear		INCH/MM	
								scale 1:1	
				dr		J. SHREINER		3/16/90	
				enr		M. HAHN		3/16/90	
				chr		M. HAHN		3/16/90	
				appd		M. HAHN		3/16/90	
sheet index		revision sheet							

