

SPECIFICATIONS

Mechanical

Operating Force & Durability: 80±30gf 2000000 Cycles Min.

Travel: 0.5±0.2mm

Solderability: 260 max. 5s min.

Electrical

Rating: 12V DC 50mA

Contact Resistance: 100m max.

Insulation Resistance: 100M min.

Dielectric Withstanding Voltage: 250V AC Min.

Bounce: 5ms max.

Physical

Housing: Thermoplastic, UL 94V-0 rated in Black Color

Contact: Copper alloy

Plating: See "ORDERING INFORMATION"

Solder Pad: Copper alloy

Operating Temperature: -20 to +70

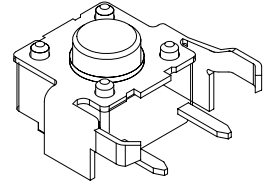
Switch

Tact Switch

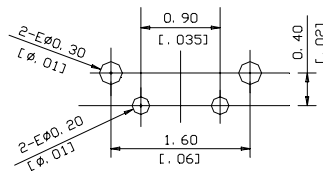
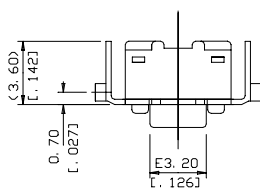
Vertical, T/H Type

4.5mm [.177"] Pitch

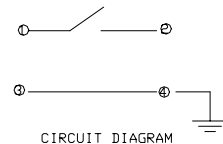
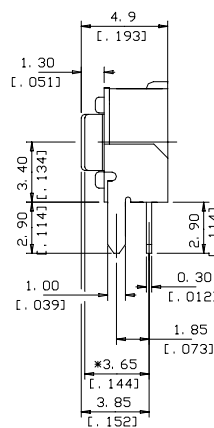
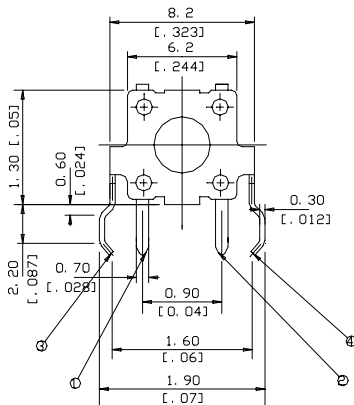
2 Pos.



DRAWING



RECOMMENDED P. C. B. LAYOUT



CIRCUIT DIAGRAM

ORDERING INFORMATION

PRODUCT NO.: 1BT003-2 6 0 3 0

- Switch Series
- Tact Type
- Product Series
- Prod. Size: 2=6.00mm*6.00mm
- Total height: 6=5.0mm
- Plating: 0=Standard, L=Lead free
- Terminal Type: 0= SMT, 2= T/H, 3= Right Angle
- Operation Force: 0=80gf, 1=100gf, 2=160gf, 3=260gf