

2.54mm (0.1") Edge Card Connector

(Straight & Right Angle)

2806 Series

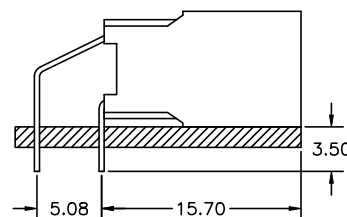
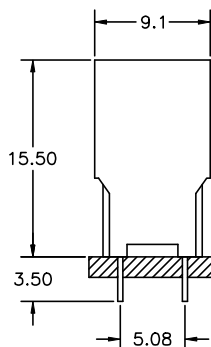
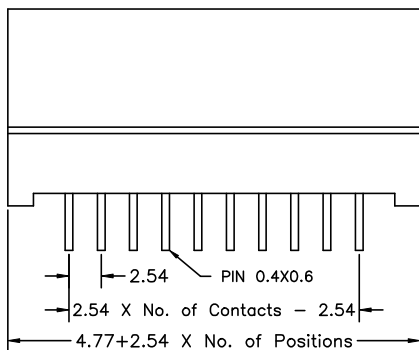
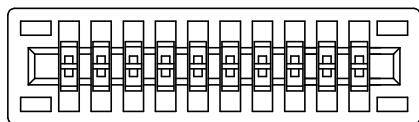
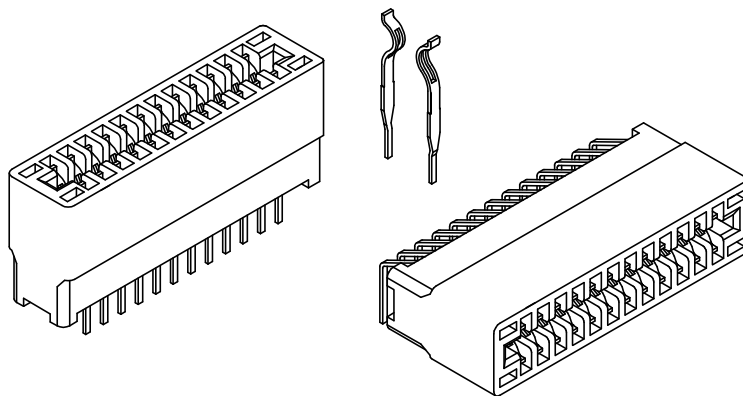
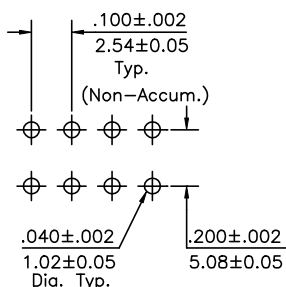
APPLICATION AND FEATURES

1. 2.54mm contact center pitch.
2. Bifurcated anti-lever beam type.
3. Accept P.C.Board of thickness 1.4~1.6mm.
4. For easy insertion and extraction to P.C.Board without damage.

SPECIFICATIONS

Current Rating: 3 Amps
 Insulator resistance: 5000 Megohms min.
 Contact resistance: 20 m ohm Max.
 Dielectric withstanding: AC 500 V
 Operating Temperature: -40° to +105°C
 Contact Material: Phosphor bronze or Bronze
 Insulator Material: Polyester, UL 94V-0
 ©Standard: P.B.T

Recommended P.C.Board Hole Layout



Order Information 2806 Series

Example: 2806 - 34 - S - 02 - B

Series No.	Number of Contacts	Connector Type	Contact Plating	Pin Type
2806	06 to 100 Contacts	Straight <input type="checkbox"/> S	Tin Plated <input type="checkbox"/> 01	Pin Material:
		Right Angle <input type="checkbox"/> R	Gold Plated	Bronze <input type="checkbox"/> B
			Flash <input type="checkbox"/> 02	Phosphor-Bronze <input type="checkbox"/> P
			10 μ" <input type="checkbox"/> 10	
			30 μ" <input type="checkbox"/> 30	