


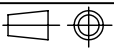
■ SPECIFICATIONS

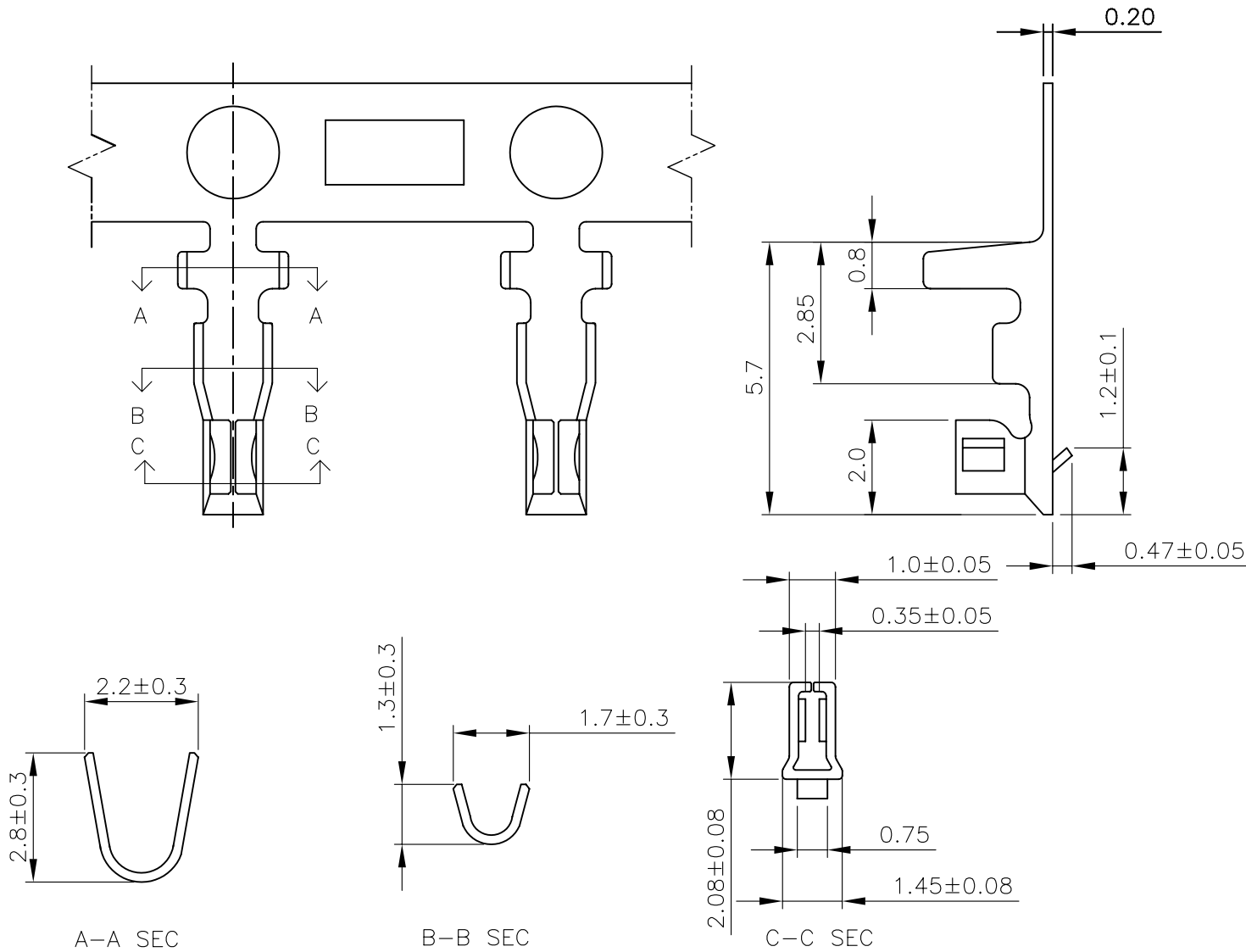
- Voltage Rating : 100V AC/DC
- Current Rating : 2A AC/DC
- Withstanding Voltage : 800V AC/minute
- Insulation Resistance : 1,000MΩ min
- Temperature range : - 25°C to + 85°C
- Contact resistance : 20mΩ max

■ HOUSING

- Part No. : JS-1124-XX
- Poles : 2-16
- Material : Nylon 66 UL94V-0
- Q' ty : 1,000 pcs/Bag

Poles	Part No.	Dimension(mm)	
		A	B
2	JS-1124-02	2.00	5.80
3	JS-1124-03	4.00	7.80
4	JS-1124-04	6.00	9.80
5	JS-1124-05	8.00	11.80
6	JS-1124-06	10.00	13.80
7	JS-1124-07	12.00	15.80
8	JS-1124-08	14.00	17.80
9	JS-1124-09	16.00	19.80
10	JS-1124-10	18.00	21.80
11	JS-1124-11	20.00	23.80
12	JS-1124-12	22.00	25.80
13	JS-1124-13	24.00	27.80
14	JS-1124-14	26.00	29.80
15	JS-1124-15	28.00	31.80
16	JS-1124-16	30.00	33.80

2.00mm Disconnectable crimp style Housing			 喬訊電子工業股份有限公司 CHYAO SHIUNN ELECTRONIC INDUSTRIAL LTD.	TOLERANCE	
				.0 ±0.3	.00 ±0.2
			APPROVED BY	DATE	SCALE
			林陳鑠	2003/06/03	4:1
			CHECKED BY	UNIT	
			林勇生	mm	
			DRAWN BY	VER. NO.	
LTR	REVISION RECORD	DATE	邱森鴻	D	A4
					PART NO
					JS-1124-XX



■ SPECIFICATIONS

- Voltage Rating : 100V AC/DC
- Current Rating : 2A AC/DC
- Withstanding Voltage : 800V AC/minute
- Insulation Resistance : 1,000MΩ min
- Temperature Range : - 25°C to + 85°C
- Contact Resistance : 20mΩ max

■ TERMINAL

- Part No. : JS-1124-T, JS-1124-T(G)
- Applicable Wires : AWG # 22 - 28
- Material : Phos. Bronze
- Finish : Tin Plated, Gold Plated
- Thickness : 0.2mm
- Q' ty : 10,000 pcs/Reel

2.00mm Disconnectable crimp style connectors Terminal



喬訊電子工業股份有限公司

CHYAO SHIUNN
ELECTRONIC INDUSTRIAL LTD.

TOLERANCE

.0 ±0.3
.00 ±0.2
.000 ±0.1

ECR 200307-005 2003/07/18

APPROVED BY

林陳鑠

DATE

2003/07/18

SCALE

6:1

PART NO

CHECKED BY

林勇生

UNIT

mm



JS-1124-T

DRAWN BY

邱森鴻

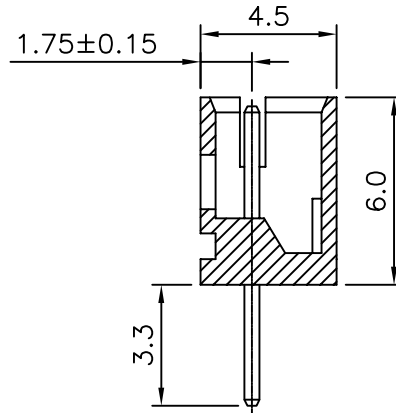
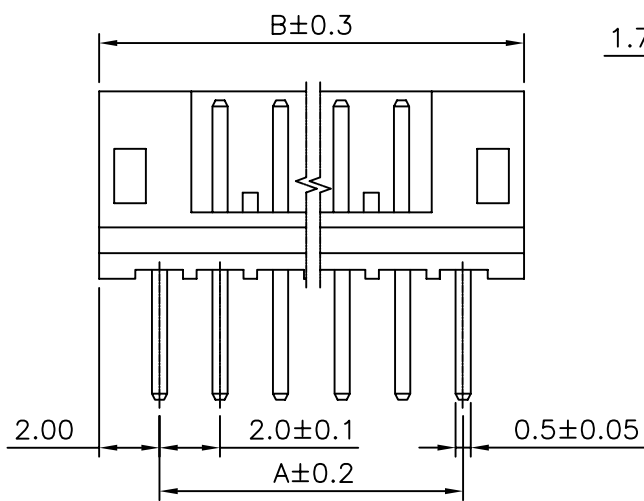
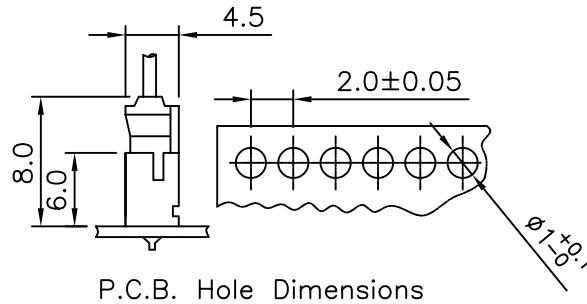
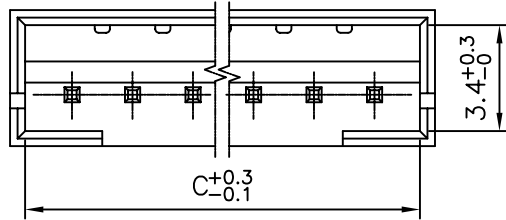
VER. NO.

D1

SIZE

A4

LTR REVISION RECORD DATE



■ SPECIFICATIONS

- Voltage Rating : 100V AC/DC
- Current Rating : 2A AC/DC
- Withstanding Voltage : 800V AC/minute
- Insulation Resistance : 1,000MΩ min
- Temperature Range : - 25°C to + 85°C
- Contact Resistance : 20mΩ max

■ WAFER

- Part No. : JS-1125-XX
- Poles : 2-16
- Material : Contact : Brass, Tin Plated
- Base : Nylon 66 UL94V-0
- Q'ty : 1,000 pcs/Bag

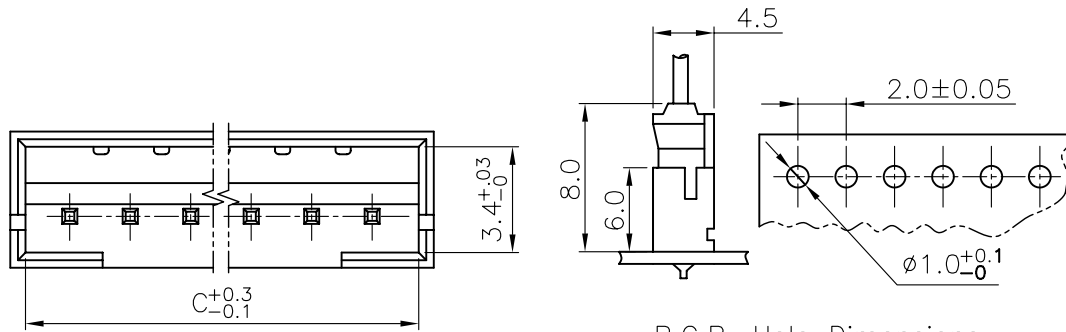
Poles	Part No.	Dimension(mm)		
		A	B	C
2	JS-1125-02	2.00	6.00	5.00
3	JS-1125-03	4.00	8.00	7.00
4	JS-1125-04	6.00	10.00	9.00
5	JS-1125-05	8.00	12.00	11.00
6	JS-1125-06	10.00	14.00	13.00
7	JS-1125-07	12.00	16.00	15.00
8	JS-1125-08	14.00	18.00	17.00
9	JS-1125-09	16.00	20.00	19.00
10	JS-1125-10	18.00	22.00	21.00
11	JS-1125-11	20.00	24.00	23.00
12	JS-1125-12	22.00	26.00	25.00
13	JS-1125-13	24.00	28.00	27.00
14	JS-1125-14	26.00	30.00	29.00
15	JS-1125-15	28.00	32.00	31.00
16	JS-1125-16	30.00	34.00	33.00



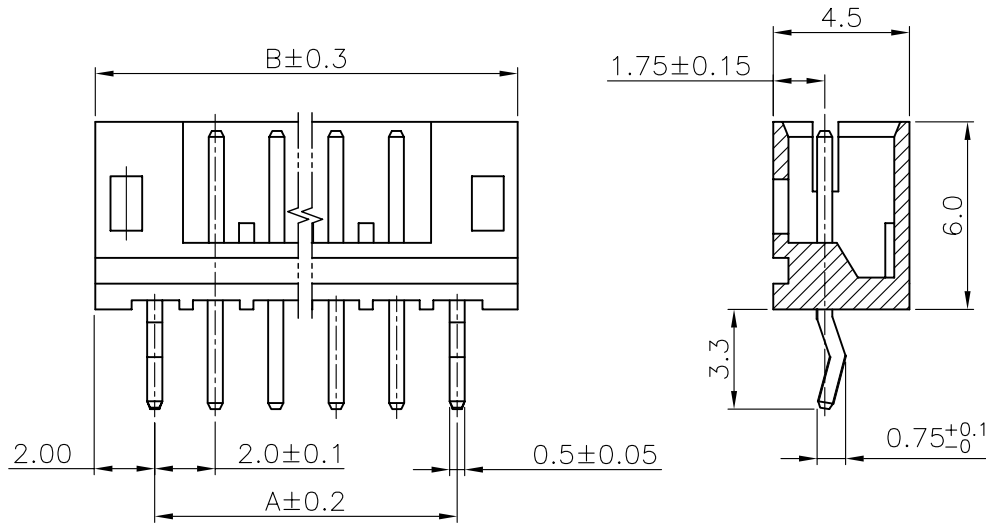
喬訊電子工業股份有限公司
CHYAO SHIUNN
ELECTRONIC INDUSTRIAL LTD.

PART NO JS-1125-XX
2.00mm Disconnectable crimp style Wafer

APPROVED BY	SCALE	UNIT	TOLERANCE		LTR	REVISION RECORD	DATE
林陳鏞	4:1	mm	.0	±0.3			
CHECKED BY	PROJ	VER NO.	.00	±0.2			
林勇生		F1	.000	±0.1			
DRAWN BY	DATE	SIZE	ANGLE				
邱森鴻	2004/07/21	A4	0°	±			
			.0°	±			



P.C.B. Hole Dimensions



■ SPECIFICATIONS

- Voltage Rating : 100V AC/DC
- Current Rating : 2A AC/DC
- Withstanding Voltage : 800V AC/minute
- Insulation Resistance : 1,000MΩ min
- Temperature Range : - 25°C to + 85°C
- Contact Resistance : 20mΩ max

■ WAFER

- Part No. : JS-1125-XX(K)
- Poles : 2-16
- Material : Contact : Brass, Tin Plated
- Base : Nylon 66 UL94V-0
- Q' ty : 1,000 pcs/bag

Poles	Part No.	Dimension(mm)		
		A	B	C
2	JS-1125-02(K)	2.00	6.00	5.00
3	JS-1125-03(K)	4.00	8.00	7.00
4	JS-1125-04(K)	6.00	10.00	9.00
5	JS-1125-05(K)	8.00	12.00	11.00
6	JS-1125-06(K)	10.00	14.00	13.00
7	JS-1125-07(K)	12.00	16.00	15.00
8	JS-1125-08(K)	14.00	18.00	17.00
9	JS-1125-09(K)	16.00	20.00	19.00
10	JS-1125-10(K)	18.00	22.00	21.00
11	JS-1125-11(K)	20.00	24.00	23.00
12	JS-1125-12(K)	22.00	26.00	25.00
13	JS-1125-13(K)	24.00	28.00	27.00
14	JS-1125-14(K)	26.00	30.00	29.00
15	JS-1125-15(K)	28.00	32.00	31.00
16	JS-1125-16(K)	30.00	34.00	33.00

2.00mm Disconnectable crimp style Wafer



喬訊電子工業股份有限公司

CHYAO SHIUNN
ELECTRONIC INDUSTRIAL LTD.

TOLERANCE

.0 ±0.3
.00 ±0.2
.000 ±0.1

APPROVED BY

林陳鑠

DATE

2003/06/03

SCALE

4:1

PART NO

CHECKED BY

林勇生

UNIT

mm



JS-1125-XX(K)

DRAWN BY

邱森鴻

VER. NO.

F

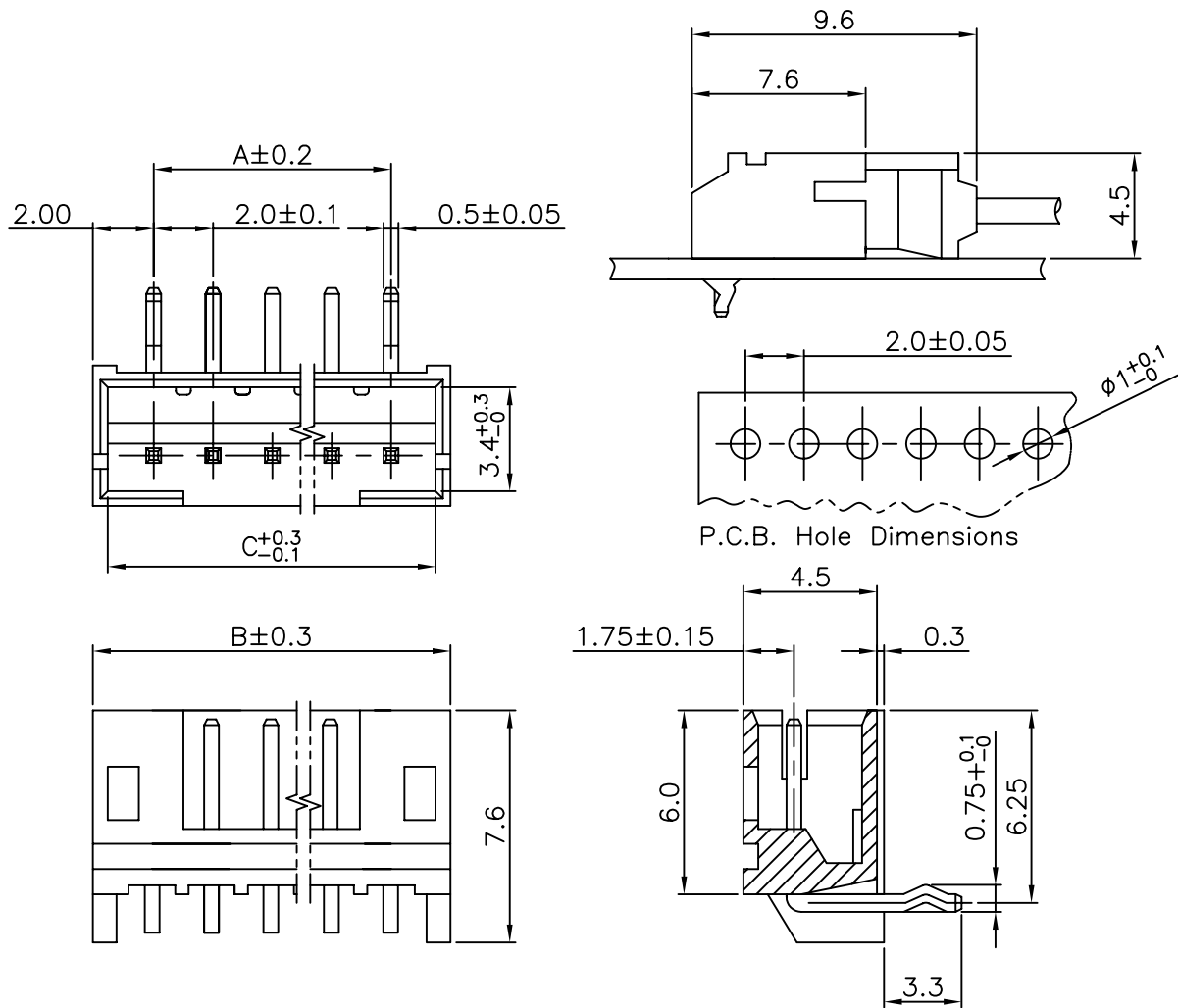
SIZE

A4

LTR

REVISION RECORD

DATE



■ SPECIFICATIONS

- Voltage Rating : 100V AC/DC
- Current Rating : 2A AC/DC
- Withstanding Voltage : 800V AC/minute
- Insulation Resistance : 1,000M Ω min
- Temperature Range : - 25°C to + 85°C
- Contact resistance : 20m Ω max

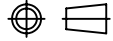
■ WAFER

- Part No. : JS-1125R-XX
- Poles : 2-16
- Material : Contact : Brass, Tin Plated
Base : Nylon 66 UL94V-0
- Q' ty : 1,000 pcs/Bag

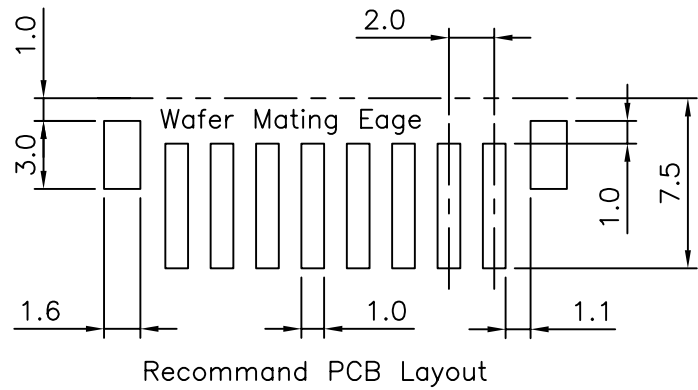
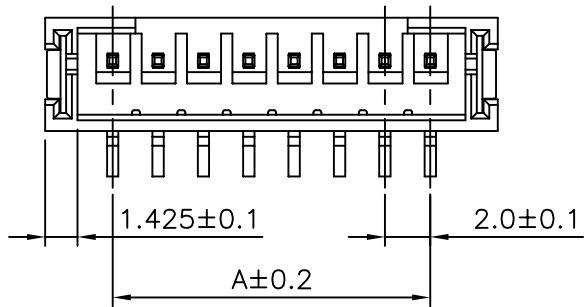
Poles	Part No.	Dimension(mm)		
		A	B	C
2	JS-1125R-02	2.00	6.00	5.00
3	JS-1125R-03	4.00	8.00	7.00
4	JS-1125R-04	6.00	10.00	9.00
5	JS-1125R-05	8.00	12.00	11.00
6	JS-1125R-06	10.00	14.00	13.00
7	JS-1125R-07	12.00	16.00	15.00
8	JS-1125R-08	14.00	18.00	17.00
9	JS-1125R-09	16.00	20.00	19.00
10	JS-1125R-10	18.00	22.00	21.00
11	JS-1125R-11	20.00	24.00	23.00
12	JS-1125R-12	22.00	26.00	25.00
13	JS-1125R-13	24.00	28.00	27.00
14	JS-1125R-14	26.00	30.00	29.00
15	JS-1125R-15	28.00	32.00	31.00
16	JS-1125R-16	30.00	34.00	33.00

 喬訊電子工業股份有限公司
CHYAO SHIUNN
ELECTRONIC INDUSTRIAL LTD.

PART NO JS-1125R-XX
2.00mm Disconnectable crimp style Wafer

APPROVED BY	SCALE	UNIT	TOLERANCE
林陳鏢	4:1	mm	.0 ±0.3
CHECKED BY	PROJ	VER NO.	.00 ±0.2
林勇生		E1	.000 ±0.1
DRAWN BY	DATE	SIZE	ALL ±
邱森鴻	2004/06/23	A4	ANGLE
			0° ±
			.0° ±

LTR	REVISION RECORD	DATE
ECR	200406-002	2004/06/23

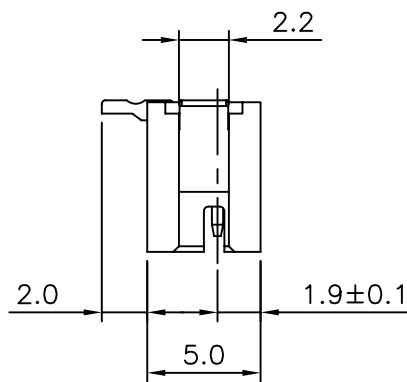
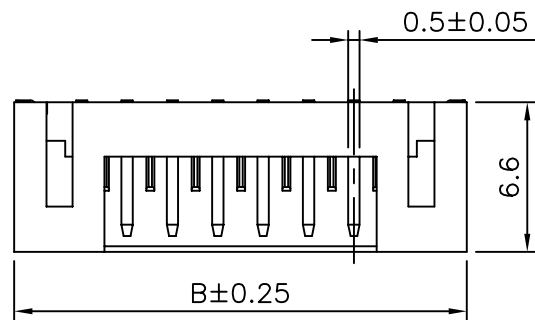


■ SPECIFICATIONS

- Voltage Rating : 100V AC/DC
- Current Rating : 2A AC/DC
- Withstanding Voltage : 800V AC/minute
- Insulation Resistance : 1,000MΩ min
- Temperature Range : - 25°C to + 85°C
- Contact Resistance : 20mΩ max

■ WAFER

- Part No. : JS-1261-XX (SMT Type)
- Poles : 2-16
- Material : Contact : Phos. Bronze, Tin Plated
Base : Nylon PA46 UL94V-0
- Q' ty : 1,000 pcs./Tape & Reel



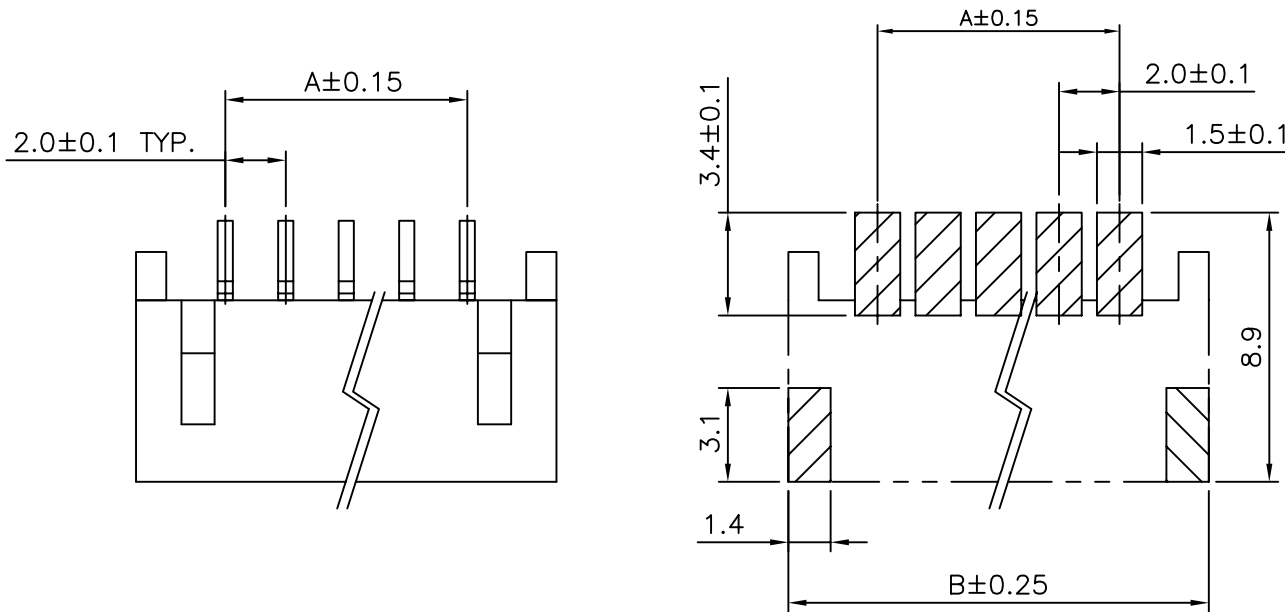
Poles	Part No.	Dimensions(mm)	
		A	B
2	JS-1261-02	2.00	7.95
3	JS-1261-03	4.00	9.95
4	JS-1261-04	6.00	11.95
5	JS-1261-05	8.00	13.95
6	JS-1261-06	10.00	15.95
7	JS-1261-07	12.00	17.95
8	JS-1261-08	14.00	19.95
9	JS-1261-09	16.00	21.95
10	JS-1261-10	18.00	23.95
11	JS-1261-11	20.00	25.95
12	JS-1261-12	22.00	27.95
13	JS-1261-13	24.00	29.95
14	JS-1261-14	26.00	31.95
15	JS-1261-15	28.00	33.95
16	JS-1261-16	30.00	35.95



喬訊電子工業股份有限公司
CHYAO SHIUNN
ELECTRONIC INDUSTRIAL LTD.

PART NO JS-1261-XX
2.00mm Crimp Style Connectors Wafer

APPROVED BY	SCALE	UNIT	TOLERANCE	LTR	REVISION RECORD	DATE
林陳鏞	3:1	mm	.0 ±0.3	ECR	200405-015	2004/05/31
CHECKED BY	PROJ	VER NO.	.00 ±0.2			
林勇生	⊕ □	A1	.000 ±0.1			
DRAWN BY	DATE	SIZE	ALL ±			
邱森鴻	2004/05/31	A4	ANGLE			
			0° ±			
			.0° ±			



Recommad PCB Layout

■ SPECIFICATIONS

- Voltage Rating : 100V AC/DC
- Current Rating : 2A AC/DC
- Withstanding Voltage : 800V AC/minute
- Insulation Resistance : 1,000M Ω min
- Temperature Range : - 25 $^{\circ}$ C to + 85 $^{\circ}$ C
- Contact Resistance : 20m Ω max

■ WAFER

- Part No. : JS-1261R-XX (SMT Type)
- Poles : 2-15
- Material : Contact : Phos. Brass, Tin Plated
- Base : Nylon PA46 UL94V-0
- Q'ty : 800 pcs./Tape & Reel

Poles	Part No.	Dimensions(mm)	
		A	B
2	JS-1261R- 2	2.00	8.00
3	JS-1261R- 3	4.00	10.00
4	JS-1261R- 4	6.00	12.00
5	JS-1261R- 5	8.00	14.00
6	JS-1261R- 6	10.00	16.00
7	JS-1261R- 7	12.00	18.00
8	JS-1261R- 8	14.00	20.00
9	JS-1261R- 9	16.00	22.00
10	JS-1261R-10	18.00	24.00
11	JS-1261R-11	20.00	26.00
12	JS-1261R-12	22.00	28.00
13	JS-1261R-13	24.00	30.00
14	JS-1261R-14	26.00	32.00
15	JS-1261R-15	28.00	34.00



喬訊電子工業股份有限公司
CHYAO SHIUNN
ELECTRONIC INDUSTRIAL LTD.

PART NO JS-1261R-XX

X.00mm Disconnectable crimp style connectors Wafer

APPROVED BY	SCALE	UNIT	TOLERANCE	LTR	REVISION RECORD	DATE
林陳鏞	4:1	mm	.0 ±0.3	ECR	200404-026	2004/04/30
CHECKED BY	PROJ	VER NO.	.00 ±0.2			
林勇生		G1	.000 ±0.1			
DRAWN BY	DATE	SIZE	ALL ±			
邱森鴻	2004/04/30	A4	ANGLE			
			0° ±			
			.0° ±			