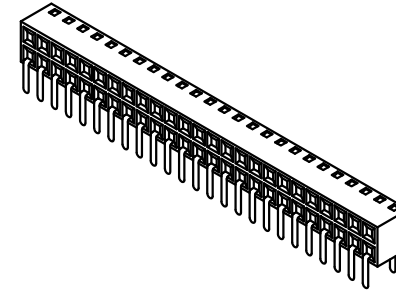
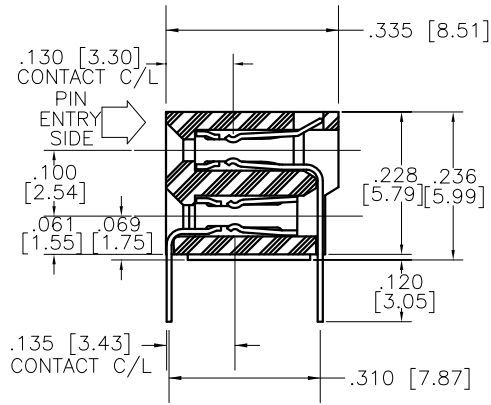
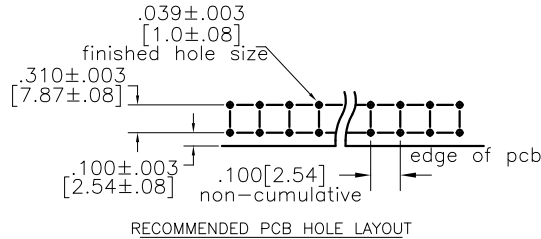
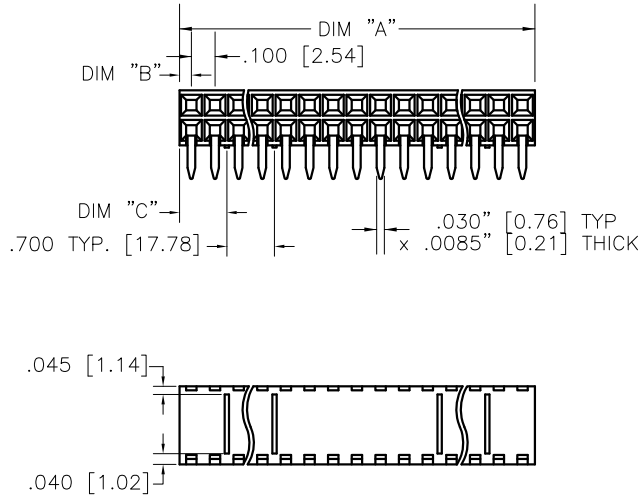


PRODUCT NUMBER
SEE TABLE



FEATURES:

- * 22 TO 50 CONTACTS — SIDE ENTRY
- * END STACKABLE (EXCEPT 2X11)
- * BIFURCATED CONTACT DESIGN (N/S ORIENTATION)
- * SELECTIVELY PLATED GOLD CONTACT
- * Ni UNDERPLATE SUITABLE FOR NO-CLEAN OPERATION
- * SnPb OR Sn PLATED CONTACT LEADS FOR SOLDERABILITY
- * INTENDED FOR USE ON .062/1.57 THICK PCB
- * INTENDED FOR USE WITH .025/0.64 SQUARE PINS

SPECIFICATIONS—MECHANICAL:

- * INSERTION FORCE — 150 G/CONTACT MAX
- * WITHDRAWAL FORCE: 20 G/CONTACT MIN
- * CONTACT RETENTION: 900 G/CONTACT MIN
- * CONTACT NORMAL FORCE: 120 G/CONTACT MIN
- * DURABILITY — 200 CYCLES
- * OPERATING TEMPERATURE: -55°C TO +85°C

SPECIFICATIONS—ELECTRICAL:

- * CURRENT RATING(CONTINUOUS): 1 AMP/CONTACT MAX
- * CONTACT RESISTANCE: 20 MILLIOHMS MAX
- * INSULATION RESISTANCE: 5000 MEGOHMS MIN
- * DIELECTRIC WITHSTAND VOLTAGE: 1000V RMS

mat'l. code		surface		tolerance		projection		product family	
SEE NOTE 1		ASME Y14.5		ASME Y14.5		INCH/MM		NORCON	
ltr	ec'n no	dr	date	tolerances unless otherwise specified				title	
B	V05-0110	HTB	2005-06-16	angles	0°±0.5°	INCH/MM		PCB MOUNTED RECEPTACLES	
C	V06-0155	HTB	2006-02-14			scale N.T.S.		CBR34 DR .100" [2.54] GRID	
D	V06-0663	JRV	2006-07-12					dwg no	
E	V09-0115	HTB	2009-03-23	dr	T. BREWBAKER	2005-06-16	sheet 1 of 2		size
				enfr	T. BREWBAKER	2005-06-16	56798		A4
				chr	T. BREWBAKER	2005-06-16	FCI		
				appd	T. BREWBAKER	2005-06-16	type		CUSTOMER Drawing
sheet	revision	E	E						
index	sheet	1	2						

PRODUCT NUMBER	ENG. CODE	DESCRIPTION	END STACKABLE	DIM "A"	NOTES
A0310686	CBR34B050S	50 POS.(2x25)	YES	2.498/63.40	— OBSOLETE
A0352694	CBR34B100E	100 POS.(2x50)	YES	4.998/126.95	— OBSOLETE
A0379152	CBR34B022S	22 POS.(2x11)	NO	1.120/28.40	—
A0379152LF		22 POS.(2x11)	NO	1.120/28.40	3 & 4 — OBSOLETE

NOTES:

- ① HOUSING MATERIAL:
 FLAME RETARDANT PER UL 94V-0, COLOR: BLACK.
 A0379152 (2x11) MADE FROM GLASS FILLED PPS.
 ALL OTHERS MADE FROM GLASS FILLED LCP.
 TERMINAL MATERIAL: CA510 ALLOY
 CONTACT FINISH: 50u" / 1.27u Au
 CONTACT UNDERPLATE: 100u" / 2.54u Ni
 SOLDER TAIL FINISH: 100u" / 2.54u SnPb
 LF SOLDER TAIL FINISH: 100u" / 2.54u Sn
 OVERALL UNDERPLATE: 20u" / 0.51u Ni
2. PACKAGED IN ANTI-STATIC TRAYS.
- ③ PART NUMBERS WITH AN LF SUFFIX MEET EUROPEAN UNION DIRECTIVES AND OTHER COUNTRY REGULATIONS AS DESCRIBED IN GS-22-008.
- ④ THE HOUSING WILL WITHSTAND EXPOSURE TO 260° C PEAK TEMPERATURE FOR 10 SECONDS IN A WAVE SOLDER APPLICATION WITH A .062" [1.57mm] THICK CIRCUIT BOARD.

mat'l. code		surface		tolerance		projection		product family	
SEE NOTE 1		ASME Y14.5		ASME Y14.5				NORCON	
ltr	ecrn no	dr	date	tolerances unless otherwise specified				title	
E				angles	XXX*.005/XX*.13	INCH/MM		PCB MOUNTED RECEPTACLES	
				0°±0.5°		scale N.T.S.		CBR34 DR .100" [2.54] GRID	
		dr	T. BREWBAKER	2005-06-16			dwg no		sheet 2 of 2
		engr	T. BREWBAKER	2005-06-16			56798		A4
		chr	T. BREWBAKER	2005-06-16			Type		CUSTOMER Drawing
		appd	T. BREWBAKER	2005-06-16					
sheet index	revision sheet								