

FEATURES AND OPTIONS

- 10, 14, 16, 20, 26, 34, 40, 50 and 60 positions
- Available with metal spring latches for use with strain relief connectors
- Optional latches easily attach by snapping into connector
- Contact tail options include wire wrap, .114" or .177" solder tails
- Plating options of 30μ" gold, gold flash or full tin
- Mates with Assmann part number series: AWP

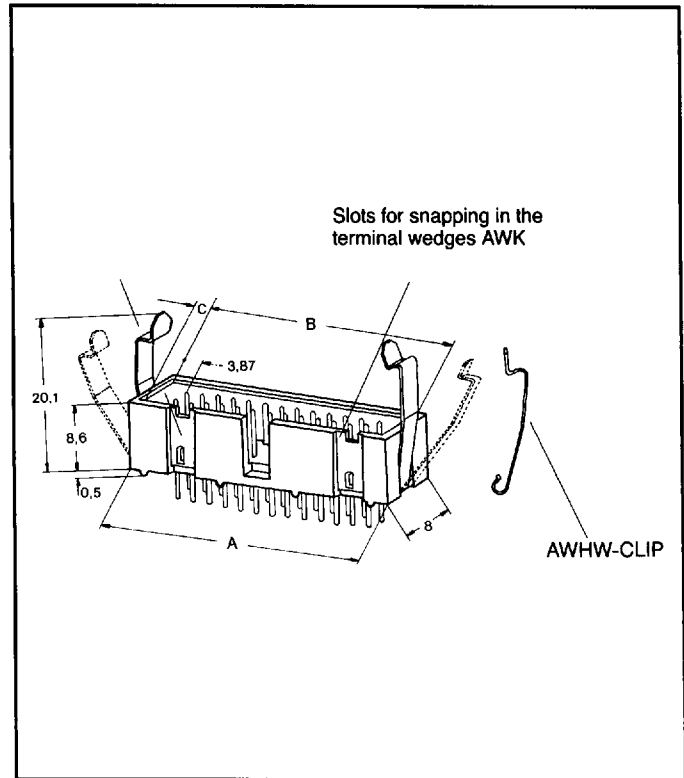
SPECIFICATIONS

MATERIALS

Contact: Phosphor Bronze
Insulator: Polyester GV, VO, UL 94 - color grey

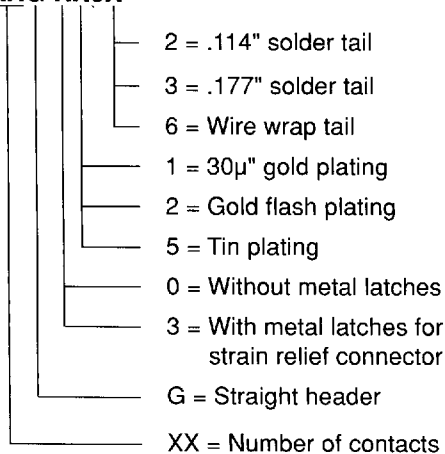
ELECTRICAL

Current rating: 1 amp.
Test voltage: 1000 V_{eff}
Operating temperature range: -65°C to +150°C
Insulation resistance: (10 x 9 ohms)



HOW TO ORDER

AWHWXXG-XX0X



AWHW CLIP = Part number for metal snap on strain relief clips

AWK = Part number for terminal wedge

DIMENSIONS

# of pins	A	B	C
10 pin	19.5	17.9	6.25
	0.768	0.705	0.246
14 pin	24.6	23.0	6.25
	0.969	0.906	0.246
16 pin	27.2	25.5	6.25
	1.071	1.004	0.246
20 pin	32.3	30.6	6.25
	1.272	1.205	0.246
26 pin	39.9	38.2	6.25
	1.571	1.504	0.246
34 pin	50.1	48.4	6.25
	1.972	1.906	0.246
40 pin	57.8	56.0	6.25
	2.276	2.204	0.246
50 pin	70.5	68.7	6.25
	2.776	2.705	0.246
60 pin	83.3	81.4	6.25
	3.280	3.205	0.246