

P54/74FCT3240A/C - P54/74FCT3241A/C - P54/74FCT3244A/C 3.3V SSOP (QSOP) NOTEBOOK LOGIC 3.3 VOLT OCTAL BUFFERS/LINE DRIVERS WITH 3-STATE OUTPUTS

ADVANCE INFORMATION



FEATURES

- Function and Drive Compatible with the Fastest TTL Logic
- Inputs and Outputs Interface with TTL Logic Levels
- 3.3V ± 10% Power Supply and CMOS for Lowest Power Dissipation
- FCT3-A speed at 4.8ns max. (Com'I)
- FCT3-C speed at 4.1ns max. (Com'I)
- Edge-rate Control Circuitry for Significantly Improved Noise Characteristics
- ESD protection exceeds 2000V
- 64 mA Sink Current (Com'I), 48 mA (MII)
- 15mA Source Current (Com'I), 12 mA (MII)
- QSOP (SSOP150) package for minimum board space requirements
- Manufactured in 0.4 micron PACE Technology™



DESCRIPTION

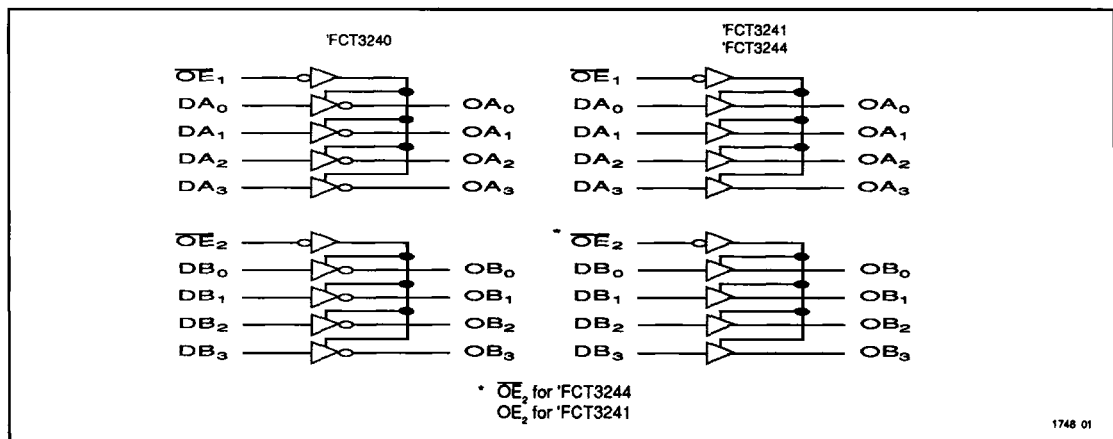
The 'FCT3240, 'FCT3241 and 'FCT3244 are octal buffers and line drivers designed to be employed as memory address drivers, clock drivers and bus-oriented transmitters/receivers. The devices provide speed and drive capabilities equivalent to their fastest bipolar logic counterparts while significantly reducing power dissipation. The input and output voltage levels allow direct interface with TTL devices without external components.

The 'FCT3240, 'FCT3241 and 'FCT3244 are manufactured with PACE III Technology which is Performance Advanced CMOS Engineered with two-level metal and epitaxial substrates to use 0.4 micron effective channel lengths giving 250 picosecond loaded* internal gate delays. The nominal supply voltage is reduced from the conventional 5.0V to 3.3V, thus reducing output swings dramatically.

*For a fan-in/fan-out of 4 at 85°C junction temperature and 3.3V supply.



LOGIC DIAGRAMS



10

PIN CONFIGURATIONS

