

.125" [3.18mm] CONTACT CENTERS, PRESSFIT

SPECIFICATIONS

INSULATOR MATERIAL

Glass filled polyester, type PBT, 94V-0
UL Recognized

CONTACT MATERIAL

Phosphor Bronze Alloy, CA510

CONTACT PLATING

Gold over .000050" Nickel, and Tin-Lead
(See Part Number Coding for thicknesses)

COMPLIANT SECTION INSERTION FORCE
40 lbs maximum per contact

COMPLIANT SECTION WITHDRAWAL FORCE
10 lbs minimum per contact

HOLE SIZE REQUIREMENTS

Drilled Hole Diameter: .0453 ±.0010"
Plating: .001" to .003" Copper
and .0003" Minimum Tin

FINISHED HOLE DIAMETER

.040 ±.003"

RECOMMENDED MOTHERBOARD THICKNESS

.093" to .125"

FEATURES

- * Flat Plate Installation eliminates the need for secondary operation tooling which can damage the connector when installed into motherboard
- * Extra large chamfered entry
- * Conforms to Bellcore specification TR-TSY-00078
- * Extended card scoops available
- * Selective loading of contacts available
- * Available with many plating options
- * Many other custom options available including:
 - One end open
 - Both ends open to accommodate end to end stackability
 - Shorting contacts
 - Molded-in polarizing keys
 - Make-Before-Break style contacts

PART NUMBER*	NUMBER OF CONTACTS	INCHES			MILLIMETERS		
		A	B	C	A	B	C
EZA06 ___	6/12	1.011	0.875	0.625	25.68	22.23	15.88
EZA10 ___	10/20	1.511	1.375	1.125	38.38	34.93	28.58
EZA12 ___	12/24	1.761	1.625	1.375	44.73	41.28	34.93
EZA16 ___	16/32	2.261	2.125	1.875	57.43	53.98	47.63
EZA18 ___	18/36	2.511	2.375	2.125	63.78	60.33	53.98
EZA20 ___	20/40	2.761	2.625	2.375	70.13	66.68	60.33
EZA22 ___	22/44	3.011	2.875	2.625	76.48	73.03	66.68
EZA25 ___	25/50	3.386	3.250	3.000	86.00	82.55	76.20
EZA28 ___	28/56	3.761	3.625	3.375	95.53	92.08	85.73
EZA30 ___	30/60	4.011	3.875	3.625	101.88	98.43	92.08
EZA36 ___	36/72	4.761	4.625	4.375	120.93	117.48	111.13
EZA38 ___	38/76	5.011	4.875	4.625	127.28	123.83	117.48
EZA40 ___	40/80	5.261	5.125	4.875	133.63	130.18	123.83
EZA43 ___	43/86	5.636	5.500	5.250	143.15	139.70	133.35
EZA50 ___	50/100	6.511	6.375	6.125	165.38	161.93	155.58
EZA51 ___	51/102	6.636	6.500	6.250	168.55	165.10	158.75
EZA56 ___	56/112	7.261	7.125	6.875	184.43	180.98	174.63
EZA60 ___	60/120	7.761	7.625	7.375	197.13	193.68	187.33

* For complete part number add termination type and mounting style from Part Number Coding (e.g. EZA43DJDN).

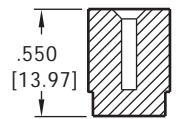
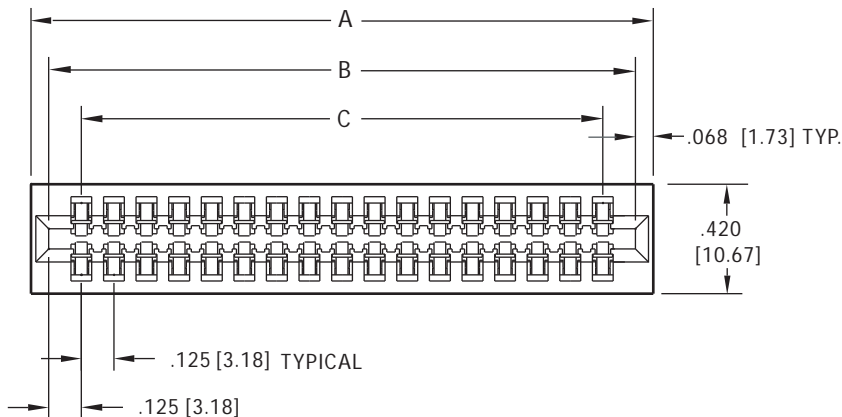
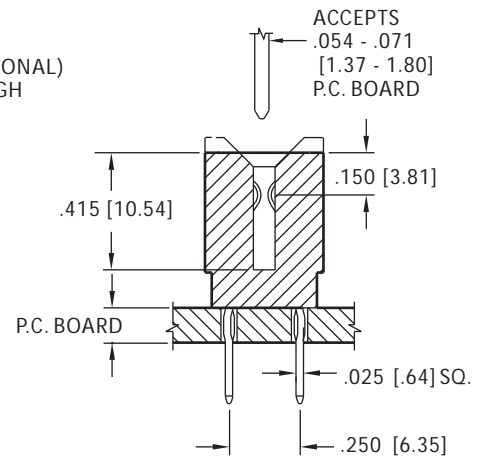
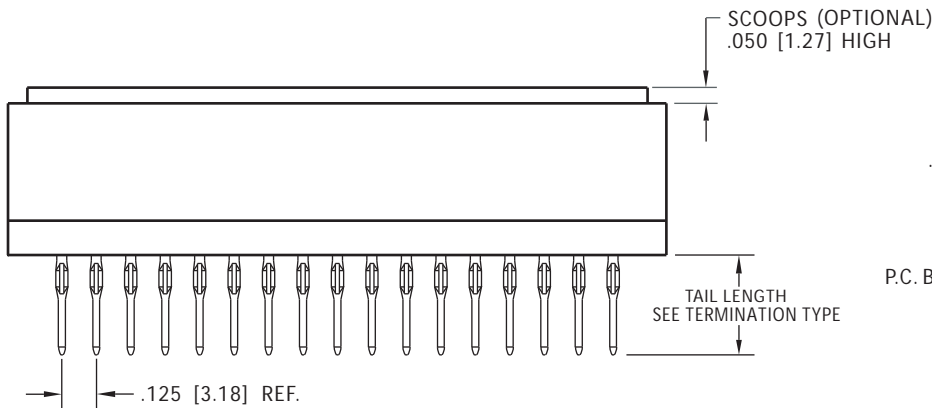
.125" [3.18mm] CONTACT CENTERS, PRESSFIT

PART NUMBER CODING

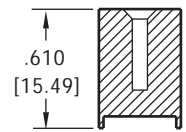
SERIES	E	Z	A	43	D	JD	N	-T#	
E = PBT/Phosphor Bronze									
CONTACT FINISH									MODIFICATIONS (Consult Factory) Omit For Standard Special Number assigned for specials such as:
Contact Surface		Termination	Underplate						- Scoops (T7)
Z = .000010" Gold		.000100" Tin	.000050" Nickel						- Other Card Slot Depths
X = .000030" Gold		.000100" Tin	.000050" Nickel						- Slim Line Body (.315" [8.00mm])
CONTACT CENTERS									MOUNTING STYLE
A = .125" [3.18mm]									N = No Mounting
NUMBER OF CONTACT POSITIONS									B = Open Card Slot
6 thru 60									TERMINATION TYPE
READOUT									Standoffs
D = Dual									Row Spacing
H = Half Loaded									Tail Length
						JD=	No	.250" [6.35mm]	.190" [4.83mm]
						JE=	No	.250" [6.35mm]	.625" [15.88mm]
						JS=	Yes	.250" [6.35mm]	.190" [4.83mm]
						JT=	Yes	.250" [6.35mm]	.565" [14.35mm]

DIMENSIONS

Dimensions in [] are in millimeters, all others in inches.



WITHOUT STANDOFFS



WITH STANDOFFS