



Data Display Products®

T-1³/₄ PCB MOUNT LEDs

Specialty Operation, Single

- Low Power, Bi-Color, Blinking, Integrated Resistor
- Red, Amber, Green
- For Detailed LED Data, See Discrete Section, MODEL 200

Model		LED(Model 200)				
		Color	λpk (nm)	Iv[1] (mcd)	Description	
PCL200	Right Angle Mount	-RLP	RED	635	2.0	Low Power
PCL200C	Right Angle, Center Pin	-ALP	AMB	583	1.8	Low Power
PCH200	Right Angle Mount	-GLP	GRN	565	1.8	Low Power
PCV200	Vertical Mount	-LRG	R/G	660/565	70/32	Bi-Color, Green Cathode
PCLR200	Right Angle Mount	-RAG[2]	R/A/G	630/565	6/6	Tri-Color, Common Cathode
PCL201-200	Right Angle Mount	-ERB	RED	660	22	Blinking
PCA200	Right Angle Mount	-RB	RED	630	7	Blinking
PCL245[3]	45° Angle Mount	-AB	AMB	585	6	Blinking
		-GB	GRN	567	8	Blinking
		-BR5V	RED	635	8	Integrated Resistor for 5VDC
		-BA5V	AMB	583	8	Integrated Resistor for 5VDC
		-BG5V	GRN	565	8	Integrated Resistor for 5VDC
		-BR12V	RED	635	8	Integrated Resistor for 12VDC
		-BA12V	AMB	583	8	Integrated Resistor for 12VDC
		-BG12V	GRN	565	8	Integrated Resistor for 12VDC

[1] Iv = typical luminous intensity @ If = 20mA(Ta = 25°C). For Low Power LEDs, @ If = 2mA. For Integrated Resistor LEDs, @ Vf = 5VDC, or @ Vf = 12VDC.

[2] Available with model PCH200 only.

[3] Not available with Integrated Resistors 5VDC & 12VDC.

To Order: Select one **BOLD** component from each **SHADED** column in the table except as noted.

Examples: **PCL200-BR12V** (Model PCL200, Diffused RED LED, Integrated Resistor 12VDC)
PCH200-LRG (Model PCH200, Bi-Color LED)

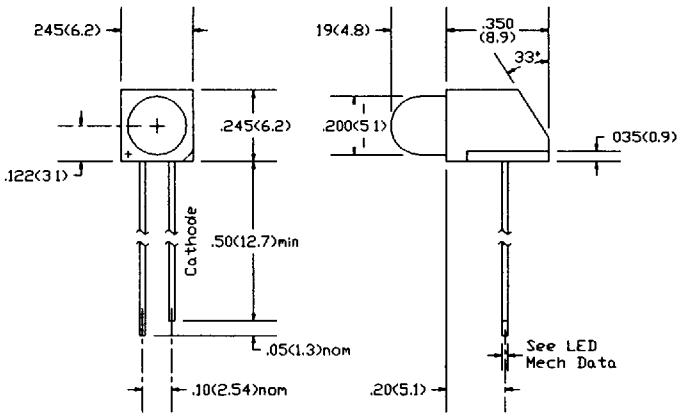
All dimensions are in inches(mm)
 Tolerances: .xx"(x) ±.025"(.63) / .xxx"(xx) ±.010"(.25)
 Specifications are subject to change without notice.



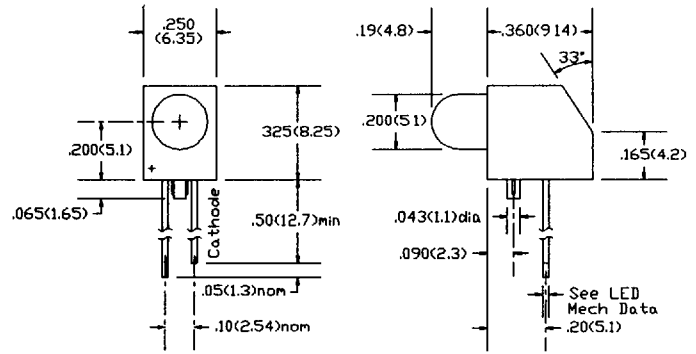
Data Display Products®

T-1^{3/4} PCB MOUNT LEDs

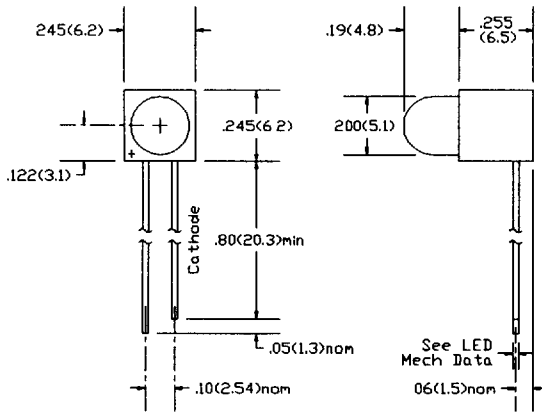
Specialty Operation, Single



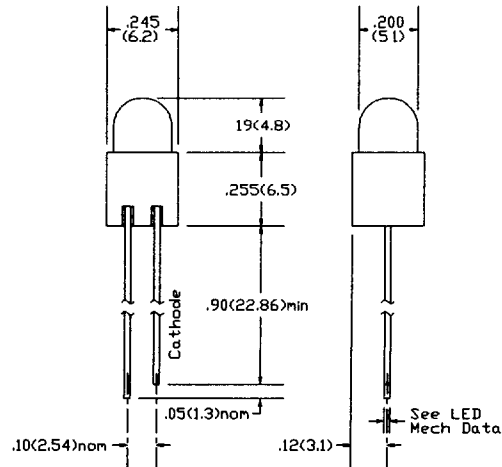
PCL200



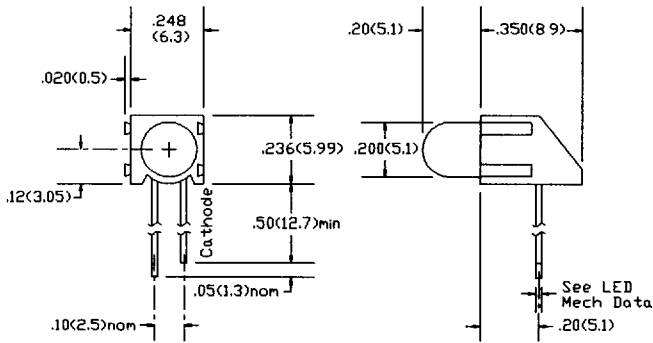
PCL200C



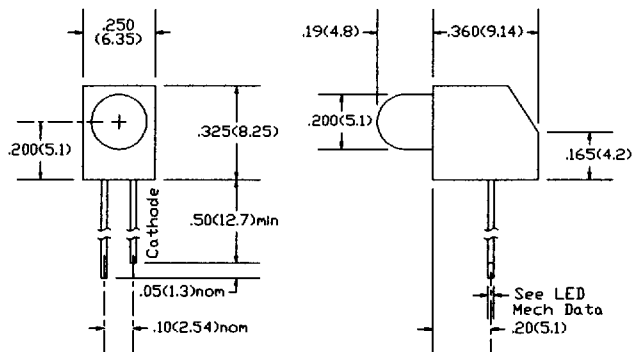
PCH200



PCV200



PCLR200



PCL201-200

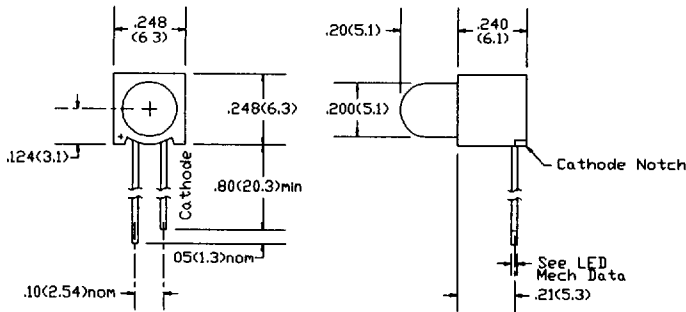
All dimensions are in inches(mm)
 Tolerances: **xx"(x) ± .025"(.63) / xxx"(xx) ± .010"(.25)**
 Specifications are subject to change without notice.



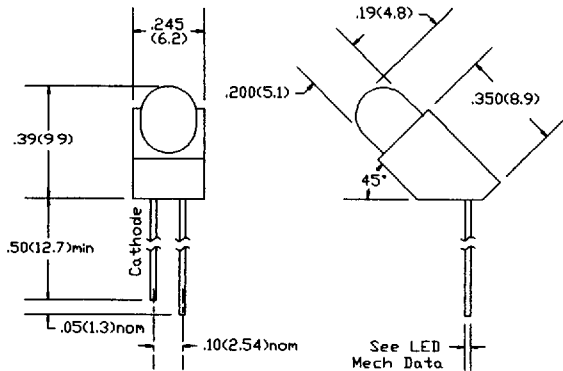
Data Display Products®

T-1³/₄ PCB MOUNT LEDs

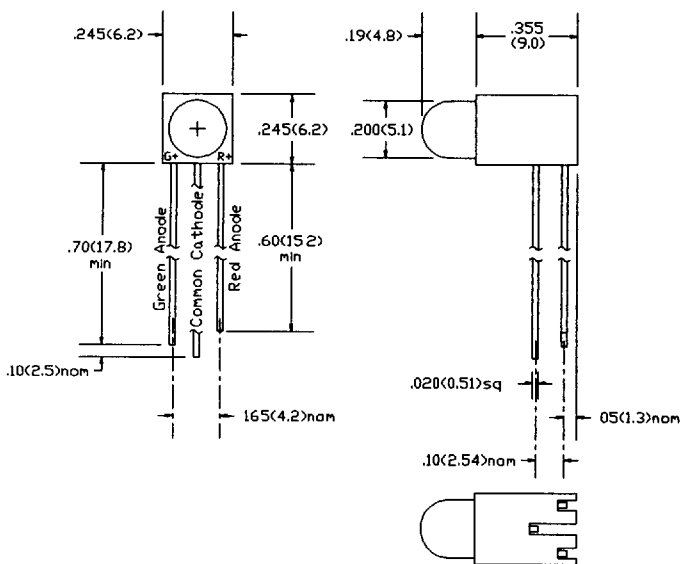
Specialty Operation, Single



PCA200



PCL245



PCH200-RAG

All dimensions are in inches(mm)
 Tolerances: xx"(x) ±.025"(.63) / xxx"(xxx) ±.010"(.25)
 Specifications are subject to change without notice.