

2mm PIN STRIP HEADERS (Right Angle)

FEATURES

- Excellent for high density applications
- Low profile minimizes "height off board"
- IR, vapor phase and wave solder compatible
- Stabilizing fins hold part level on board
- Mates with Crane's ATM sockets; JNM jumpers

STANDARD PART DIMENSIONS

MATING

Dual Row

P	POST 37	3,7mm/0.146"
	POST 40	4,0mm/0.157"
	POST ??	See Mating Post Data (next page)

INSULATOR BODY

Dual Row

W	WIDTH	4,0mm/0.157"
H	HEIGHT	4,2mm/0.165"

PC TAIL

Dual Row

L	LENGTH	3,0mm/0.118"
For other lengths, see Selected Options (next page)		

POST CENTERLINE DIMENSIONS

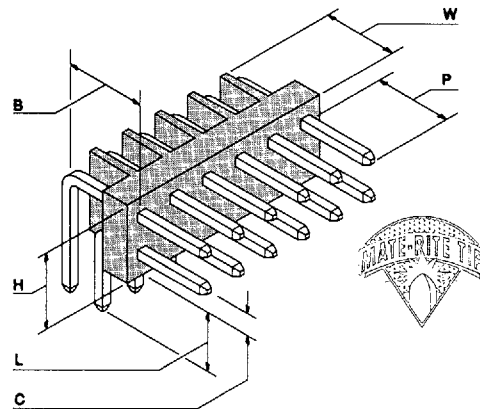
Dual Row

C	Height above PC Bd.	1,2mm/0.047"
B	Post Centerline to Insulator Body	3,75mm/0.148"

MATERIALS

INSULATOR BODY	High Temp. Thermoplastic (UL94V-0)
POST	Phosphor Bronze

DUAL ROW (4 to 60 positions)



COMMON DECIMAL EQUIVALENTS

Decimal (inch)	Metric (mm)	Decimal (inch)	Metric (mm)
.001	0,03	.150	3,81
.005	0,13	.175	4,45
.010	0,25	.200	5,08
.015	0,38	.250	6,35
.020	0,51	.300	7,62
.025	0,64	.400	10,16
.030	0,76	.500	12,70
.050	1,27	.600	15,24
.075	1,91	.625	15,88
.079	2,00	.750	19,05
.100	2,54	.875	22,23
.120	3,05	.900	22,86
.125	3,18	1.000	25,40

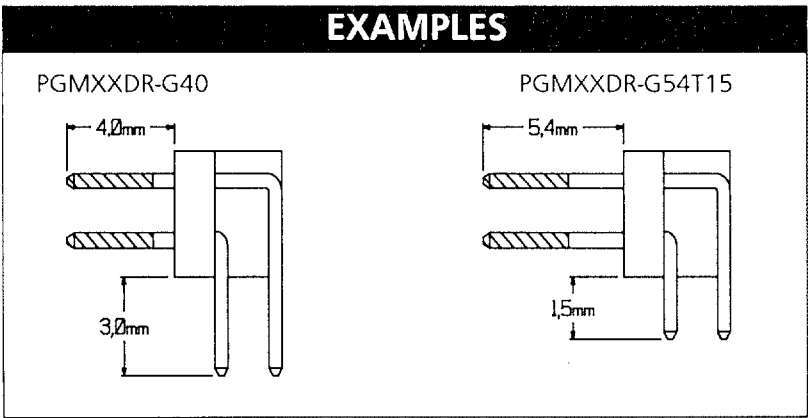
Specifications and Performance Data: Page 104



4700 Smith Road • Cincinnati, Ohio 45212 • (513) 631-4700 • Fax # (513) 631-5700
1-800-676-7644

2,0mm (0.079 in.) Centers
0,50mm (0.020 in.) Sq. Mating Posts

HOW TO ORDER CRANE'S PGM SERIES		STANDARD PART NUMBER				OPT.
PRODUCT SERIES	PGM					
TOTAL NUMBER OF POSITIONS	DUAL	04 - 60				
NUMBER OF ROWS	DUAL	D				
TYPE OF HEADER	RIGHT ANGLE	R				
PLATING (See Page 106)	CHOOSE G, T, or H, L, F					
Due to the number of options, not all platings are stocked for all pin lengths. Contact factory for availability.						
MATING POST DATA	MATING POST LENGTH					
	3,7mm					37
	4,0mm					40
	Post Length Needed (in tenths of mm's)					??
SELECTED TAIL OPTIONS (if other than 3,0mm std.)	TAIL LENGTH					
	1,7mm					T17
	5,0mm					T50
	Tail Length Needed (in tenths of mm's)					T??



Sample Hotline: 1-800-676-7644



D 17F 2494422 0000429 284

Performance Specifications: PIN STRIP HEADERS

PRODUCT SERIES	PEG	TPEG	MPEG	FMPEG	DPEG	GPEG	GMPEG	LPEG	PLS PLT	MPLS MPLT	PGM	MPGM	DPGM	LPGM	PFF PFH	MPFF MPFH	PLF PLH	MPLF MPLH
PAGES	8-9 22-23 24-25	10-11	12-13 28-29	14-15	16-17	18-19 30-31	20-21	26-27	32-33	34-35	56-57 62-63 66-67	58-59 64-65	60-61	68-69	76-77 84-85 86-87	78-79 88-89	80-81	82-83 90-91
INSULATOR MATERIAL	Glass Filled (GF) Polyester																	
TEMPERATURE RANGE	-55C to +125C																	
FLAMMABILITY RATING	High Temp Thermoplastic																	
CONTACT MATERIAL	Phosphor Bronze																	
PLATING OPTIONS	G,T, or M,H,L,F																	
INSULATION RESISTANCE	50,000 Megohms																	
DWV (DIELECTRIC WITHSTANDING)	1500 VAC RMS																	
CURRENT RATING	3 AMPS																	

All Crane Connector Products Are Rated At UL 94V-0

Recommended Plated Thru Hole Sizes - PIN STRIP HEADERS

PIN SIZE	DIA / DIAG	HOLE SIZE	USED ON
0.025" Square	0.034"	0.040" +/- 0.003"	PEG / MPEEG / GPEG / TPEG / LPEG / FMPEG
0.025" Coined	0.030"	0.038" +/- 0.003"	PEG / MPEEG / GPEG / TPEG / LPEG / FMPEG
0.025" Coined	0.030"	0.032" +/- 0.002"	DPEG
0.025" Fine Line	0.018"	0.023" +/- 0.003"	PEG / MPEEG / GPEG / TPEG / LPEG / FMPEG
0.020" Square	0.025"	0.032" +/- 0.003"	PGM / MPGM / DPGM / LPGM
0.020" Rounded	0.020"	0.025" +/- 0.003"	PFF / PFH / MPFF / MPFH
0.018" Square	0.023"	0.030" +/- 0.003"	PFF / PFH / MPFF / MPFH
0.018" Round	0.018"	0.023" +/- 0.003"	PFF / PFH / MPFF / MPFH

Recommended Plated Thru Hole Sizes - BOARD MOUNT SOCKETS

PIN SIZE	HOLE SIZE	USED ON
0.030" x 0.016"	0.040" +/- 0.003"	ATP / ATL / MATP / MATL / ATS / ATT / GATT
0.028" x 0.009"	0.035" +/- 0.003"	ABS / ABH / BBP
0.031" x 0.011"	0.040" +/- 0.003"	ABT/BBP
0.020" x 0.008"	0.028" +/- 0.003"	ATM
0.025" x 0.025" SQ	0.040" +/- 0.003"	ATP / ATL / MATP / MATL

PERFORMANCE / TEST SPECIFICATIONS

QUALITY		CONTACTS	
Quality Program Requirements	ISO 9001	Material Specifications	
Military Specifications - Connectors	MIL-C-55302D	Phosphor Bronze	QQ-B-750/ASTM B159
Sampling Procedures and Tables for Inspection	MIL-STD-105	Copper and Copper Alloy 770	ASTM B122
Quality Assurance Terms and Conditions	MIL-STD-109	General Specifications	
Calibration Systems Requirements	MIL-STD-45662A	General Specifications for Contacts	MIL-C-39029D
Inspection System Requirements	MIL-I-45208A	POSTS	
INSULATOR		Wire, Phosphor Bronze	QQ-B-750/ASTM B159
Plastic Material Specification		PLATING	
Molding Plastics, Polyester, Thermoplastic	MIL-M-24519	Outer Plating Specifications	
Tests For Flammability	UL94V-O	Gold - Type II, Grade C	MIL-G-45204
UL Temperature Index	UL746B	Tin/Lead	MIL-P-81728A
Limiting Oxygen Index	ASTM D2863	Under Plating Specifications	
Plastic Material Applied Tests		Nickel	QQ-N-290
Dielectric Strength, Short Term	ASTM D149	Copper	MIL-C-14550
Dielectric, Constant	ASTM D150	Palladium Nickel	MIL-P-45209
Izod Impact Strength	ASTM D256	Plating Applied Tests	
DC Resistance (Volume Resistivity)	ASTM D257	Coating Thickness (X-Ray Fluorescence)	ASTM-A-754-79
Arc Resistance	ASTM D495	ASSEMBLY	
Water Absorption	ASTM D570	Testing Specifications	
Test for Tensile Strength	ASTM D638	Test Methods for Electrical Connectors	MIL-STD-1344A
Heat Deflection Temperature	ASTM D648	Test Methods for Electrical and Electronic Components	MIL-STD-202
Compressive Strength	ASTM D695	Connections, Electrical, Solderless, Wrapped	MIL-STD-1130B
Coefficient of Linear Thermal Expansion	ASTM D696	Environmental Test Methods	MIL-STD-810
Shear Strength of Plastics	ASTM D732	Packaging Specifications	
Rockwell Hardness R-scale	ASTM D785	Connector, Preparations For Delivery Of	MIL-C-55330
Flexural Strength of Plastics	ASTM D790	Marking of Electronic Parts	MIL-STD-1285B
Specific Gravity and Density of Plastics	ASTM D792	Marking for Shipment and Storage	MIL-STD-129
Mold Shrinkage Flow	ASTM D995	Identification Marking of US Military Property	MIL-STD-130
Outgassing Test	ASTM E-595-84	Bar Coding Symbology	MIL-STD-11898

Crane uses the above test methods in full or in part to determine compliance of its parts and materials to internal and customer supplied specifications.

PLATING SPECIFICATIONS	CONTACT AREA Inches (Millimeters)	PC TAIL Inches (Millimeters)	UNDERPLATE Inches (Millimeters)
G Selective	15μ*(0,00038) gold	100μ*(0,00254) tin/lead - min.	50μ*(0,00127) nickel - min.
T Tin/Lead	100μ*(0,00254) tin/lead	100μ*(0,00254) tin/lead - min.	50μ*(0,00127) nickel - min.
M Selective	50μ*(0,00127) gold	100μ*(0,00254) tin/lead - min.	50μ*(0,00127) nickel - min.
H Selective	30μ*(0,00076) gold	100μ*(0,00254) tin/lead - min.	50μ*(0,00127) nickel - min.
L Selective	10μ*(0,00025) gold	100μ*(0,00254) tin/lead - min.	50μ*(0,00127) nickel - min.
F Selective	3μ*(0,00008) gold	100μ*(0,00254) tin/lead - min.	50μ*(0,00127) nickel - min.

The following names and symbols used in this catalog are trademarks of Crane Electronics, Inc.

Crane Electronics®
Crane Connectors™
Mate-Rite Tip™



STANDARD TAIL OPTIONS ON .100" PIN STRIP HEADERS			
R	K	F	Q
COINED	KINKED	FINE LINE	SQUARE
The standard "R" option provides a coined tail improving solder action while making insertion easier.	The "K" option provides a kinked tail, reducing unwanted movement on the PC Board.	The "F" option combines an 0.018" rounded tail with an 0.025" square post. The fine line feature allows more traces between holes.	The "Q" option provides a 0.025" square tail for use in wire wrap applications.

STANDARDS	
<p>UL File No. E120111 (N)</p> <p>Recognized to U.S. and Canadian requirements under the Component Recognition Program of Underwriters Laboratories Inc.</p>	<p>ISO 9001</p> <p>Crane Connectors File No. A-3620</p> <p>Registered by UL to ISO9001 under UL's accreditation by Raad voor de Certificatie (RvC), the Dutch Council for Certification.</p>