

RIGHT ANGLE, P.C.B. FILTERED D-SUB ORDERING CODE

PDF - 15

S

-

9

-

J

NUMBER OF PINS	=09
	=15
	=25
	=37

GENDER	MALE	=S
	FEMALE	=R

FOOT PRINT LENGTH	7.2mm	= BLANK
	9.4mm	=9
	13.84mm	=13

MATING FACE	4-40 THREADED RIVET	= BLANK
	JACK SCREW 4-40 THREAD	=J
	RIVETED HEX STANDOFF	=K
	4-40 THREADED RIVET & JACK SCREW (UNASSEMBLED)	=P
	4-40 THREADED RIVET & JACK SCREW	=R

P.C.B. FACE	BOARD LOCK	= BLANK
	HOLE	=H
	THREADED HOLE	=T
	NO GROUNDING STRAP	=Z

GOLD PLATING (XX IS GOLD IN MICRO INCHES)	=GXX
GOLD FLASH (STANDARD)	= BLANK

6

5

4

3

2

1

MATERIAL AND FINISH

Insulator: PBT & glass fiber reinforced, UL-94V-0 rated.

Shell: Steel, Nickel plated.

Contacts: Brass, Gold plated over Nickel.

ELECTRICAL SPECIFICATIONS:

Rated current: 5A

Insulation resistance: 1000 Mohm min. at 500 VDC

Dielectric withstanding voltage: 1000 VAC for one minute

Contact resistance: 15 mohm max

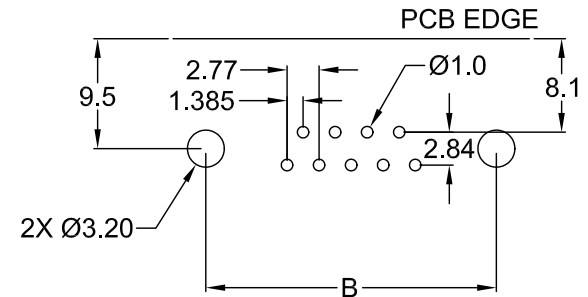
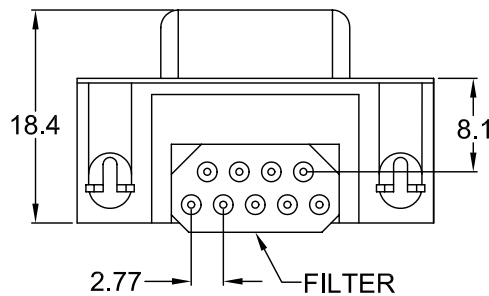
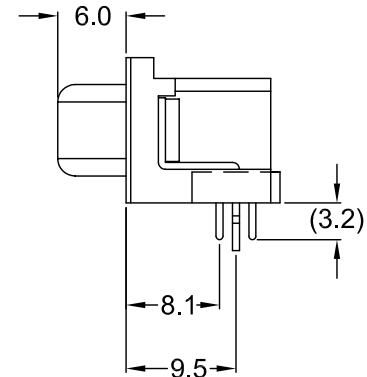
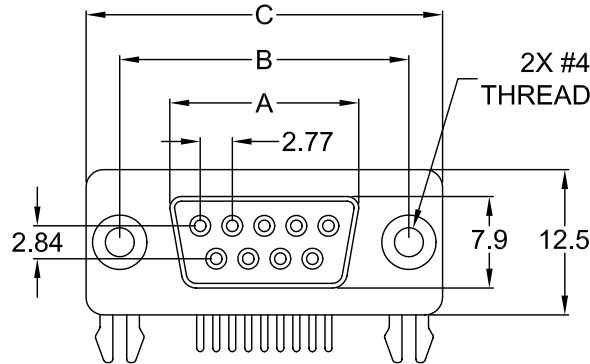
ENVIRONMENTAL:

Operating temperature: -55°C TO +105°C

NOTES:

Replace the first XX in P/N with number of positions.

POSITION	A	B	C
09	16.3	25.0	30.8
15	24.6	33.3	39.2
25	38.3	47.1	53.1
37	54.8	63.5	69.4



-XXX: SEE ORDERING CODE FOR OPTIONS

REVISIONS	CHNG	CHECK	APPR
	CHANGE		
	REV	DATE	

TOLERANCE UNLESS OTHERWISE SPECIFIED	
X	± 1
X.X	± 0.4
X.XX	± 0.20
DRAWN BY	DF
CHECK BY	DATE: 2/14/06
APPR BY	DATE:

Power Dynamics, Inc.

Phone: 973 560-0019 Whippany, New Jersey Fax: 973 560-0076

PART: RIGHT ANGLE FILTERED, FEMALE D-SUB
PCB MOUNT, 8.1mm FOOTPRINT

PART #: PDF-XXR-XXX		SHEET 1 of 1
SIZE: A	ALL DIMENSIONS FOR REFERENCE ONLY DIMENSIONS ARE IN MILLIMETERS	REV:
SCALE: NTS		

6

5

4

3

2

1

6

5

4

3

2

1

MATERIAL AND FINISH

Insulator: PBT & glass fiber reinforced, UL-94V-0 rated.

Shell: Steel, Nickel plated.

Contacts: Brass, Gold over Nickel plated.

ELECTRICAL SPECIFICATIONS:

Rated current: 5A

Insulation resistance: 1000 Mohm min. at 500 VDC

Dielectric withstanding voltage: 1000 VAC for one minute

Contact resistance: 15 mohm max

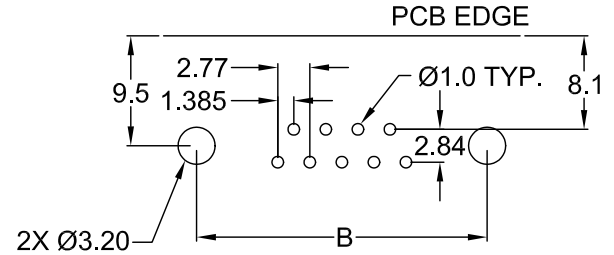
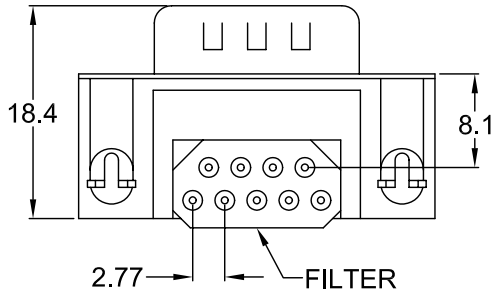
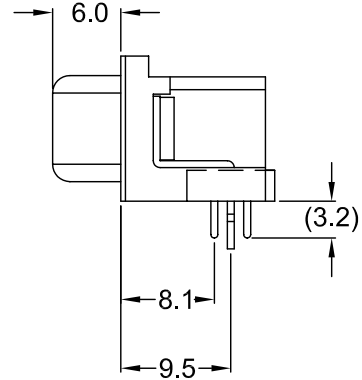
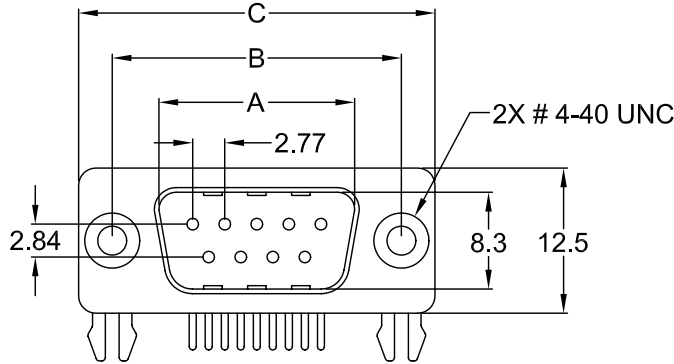
ENVIRONMENTAL:

Operating Temperature: -55°C TO +105°C

NOTES:

Replace the first XX in P/N with number of positions.

POSITION	A	B	C
09	16.9	25.0	30.8
15	25.3	33.3	39.2
25	39.0	47.1	53.1
37	55.2	63.5	69.4



-XXX: SEE ORDERING CODE FOR OPTIONS

REVISIONS	CHNG	CHK	APPR
REV	DATE	BY	DATE

TOLERANCE UNLESS OTHERWISE SPECIFIED	
X	± 1
X.X	± 0.4
X.XX	± 0.20
DRAWN BY	DF
DATE:	2/14/06
CHECK BY	DATE:
APPR BY	DATE:

Power Dynamics, Inc.
 Phone: 973 560-0019 Whippany, New Jersey Fax: 973 560-0076
 PART: RIGHT ANGLE FILTERED, MALE D-SUB
 PCB MOUNT, 8.1mm FOOTPRINT

PART #: PDF-XXS-XXX		SHEET 1 of 1
SIZE: A	ALL DIMENSIONS FOR REFERENCE ONLY DIMENSIONS ARE IN MILLIMETERS	
SCALE: NTS	REV:	

6

5

4

3

2

1

6

5

4

3

2

1

MATERIAL AND FINISH

Insulator: PBT & glass fiber reinforced, UL-94V-0 rated.

Shell: Steel, Nickel plated.

Contacts: Brass, Gold plated over Nickel.

ELECTRICAL SPECIFICATIONS:

Rated current: 5A

Insulation resistance: 1000 Mohm min. at 500 VDC

Dielectric withstanding voltage: 1000 VAC for one minute

Contact resistance: 15 mohm max

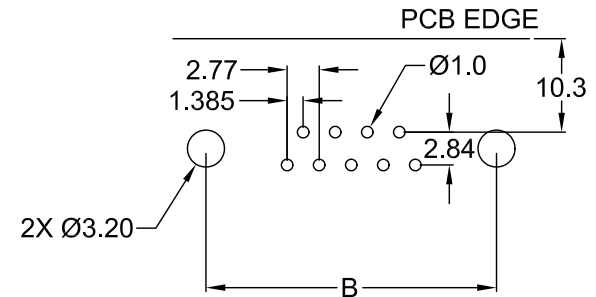
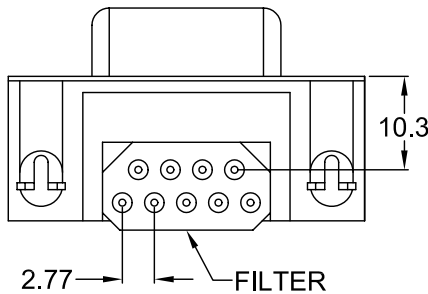
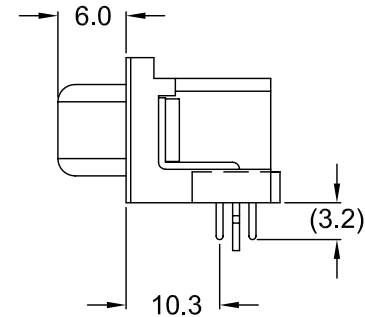
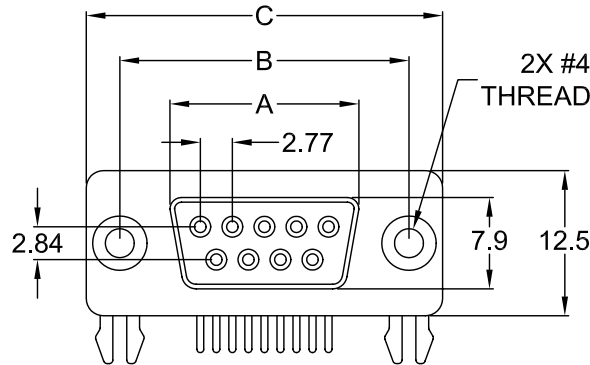
ENVIRONMENTAL:

Operating temperature: -55°C TO +105°C

NOTES:

Replace the first XX in P/N with number of positions.

POSITION	A	B	C
09	16.3	25.0	30.8
15	24.6	33.3	39.2
25	38.3	47.1	53.1
37	54.8	63.5	69.4



-XXX: SEE ORDERING CODE FOR OPTIONS

REVISIONS	CHNG	CHK	APPR
	CHANGE		
	DATE		
REV			

TOLERANCE UNLESS OTHERWISE SPECIFIED	
X	± 1
X.X	± 0.4
X.XX	± 0.20
DRAWN BY	DF
CHECK BY	
APPR BY	
DATE:	2/14/06
DATE:	
DATE:	

Power Dynamics, Inc.

Phone: 973 560-0019 Whippany, New Jersey Fax: 973 560-0076

PART: RIGHT ANGLE FILTERED, FEMALE D-SUB
PCB MOUNT, 10.3mm FOOTPRINT

PART #: PDF-XXR-9-XXX		SHEET 1 of 1
SIZE: A	ALL DIMENSIONS FOR REFERENCE ONLY DIMENSIONS ARE IN MILLIMETERS	REV:
SCALE: NTS		

6

5

4

3

2

1

6

5

4

3

2

1

MATERIAL AND FINISH

Insulator: PBT & glass fiber reinforced, UL-94V-0 rated.

Shell: Steel, Nickel plated.

Contacts: Brass, Gold over Nickel plated.

ELECTRICAL SPECIFICATIONS:

Rated current: 5A

Insulation resistance: 1000 Mohm min. at 500 VDC

Dielectric withstanding voltage: 1000 VAC for one minute

Contact resistance: 15 mohm max

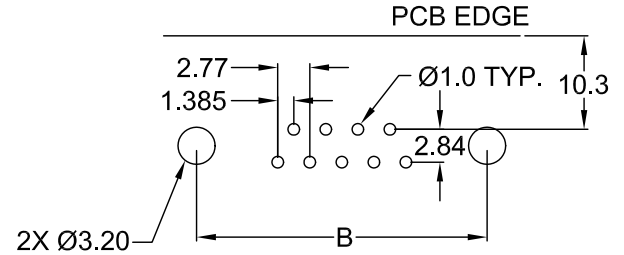
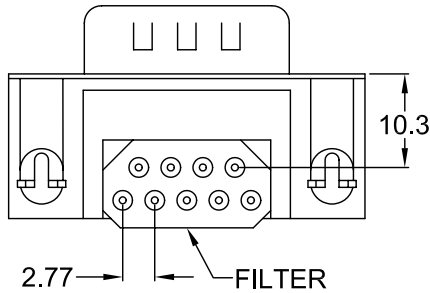
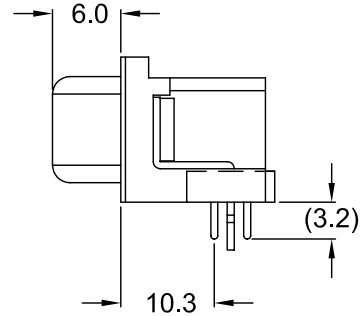
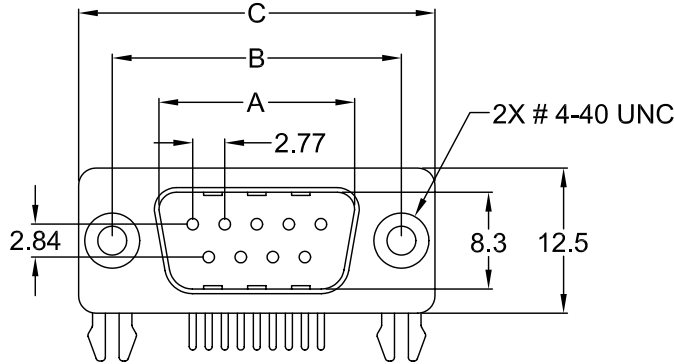
ENVIRONMENTAL:

Operating Temperature: -55°C TO +105°C

NOTES:

Replace the first XX in P/N with number of positions.

POSITION	A	B	C
09	16.9	25.0	30.8
15	25.3	33.3	39.2
25	39.0	47.1	53.1
37	55.2	63.5	69.4



-XXX: SEE ORDERING CODE FOR OPTIONS

REVISIONS	CHNG	CHK	APPR
	CHANGE		
	DATE		
REV			

TOLERANCE UNLESS OTHERWISE SPECIFIED	
X	± 1
X.X	± 0.4
X.XX	± 0.20
DRAWN BY	DF
DATE:	2/14/06
CHECK BY	
DATE:	
APPR BY	
DATE:	

Power Dynamics, Inc.
 Phone: 973 560-0019 Whippany, New Jersey Fax: 973 560-0076

PART: RIGHT ANGLE FILTERED, MALE D-SUB
 PCB MOUNT, 10.3mm FOOTPRINT

PART #: PDF-XXS-9-XXX

SIZE: A

SCALE: NTS

SHEET 1 of 1

ALL DIMENSIONS FOR REFERENCE ONLY
 DIMENSIONS ARE IN MILLIMETERS

REV:

6

5

4

3

2

1

6

5

4

3

2

1

MATERIAL AND FINISH

Insulator: PBT & Glass Fiber reinforced, UL 94V-0 Rated.
Shell: Steel, Tin Plated.
Pin contact: Brass, gold flash plating over Nickel.

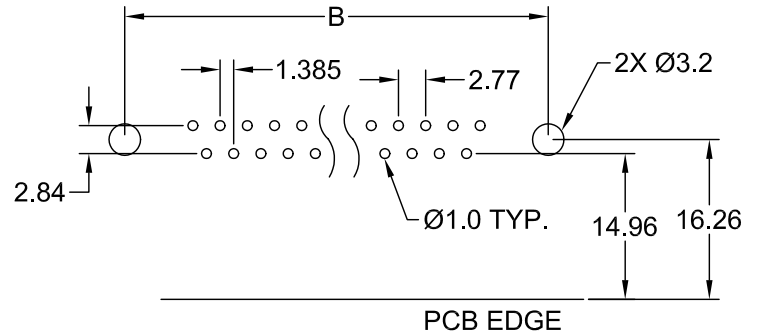
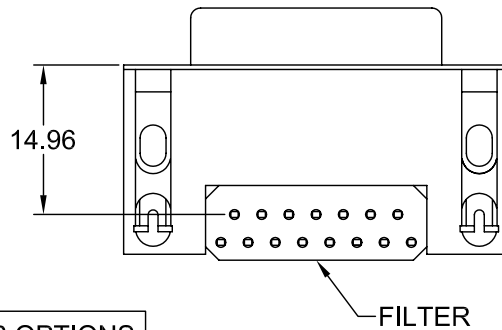
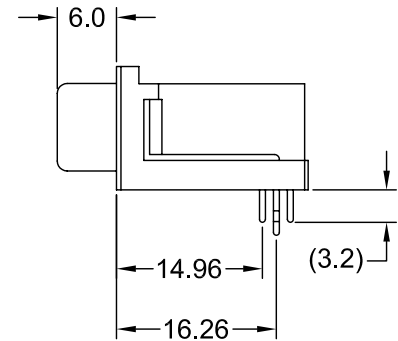
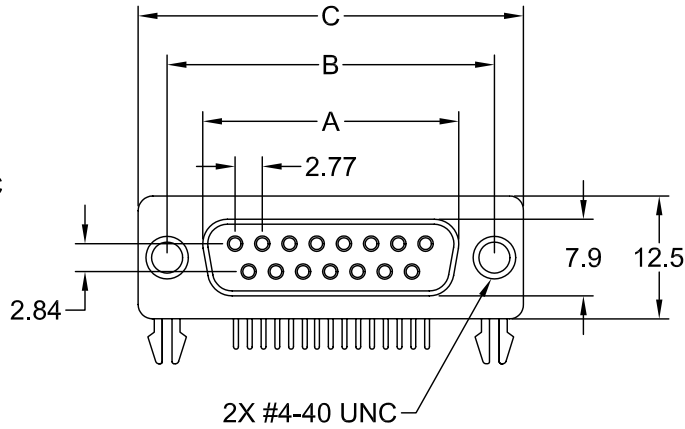
Operating Temperature: -55°C to +105°C

ELECTRICAL SPECIFICATIONS:

Rated Current: 2A
Insulation Resistance: 1000 Mohm min @ 500VDC
Dielectric Withstanding Voltage: 1000VAC / 1 MIN.
Contact Resistance: 15 mohm max.

NOTE: Replace first XX in part number with number of positions.

POSITION	A	B	C
09	16.3	25.0	30.8
15	24.6	33.3	39.2
25	38.3	47.1	53.1
37	54.8	63.5	69.4



RECOMMENDED PCB LAYOUT TOP VIEW

-XXX: SEE ORDERING CODE FOR OPTIONS

REVISIONS	CHNG	CHECK	APPR
	DATE	BY	DATE
	REV	DATE	BY

TOLERANCE UNLESS OTHERWISE SPECIFIED			
X	± 1		
X.X	± 0.4		
X.XX	± 0.13		
DRAWN BY	DF	DATE:	2/14/06
CHECK BY		DATE:	
APPR BY		DATE:	

Power Dynamics, Inc.

Phone: 973 560-0019 Whippany, New Jersey Fax: 973 560-0076

PART: RIGHT ANGLE FILTERED, FEMALE D-SUB PCB MOUNT, 14.96mm FOOTPRINT

PART #: PDF-XXR-13-XXX		SHEET 1 of 1
SIZE: A	ALL DIMENSIONS FOR REFERENCE ONLY DIMENSIONS ARE IN MILLIMETERS	REV:
SCALE: NTS		

6

5

4

3

2

1

6

5

4

3

2

1

MATERIAL AND FINISH

Insulator: PBT & Glass Fiber reinforced, UL 94V-0 Rated.
Shell: Steel, Tin Plated.
Pin contact: Brass, gold flash plating over Nickel.

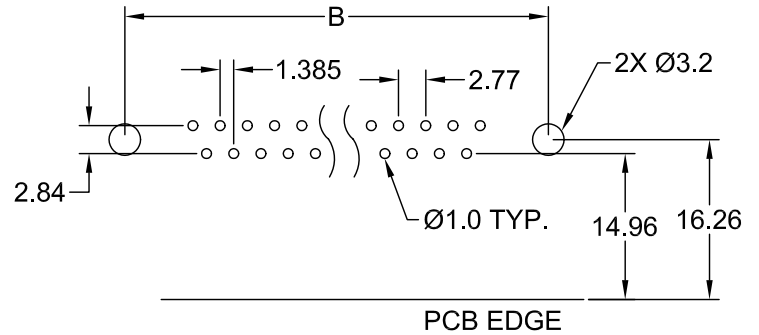
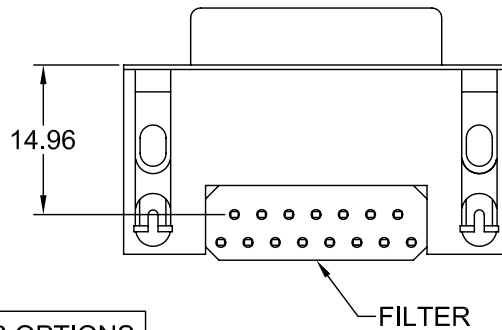
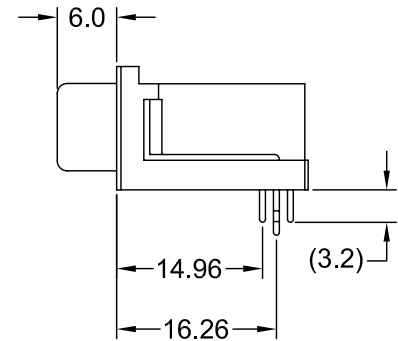
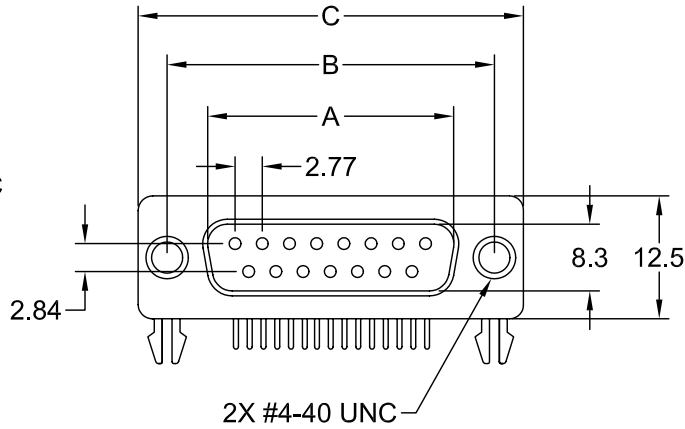
Operating Temperature: -55°C to +105°C

ELECTRICAL SPECIFICATIONS:

Rated Current: 2A
Insulation Resistance: 1000 Mohm min @ 500VDC
Dielectric Withstanding Voltage: 1000VAC / 1 MIN.
Contact Resistance: 15 mohm max.

NOTE: Replace first XX in part number with number of positions.

POSITION	A	B	C
09	16.9	25.0	30.8
15	25.3	33.3	39.2
25	39.0	47.1	53.1
37	55.2	63.5	69.4



RECOMMENDED PCB LAYOUT TOP VIEW

-XXX: SEE ORDERING CODE FOR OPTIONS

REVISIONS	CHNG	CHECK	APPR
	REV	DATE	
	CHANGE		

TOLERANCE UNLESS OTHERWISE SPECIFIED			
X	± 1		
X.X	± 0.4		
X.XX	± 0.13		
DRAWN BY	DF	DATE:	2/14/06
CHECK BY		DATE:	
APPR BY		DATE:	

Power Dynamics, Inc.

Phone: 973 560-0019 Whippany, New Jersey Fax: 973 560-0076

PART: RIGHT ANGLE FILTERED, MALE D-SUB
PCB MOUNT, 14.96mm FOOTPRINT

PART #: PDF-XXS-13-XXX		SHEET 1 of 1
SIZE: A	ALL DIMENSIONS FOR REFERENCE ONLY DIMENSIONS ARE IN MILLIMETERS	REV:
SCALE: NTS		

6

5

4

3

2

1