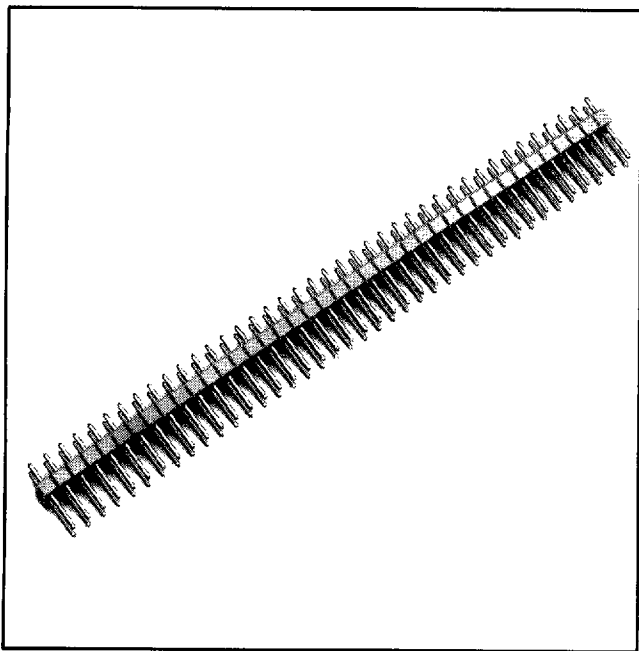


.100" x .100" Pin Strip Header

Straight Solder Tail

2400 Series



- Break to length for faster delivery, lower inventory costs, and faster prototyping
- Bullet nose pin tip does not cut the socket wipe during insertion reducing operational failures and repairs
- Solder standoffs are easy to wash of flux residue reducing costly rework
- Board pin retention feature available

59

TS-0346-13
Sheet 1 of 2

Physical

Insulation

Material: Glass Filled Polyester (PBT)
Flammability: UL 94V-0
Color: Gray

Contact

Material: Phosphor Bronze (C510)
Plating
Underplate: 100 μ " [2.54 μ m] Nickel — QQ-N-290, Class 2
Wiping Area: Gold — MIL-G-45204, Type II, Grade C
Solder Tails: 200 μ " [5.08 μ m] 90/10 Tin Lead — MIL-P-81728

Electrical

Current Rating: 3 A
Insulation Resistance: $>1 \times 10^9 \Omega$ at 500 Vdc
Withstanding Voltage: 1000 Vac at Sea Level

Environmental

Temperature Rating: -55°C to $+105^\circ\text{C}$

UL File No.: E68080

CSA File No.: LR 40971

3M Electronic Products Division

6801 River Place Blvd.
Austin, TX 78726-9000

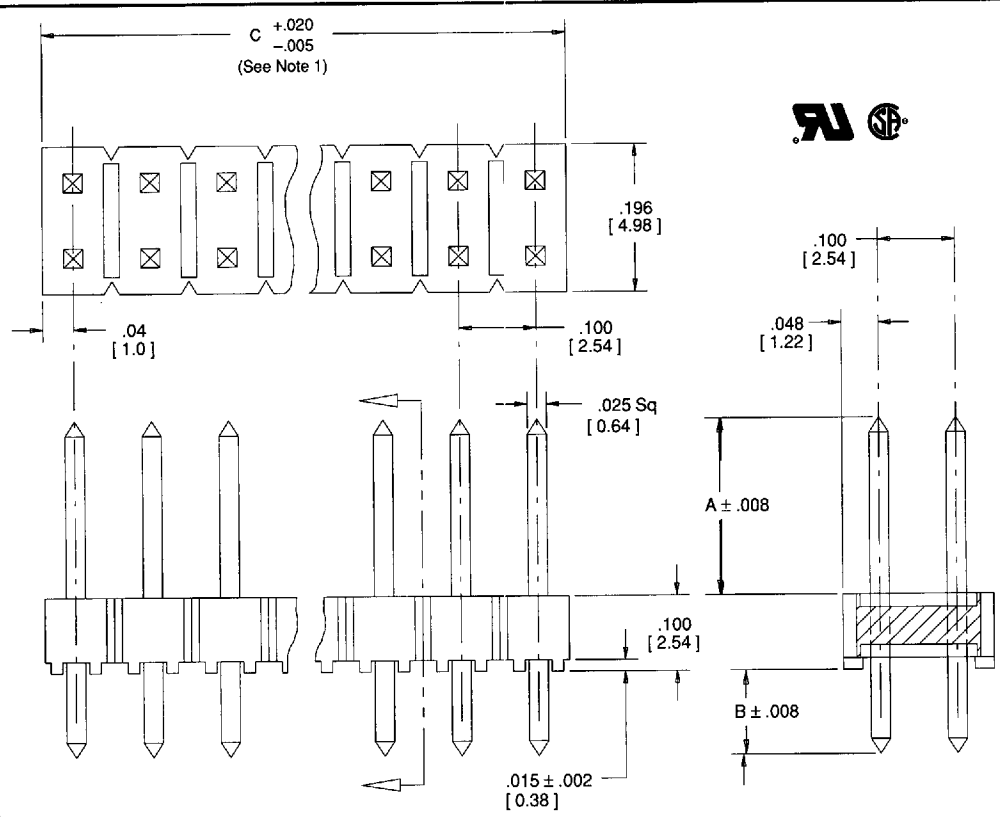
9005413 0000160 445

.100" x .100" Pin Strip Header

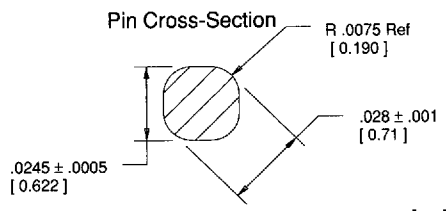
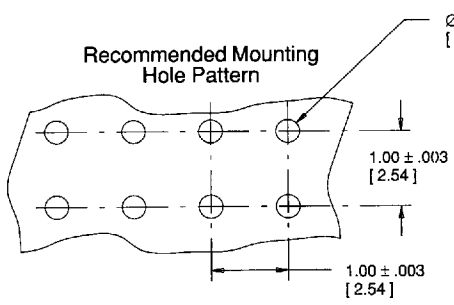
Straight Solder Tail

2400 Series

Sheet 2 of 2



Contact Qty	Dimension C
02	0.09 [2.3]
04	0.19 [4.8]
06	0.29 [7.4]
08	0.39 [9.9]
10	0.49 [12.4]
12	0.59 [15.0]
14	0.69 [17.5]
16	0.79 [20.1]
18	0.89 [22.6]
20	0.99 [25.1]
22	1.09 [27.7]
24	1.19 [30.2]
26	1.29 [32.8]
28	1.39 [35.3]
30	1.49 [37.8]
32	1.59 [40.4]
34	1.69 [42.9]
36	1.79 [45.5]
38	1.89 [48.0]
40	1.99 [50.5]
42	2.09 [53.1]
44	2.19 [55.6]
46	2.29 [58.2]
48	2.39 [60.7]
50	2.49 [63.2]
52	2.59 [65.8]
54	2.69 [68.3]
56	2.79 [70.9]
58	2.89 [73.4]
60	2.99 [75.9]
62	3.09 [78.5]
64	3.19 [81.0]
66	3.29 [83.6]
68	3.39 [86.1]
70	3.49 [88.6]
72	3.59 [91.2]
74	3.69 [93.7]
76	3.79 [96.3]
78	3.89 [98.8]
80	3.98 [101.1]



Inch
[mm]

Tolerance Unless Noted			
	.0	.00	.000
Inch	$\pm .1$	$\pm .01$	$\pm .005$

[] Dimensions for Reference Only

- Notes:
- This part is molded in the 40 contact quantity version. Parts that require fewer contacts are broken to length. Dimension "C" is measured from a "Molded End" to the "Center of the Break Point" beyond the desired quantity. On Pin Strips, which have break points on both ends, "C" = $.100$ " x contact quantity.
 - The recommended PCB hole size for the kinked tail positions on the $.112$ " solder tail connector is $.035$ " \pm $.002$.

Ordering Information

