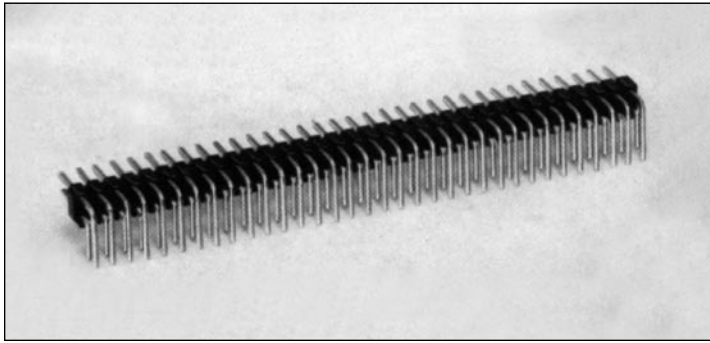


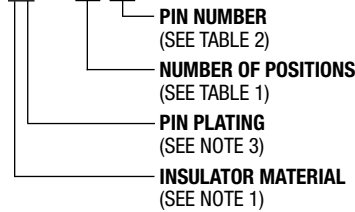
# .100" (2.54mm) Dual Row, Through Hole, Right Angle Header



## 9100 SERIES ("POST/BOXE")

PART NUMBER LEGEND

### 91XX-3-2XX-XX



## MATING CONNECTORS: 9000 SERIES

### NOTES:

- INSULATOR MATERIAL:  
 910X- POLYESTER (PET), 30% GLASS REINFORCED, UL 94V-0  
 911X- POLYESTER (PCT), 30% GLASS REINFORCED, UL 94V-0
- PIN MATERIAL : PHOSPHOR BRONZE
- PIN FINISH :  
 9100-3-2XX-XX - TIN OVER NICKEL PLATE.  
 9102-3-2XX-XX - .000015 GOLD OVER .000050 NICKEL PLATE.  
 9108-3-2XX-XX - .000050/.000150 NICKEL PLATE ALL OVER; .000030 SEL. GOLD PLATE AS INDICATED; .0001-.0002 SEL. 90/10 TIN/LEAD ON SOLDER TAIL AS INDICATED.  
 910E-3-2XX-XX - .000050/.000150 NICKEL PLATE ALL OVER; .000015 SEL. GOLD PLATE AS INDICATED; .0001-.0002 SEL. 90/10 TIN/LEAD ON SOLDER TAIL AS INDICATED.
- PIN RETENTION: 2 LB. MINIMUM.

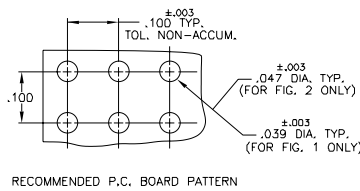
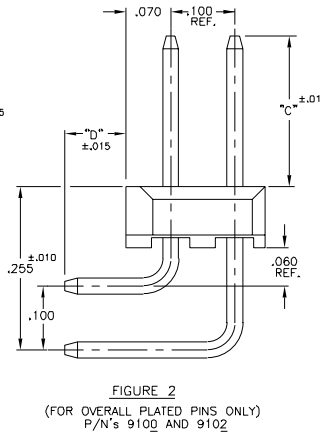
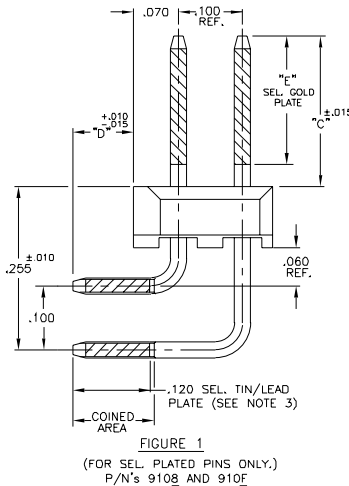
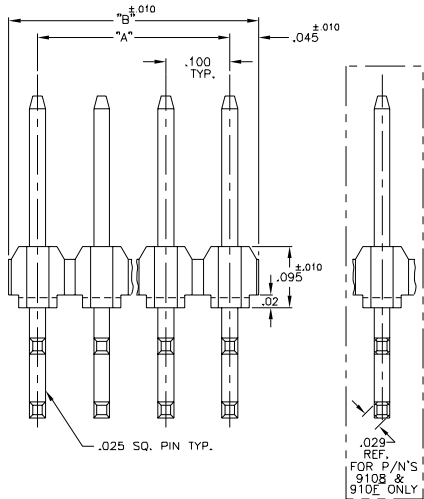
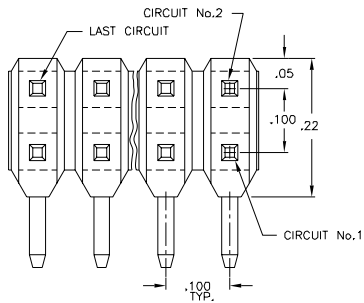


TABLE 1

PART NUMBER	No. OF CIRCUITS	DIM. "A"	DIM. "B"
910X-3-202-XX	4	.100	.190
-203-	6	.200	.290
-204-	8	.300	.390
-205-	10	.400	.490
-206-	12	.500	.590
-207-	14	.600	.690
-208-	16	.700	.790
-209-	18	.800	.890
-210-	20	.900	.990
-211-	22	1.000	1.090
-212-	24	1.100	1.190
-213-	26	1.200	1.290
-214-	28	1.300	1.390
-215-	30	1.400	1.490
-216-	32	1.500	1.590
-217-	34	1.600	1.690
-218-	36	1.700	1.790
-219-	38	1.800	1.890
-220-	40	1.900	1.990
-221-	42	2.000	2.090
-222-	44	2.100	2.190
-223-	46	2.200	2.290
-224-	48	2.300	2.390
-225-	50	2.400	2.490
-226-	52	2.500	2.590
-227-	54	2.600	2.690
-228-	56	2.700	2.790
-229-	58	2.800	2.890
-230-	60	2.900	2.990
-231-	62	3.000	3.090
-232-	64	3.100	3.190
-233-	66	3.200	3.290
-234-	68	3.300	3.390
-235-	70	3.400	3.490
-236-	72	3.500	3.590
-237-	74	3.600	3.690
-238-	76	3.700	3.790
-239-	78	3.800	3.890
910X-3-240-XX	80	3.900	3.990

TABLE 2

PART No.	"C"	"D"	"E"
910X-3-2XX-01	.230	.110	.200
-02	.320	.110	.200
-03	.500	.110	—
-04	.230±.010	.290	—
-05	.230	.090	.200
-06	.318	.095	.200
-07	.110	.110	—
-08	.280	.110	.200
910X-3-2XX-09	.230	.190	.200

