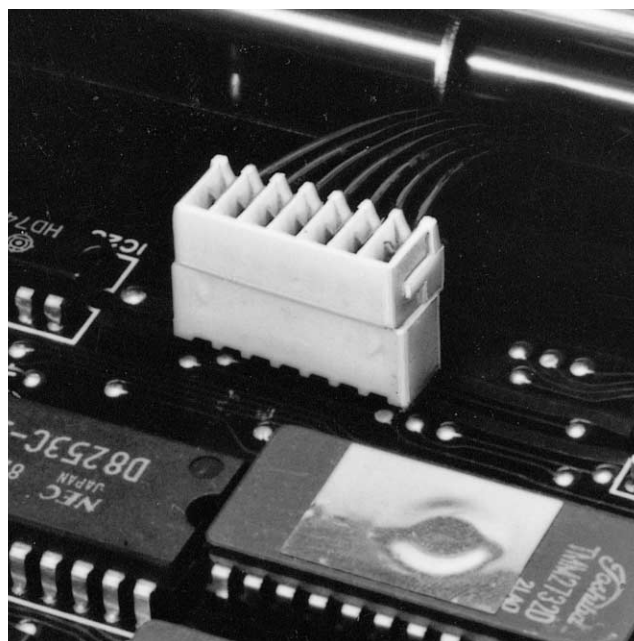
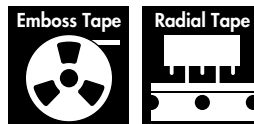
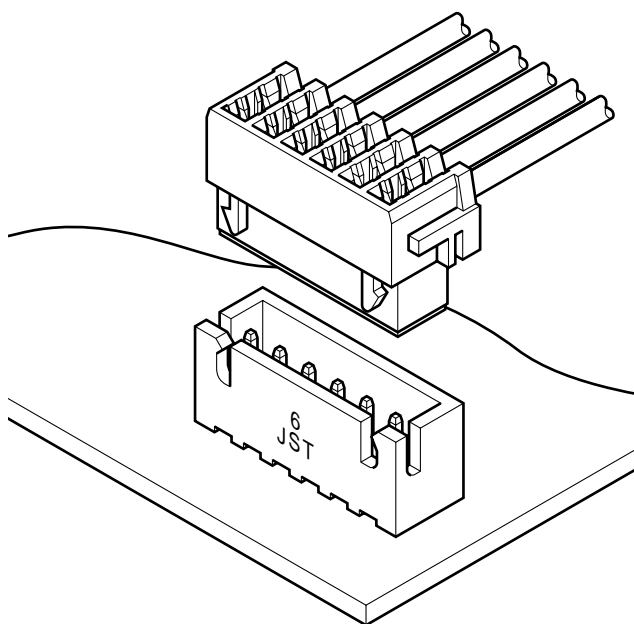


# NR CONNECTOR

Disconnectable Insulation displacement connectors



**The NR connector is our first insulation displacement connector designed for printed circuit boards and has a justified reputation for reliability. The receptacle accepts both discrete wires and ribbon cables.**



## Features

### • Low profile

The connector has a low profile with a mounting height of 13.1mm (.516").

### • Twin U-slot insulation displacement section

The insulation displacement section connected to each wire consists of two tin-plated slots (twin U-slots), which ensures reliable connection.

### • Strain relief

The housing has a strain relief feature that supports and protects the insulation displacement connection from vibration, shock, and bending.

### • Interchangeability

The shrouded header is interchangeable with the XH connectors (crimp style), the NRD connectors (IDC style), and the JQ connectors (board-to-board style).

## Specifications

- Current rating: 2A AC,DC (AWG #24)
- Voltage rating: 250V AC,DC
- Temperature range: -25°C to +85°C  
(including temperature rise in applying electrical current)
- Contact resistance: Initial value/10m Ω max.  
After environmental testing/20m Ω max.
- Insulation resistance: 1,000M Ω min.
- Withstanding voltage: 1,500V AC/minute
- Applicable wire: UL1007(Contact JST for details regarding other UL wires.)  
AWG #28, #26, #24  
Conductor/7 strands, tin-coated  
Insulation O.D./1.1 to 1.5mm(.043" to .059")
- Applicable PC board thickness: 1.6mm(.063")
- \* Contact JST if Lead-Free product is required.
- \* Refer to "General Instruction and Notice when using Terminals and Connectors" at the end of this catalog.
- \* Contact JST for details.

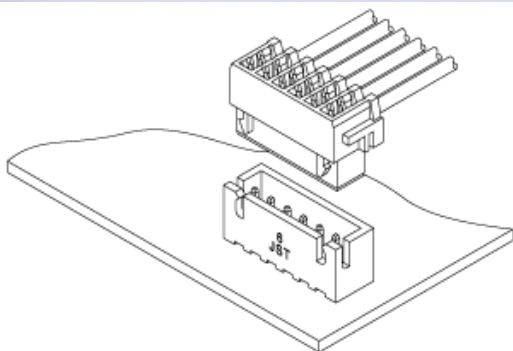
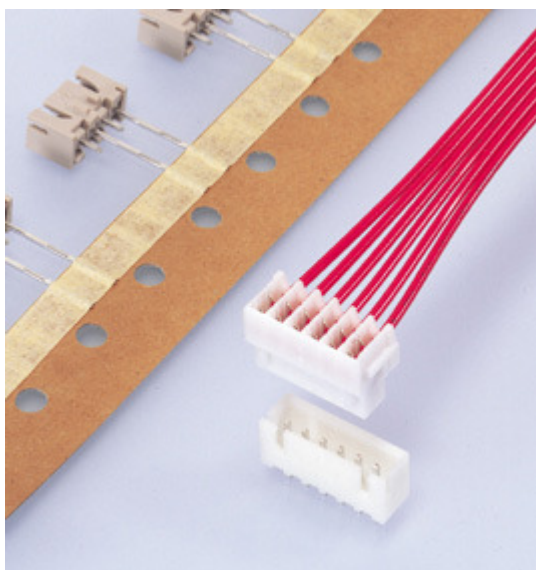
## Standards

- Ⓜ Recognized E60389
- Ⓢ Certified LR20812
- Ⓡ R85272





## NR connector



\*Twin U-slot ID section

\*The same shrouded header can be used for the NRD style connector, the NRD and the BR insulation displacement connectors, and the JQ board-to-board connector

### Product Profile

Series	NR connector
Category	Wire to Board Insulation Displacement Connectors
Type	Disconnectable type IDC style, Top entry, Wire side-feed

### Specification

Pitch	2.5
Current rating	AC/DC 2A (AWG#24)
Voltage rating	AC/DC 250V
Available number of circuits	2 to 10,12,13
PC board mounting direction	Top entry, Side entry

RoHS compliant products are published.

(LF)(SN) as identification part number shall be displayed on the product. When ordering RoHS compliant products, please inquire to the nearest JST Sales Office, or order them with the described part number (LF)(SN) as the identification marking after it.



[Further Information](#)