

# D-SUB ~ RIGHT ANGLE

# DNR SERIES

## 7.2/8.08mm Footprint

### MATERIAL

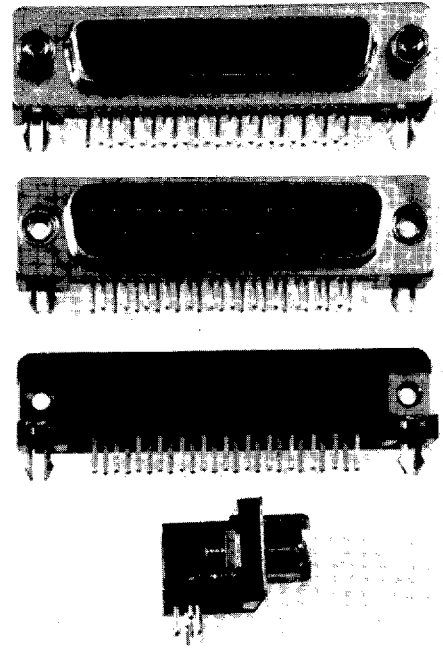
Insulator: Black PBT (UL 94V-0)  
 Contact: Copper Alloy  
 Contact Plating: Gold Over Nickel (see "Plating Option" below)  
 Shell: Steel, with Tin Plating  
 Hardware Plating: Jackscrew and Clinch Nut ~ Nickel Over Brass  
 L Bracket and Board Lock ~ Tin Over Brass

### SPECIFICATIONS

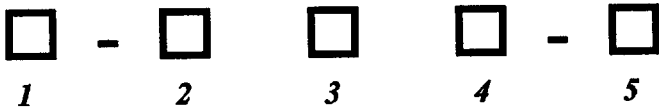
Current Rating: 5A  
 Insulator Resistance: 1000 MΩ Min at 500V DC  
 Voltage Rating: 1000V for one minute  
 Operating Temperature: -55°C - +105°C

### FEATURES

- Industry standard "short" (.283"/.318") footprint
- Will mate to industrial standard "D" subminiature connectors
- Can be directly installed over the PCB trace pattern with no shorting
- Shielding system helps to reduce EMI/RFI emissions from other electronic equipments
- Special hardware options available (see "Mounting Option" below)
- **Mating Series:** DN, DNS, DNP, DNC, DNR, DNRI, DNRL, DNDP, DNF



## HOW TO ORDER:



### 1. SERIES

DNR = D-Sub, Right Angle  
 (7.2/8.08mm Footprint)

### 2. POSITION

09 = 9 Position  
 15 = 15 Position  
 25 = 25 Position  
 37 = 37 Position  
 50 = 50 Position

### 3. GENDER

P = Plug (Male)  
 S = Socket (Female)

### 4. MOUNTING OPTION\*

JL = Jack Screw with L Bracket  
 JB = Jack Screw with Board Lock  
 CL = Clinch Nut (4-40) with L Bracket  
 CB = Clinch Nut (4-40) with Board Lock  
 CJL = Clinch Nut (4-40) and Jack Screw with L Bracket  
 CJB = Clinch Nut (4-40) and Jack Screw with Board Lock

\*NOTE: See illustrations on page 30.

### 5. PLATING OPTION

SG = Selective Gold Flash  
 SG15 = Selective Gold, 15μ"  
 SG30 = Selective Gold, 30μ"  
 SG50 = Selective Gold, 50μ"  
 G = Full Gold Flash  
 G15 = Full Gold, 15μ"  
 G30 = Full Gold, 30μ"

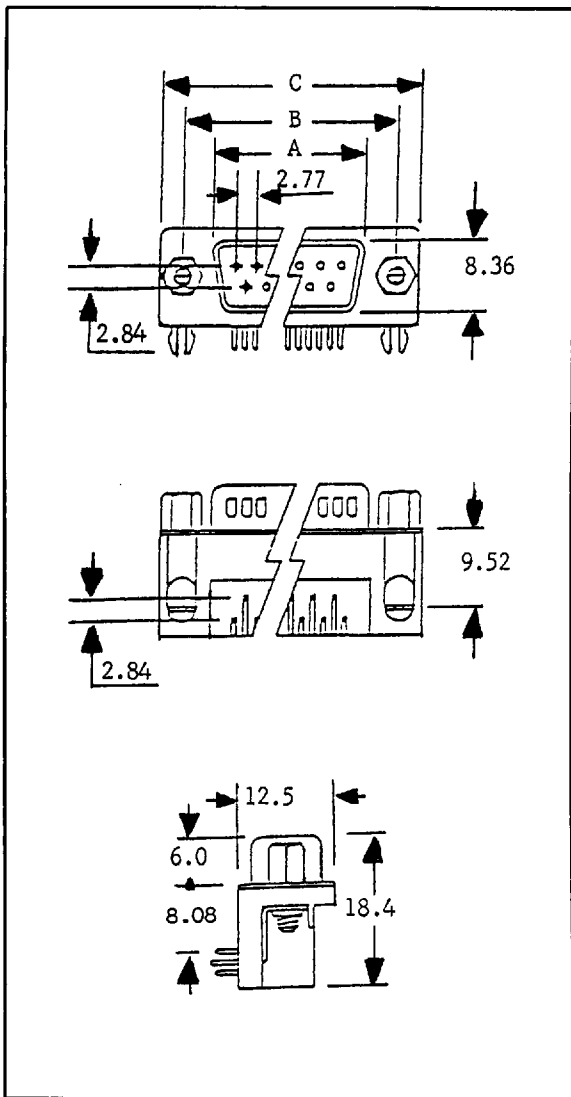
# D-SUB ~ RIGHT ANGLE

## 7.2/8.08mm Footprint

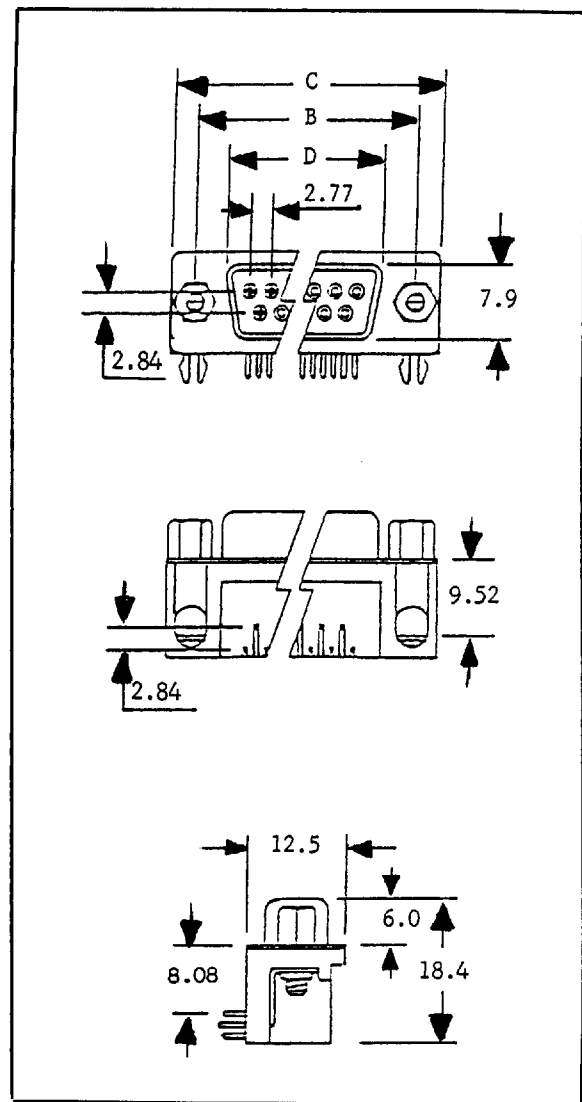
# DNR SERIES

### SPECIFICATIONS:

#### MALE



#### FEMALE



### DIMENSIONS:

POSITION	A	B	C	D
9	16.92	24.99	30.81	16.33
15	25.25	33.32	39.14	24.66
25	38.96	47.04	53.04	38.38
37	55.42	63.50	69.32	54.84
50	52.86	61.11	66.90	52.34

**ENGINEERS:** For detailed Data Sheets, including *tolerances*, see pages 157 & 159 or call us!

# MOUNTING OPTIONS

# RIGHT ANGLE D-SUBS

**\*SERIES: DNR, DNRI, DNRL, DNHR, DNDP**

