

SN54LVT240, SN74LVT240 3.3-V ABT OCTAL BUFFERS/DRIVERS WITH 3-STATE OUTPUTS

SCBS143B - SEPTEMBER 1992 - REVISED JUNE 1993

- State-of-the-Art Advanced BiCMOS Technology (ABT) Design for 3.3-V Operation and Low-Static Power Dissipation
- Supports Mixed-Mode Signal Operation (5-V Input and Output Voltages With 3.3-V V_{CC})
- Supports Unregulated Battery Operation Down to 2.7 V
- Typical V_{OLP} (Output Ground Bounce) < 0.8 V at $V_{CC} = 3.3$ V, $T_A = 25^\circ\text{C}$
- ESD Protection Exceeds 2000 V Per MIL-STD-883C, Method 3015; Exceeds 200 V Using Machine Model ($C = 200$ pF, $R = 0$)
- Latch-Up Performance Exceeds 500 mA Per JEDEC Standard JESD-17
- Bus-Hold Data Inputs Eliminate the Need for External Pullup Resistors
- Package Options Include Plastic Small-Outline (SOIC), Shrink Small-Outline (SSOP), and Thin Shrink Small-Outline (TSSOP) Packages, Ceramic Chip Carriers, and Plastic and Ceramic DIPs

description

These octal buffers and line drivers are designed specifically for low-voltage (3.3-V) V_{CC} operation, but with the capability to provide a TTL interface to a 5-V system environment.

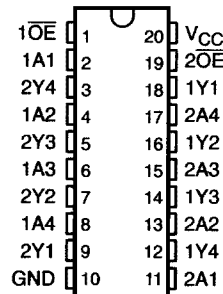
The 'LVT240 is organized as two 4-bit buffer/line drivers with separate output-enable (\overline{OE}) inputs. When \overline{OE} is low, the device passes data from the A inputs to the Y outputs. When \overline{OE} is high, the outputs are in the high-impedance state.

Active bus-hold circuitry is provided to hold unused or floating data inputs at a valid logic level.

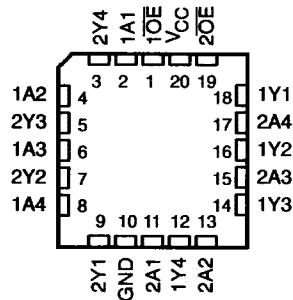
The SN74LVT240 is available in TI's shrink small-outline package (DB), which provides the same I/O pin count and functionality of standard small-outline packages in less than half the printed-circuit-board area.

The SN54LVT240 is characterized for operation over the full military temperature range of -55°C to 125°C . The SN74LVT240 is characterized for operation from -40°C to 85°C .

SN54LVT240 . . . J PACKAGE
SN74LVT240 . . . DB, DW, OR PW PACKAGE
(TOP VIEW)



SN54LVT240 . . . FK PACKAGE
(TOP VIEW)



FUNCTION TABLE
(each buffer)

INPUTS		OUTPUT
\overline{OE}	A	Y
L	H	L
L	L	H
H	X	Z

UNLESS OTHERWISE NOTED this document contains PRODUCTION DATA information current as of publication date. Products conform to specifications per the terms of Texas Instruments standard warranty. Production processing does not necessarily include testing of all parameters.

 **TEXAS
INSTRUMENTS**

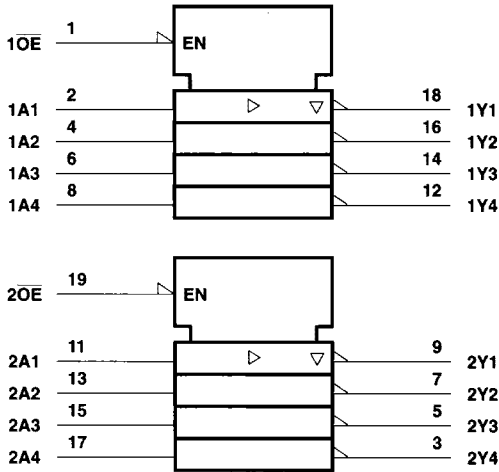
POST OFFICE BOX 655303 • DALLAS, TEXAS 75265

Copyright © 1993, Texas Instruments Incorporated

SN54LVT240, SN74LVT240 3.3-V ABT OCTAL BUFFERS/DRIVERS WITH 3-STATE OUTPUTS

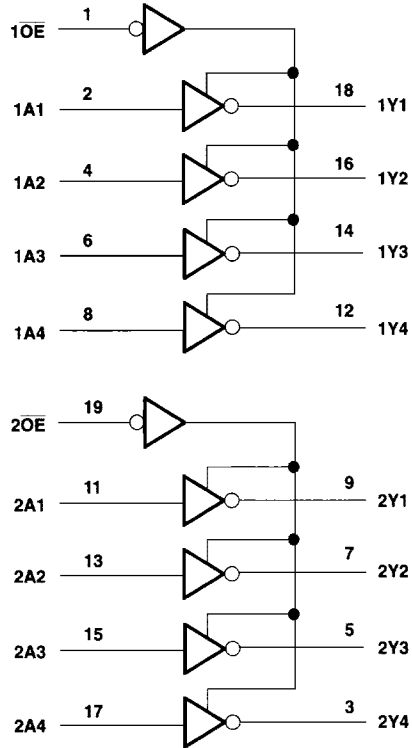
SCBS143B – SEPTEMBER 1992 – REVISED JUNE 1993

logic symbol†



† This symbol is in accordance with ANSI/IEEE Std 91-1984 and IEC Publication 617-12.

logic diagram (positive logic)



absolute maximum ratings over operating free-air temperature range (unless otherwise noted)‡

Supply voltage range, V_{CC}	-0.5 V to 4.6 V
Input voltage range, V_I (see Note 1)	-0.5 V to 7 V
Voltage range applied to any output in the high state or power-off state, V_O (see Note 1)	-0.5 V to 7 V
Current into any output in the low state, I_{OL} : SN54LVT240	96 mA
SN74LVT240	128 mA
Current into any output in the high state, I_{OH} (see Note 2): SN54LVT240	48 mA
SN74LVT240	64 mA
Input clamp current, I_{IK} ($V_I < 0$)	-50 mA
Output clamp current, I_{OK} ($V_O < 0$)	-50 mA
Maximum power dissipation at $T_A = 55^\circ\text{C}$ (in still air): DB package	0.65 W
DW package	0.85 W
PW package	0.6 W
Storage temperature range	-65°C to 150°C

‡ Stresses beyond those listed under "absolute maximum ratings" may cause permanent damage to the device. These are stress ratings only, and functional operation of the device at these or any other conditions beyond those indicated under "recommended operating conditions" is not implied. Exposure to absolute-maximum-rated conditions for extended periods may affect device reliability.

- NOTES: 1. The input and output negative-voltage ratings may be exceeded if the input and output clamp-current ratings are observed.
2. This current will only flow when the output is in the high state and $V_O > V_{CC}$.

SN54LVT240, SN74LVT240
3.3-V ABT OCTAL BUFFERS/DRIVERS
WITH 3-STATE OUTPUTS

SCBS143B – SEPTEMBER 1992 – REVISED JUNE 1993

recommended operating conditions

		SN54LVT240		SN74LVT240		UNIT	
		MIN	MAX	MIN	MAX		
V _{CC}	Supply voltage	2.7	3.6	2.7	3.6	V	
V _{IH}	High-level input voltage	2		2		V	
V _{IL}	Low-level input voltage		0.8		0.8	V	
V _I	Input voltage		5.5		5.5	V	
I _{OH}	High-level output current		-24		-32	mA	
I _{OL}	Low-level output current		24		32	mA	
I _{OL} [†]	Low-level output current		48		64	mA	
Δt/Δv	Input transition rise or fall rate	Outputs enabled			10	10	ns/V
T _A	Operating free-air temperature	-55	125	-40	85	°C	

[†] Current duty cycle ≤ 50%, f ≥ 1 kHz

PRODUCT PREVIEW information concerns products in the formative or design phase of development. Characteristic data and other specifications are design goals. Texas Instruments reserves the right to change or discontinue these products without notice.



SN54LVT240, SN74LVT240

3.3-V ABT OCTAL BUFFERS/DRIVERS

WITH 3-STATE OUTPUTS

SCBS143B - SEPTEMBER 1992 - REVISED JUNE 1993

electrical characteristics over recommended operating free-air temperature range (unless otherwise noted)

PARAMETER	TEST CONDITIONS		SN54LVT240		SN74LVT240		UNIT	
			MIN	TYP†	MAX	MIN		TYP†
V_{IK}	$V_{CC} = 2.7\text{ V}$, $I_I = -18\text{ mA}$				-1.2		V	
V_{OH}	$V_{CC} = \text{MIN to MAX}^\ddagger$, $I_{OH} = -100\text{ }\mu\text{A}$		$V_{CC} - 0.2$		$V_{CC} - 0.2$		V	
	$V_{CC} = 2.7\text{ V}$, $I_{OH} = -8\text{ mA}$		2.4		2.4			
	$V_{CC} = 3\text{ V}$, $I_{OH} = -24\text{ mA}$		2					
	$V_{CC} = 3\text{ V}$, $I_{OH} = -32\text{ mA}$				2			
V_{OL}	$V_{CC} = 2.7\text{ V}$, $I_{OL} = 100\text{ }\mu\text{A}$				0.2		0.2	
	$V_{CC} = 2.7\text{ V}$, $I_{OL} = 24\text{ mA}$				0.5		0.5	
	$V_{CC} = 3\text{ V}$, $I_{OL} = 16\text{ mA}$				0.4		0.4	
	$V_{CC} = 3\text{ V}$, $I_{OL} = 32\text{ mA}$				0.5		0.5	
	$V_{CC} = 3\text{ V}$, $I_{OL} = 48\text{ mA}$				0.55			
	$V_{CC} = 3\text{ V}$, $I_{OL} = 64\text{ mA}$						0.55	
I_I	$V_{CC} = 0\text{ or MAX}^\ddagger$, $V_I = 5.5\text{ V}$				10		10	
	$V_{CC} = 3.6\text{ V}$, $V_I = V_{CC}\text{ or GND}$	Control pins			± 1		± 1	
	$V_{CC} = 3.6\text{ V}$, $V_I = V_{CC}$	Data pins			1		1	
	$V_{CC} = 3.6\text{ V}$, $V_I = 0$				-5		-5	
I_{off}	$V_{CC} = 0$, $V_I\text{ or }V_O = 0\text{ to }4.5\text{ V}$						± 100	
$I_I(\text{hold})$	$V_{CC} = 3\text{ V}$	$V_I = 0.8\text{ V}$	A inputs		75		75	
		$V_I = 2\text{ V}$			-75		-75	
I_{OZH}	$V_{CC} = 3.6\text{ V}$, $V_O = 3\text{ V}$				5		5	
I_{OZL}	$V_{CC} = 3.6\text{ V}$, $V_O = 0.5\text{ V}$				-5		-5	
I_{CC}	$V_{CC} = 3.6\text{ V}$, $V_I = V_{CC}\text{ or GND}$	$I_O = 0$,	Outputs high		0.12	0.19	0.12	0.19
			Outputs low		8.6		12	
			Outputs disabled		0.12	0.19	0.12	0.19
ΔI_{CC}^\S	$V_{CC} = 3\text{ V to }3.6\text{ V}$, One input at $V_{CC} - 0.6\text{ V}$, Other inputs at $V_{CC}\text{ or GND}$				0.2		0.2	
C_I	$V_I = 3\text{ V or }0$				4		pF	
C_O	$V_O = 3\text{ V or }0$				8		pF	

† All typical values are at $V_{CC} = 3.3\text{ V}$, $T_A = 25^\circ\text{C}$.

‡ For conditions shown as MIN or MAX, use the appropriate value specified under recommended operating conditions.

§ This is the increase in supply current for each input that is at the specified TTL voltage level rather than V_{CC} or GND.

switching characteristics over recommended ranges of supply voltage and operating free-air temperature, $C_L = 50\text{ pF}$ (unless otherwise noted) (see Figure 1)

PARAMETER	FROM (INPUT)	TO (OUTPUT)	SN54LVT240			SN74LVT240			UNIT
			$V_{CC} = 3.3\text{ V} \pm 0.3\text{ V}$		$V_{CC} = 2.7\text{ V}$	$V_{CC} = 3.3\text{ V} \pm 0.3\text{ V}$		$V_{CC} = 2.7\text{ V}$	
			MIN	MAX	MAX	MIN	TYP†	MAX	
t_{PLH}	A	Y	1	4.5	5.4	1	2.5	4.3	5.2
t_{PHL}			1	4.5	5.2	1	2.5	4.3	5
t_{PZH}	OE	Y	1	5.4	6.5	1	2.7	5.2	6.3
t_{PZL}			1	5.4	7.4	1	3.1	5.2	6.7
t_{PHZ}	OE	Y	2	5.3	6.5	2	3.9	5.6	6.3
t_{PLZ}			1.6	5.3	5.8	1.6	3.2	5.1	5.6

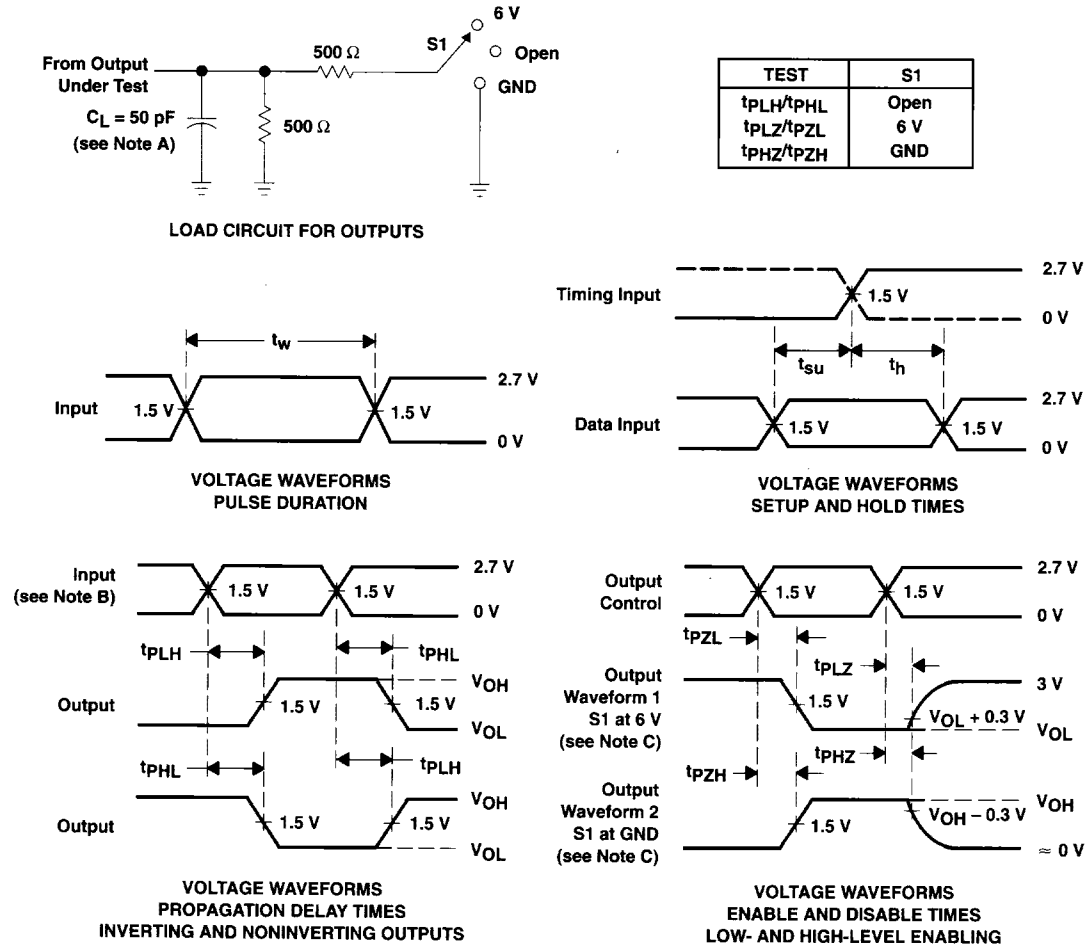
PRODUCT PREVIEW Information concerns products in the formative or design phase of development. Characteristic data and other specifications are design goals. Texas Instruments reserves the right to change or discontinue these products without notice.



SN54LVT240, SN74LVT240
3.3-V ABT OCTAL BUFFERS/DRIVERS
WITH 3-STATE OUTPUTS

SCBS143B – SEPTEMBER 1992 – REVISED JUNE 1993

PARAMETER MEASUREMENT INFORMATION



- NOTES: A. C_L includes probe and jig capacitance.
 B. All input pulses are supplied by generators having the following characteristics: PRR $\leq 10 \text{ MHz}$, $Z_O = 50 \Omega$, $t_r \leq 2.5 \text{ ns}$, $t_f \leq 2.5 \text{ ns}$.
 C. Waveform 1 is for an output with internal conditions such that the output is low except when disabled by the output control. Waveform 2 is for an output with internal conditions such that the output is high except when disabled by the output control.
 D. The outputs are measured one at a time with one transition per measurement.

Figure 1. Load Circuit and Voltage Waveforms

