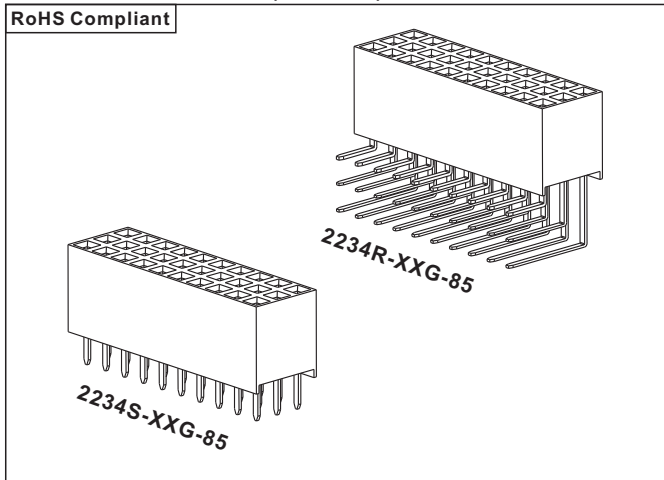




2234S(2234R) Series

2.54mm PCB Socket Triple Rows R/A & Straight Type (H=8.5)



Specifications

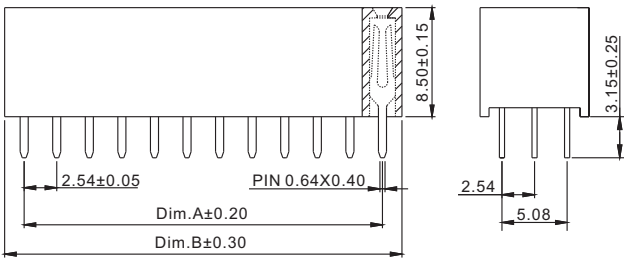
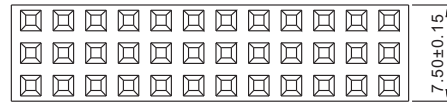
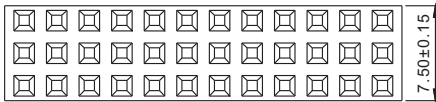
1. Current Rating: 3.0A AC/DC.
2. Voltage Rating: 250V AC/DC.
3. Contact Resistance: 20m ohm. max.
4. Insulation Resistance: 1000M ohm. Min.
5. Withstanding Voltage: 600V AC for one minute.
6. Operating Temperature Range: -40°C to +105°C.

Material and Finish

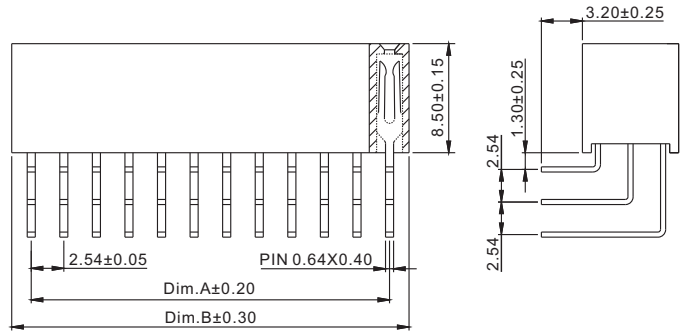
1. Insulator:
Standard: PBT (UL94V-0);
High Temperature Material (UL94V-0).
2. Contact: Phosphor Bronze.
3. Plating: Gold Plated.

Feature

1. Design for Home Appliances, Aviation Electronics, Automobile Electronics and Computer(PC) Peripherals.



P/N: 2234S-XXG-85



P/N: 2234R-XXG-85

Engineering Dimension

Circuits	Dim. A	Dim. B	Circuits	Dim. A	Dim. B	Circuits	Dim. A	Dim. B	Circuits	Dim. A	Dim. B
6	2.54	5.33	36	27.94	30.73	66	53.34	56.13	96	78.74	81.53
9	5.08	7.87	39	30.48	33.27	69	55.88	58.67	99	81.28	84.07
12	7.62	10.41	42	33.02	35.81	72	58.42	61.21	102	83.82	86.61
15	10.16	12.95	45	35.56	38.35	75	60.96	63.75	105	86.36	89.15
18	12.70	15.49	48	38.10	40.89	78	63.50	66.29	108	88.90	91.69
21	15.24	18.03	51	40.64	43.43	81	66.04	68.83	111	91.44	94.23
24	17.78	20.57	54	43.18	45.97	84	68.58	71.37	114	93.98	96.77
27	20.32	23.11	57	45.72	48.51	87	71.12	73.91	117	96.52	99.31
30	22.86	25.65	60	48.26	51.05	90	73.66	76.45	120	99.06	101.85
33	25.40	28.19	63	50.80	53.59	93	76.20	78.99			

Ordering Information

2234S-XXG-85

① ② ③ ④

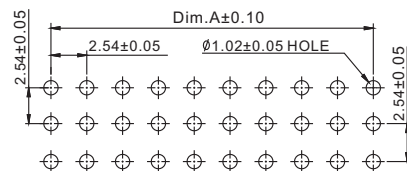
① S: Straight Type Triple Rows	③ G: Gold Plated T: Tin Plated SG: Selective Gold	④ Insulator Height 85=8.50mm
② No. Of Contacts		

2234R-XXG-85

① ② ③ ④

① R: Right Angle Type Triple Rows	③ G: Gold Plated T: Tin Plated SG: Selective Gold	④ Insulator Height 85=8.50mm
② No. Of Contacts		

Recommended PCB Layout



Unit:mm