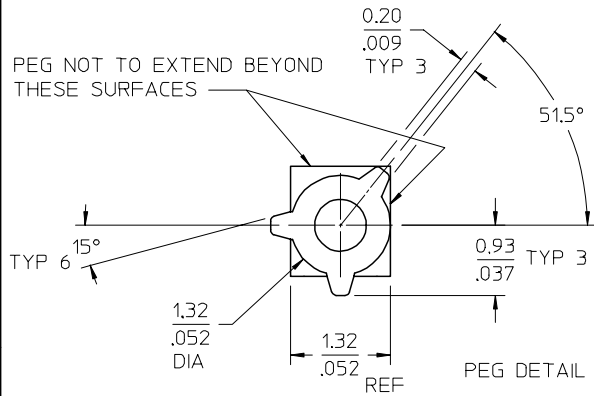


CKTS.	DIM. A	DIM. B
2	3.96±0.05 .156±.002	7.77 .306
3	7.92±0.08 .312±.003	11.73 .462
4	11.89±0.08 .468±.003	15.70 .618
5	15.85±0.10 .624±.004	19.66 .774
6	19.81±0.10 .780±.004	23.62 .930
7	23.77±0.10 .936±.004	27.58 1.086
8	27.74±0.13 1.092±.005	31.55 1.242
9	31.70±0.13 1.248±.005	35.51 1.398
10	35.66±0.13 1.404±.005	39.47 1.554
11	39.62±0.15 1.560±.006	43.43 1.710
12	43.59±0.15 1.716±.006	47.40 1.866
13	47.55±0.15 1.872±.006	51.36 2.022
14	51.51±0.18 2.028±.007	55.32 2.178
15	55.47±0.18 2.184±.007	59.28 2.334
16	59.44±0.18 2.340±.007	63.25 2.490
17	63.40±0.20 2.496±.008	67.21 2.646
18	67.36±0.20 2.652±.008	71.17 2.802

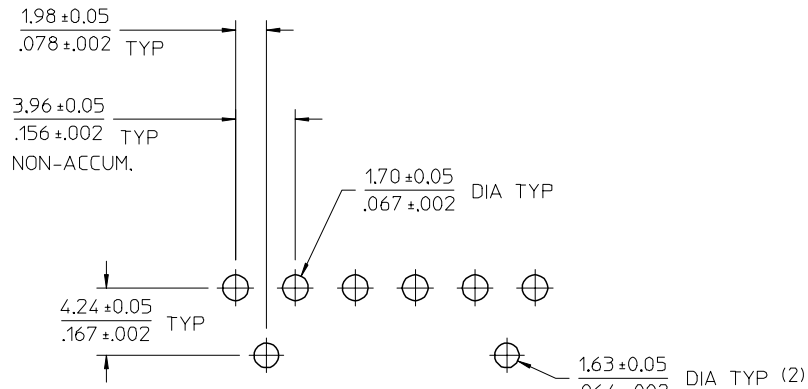
ADD PART NUMBER EC NO: UCP2005-1201 TDRWN: ADRA TNDL2005/01/05 CHK'D: 2005/01/06 APPR: YMARGULI 2005/01/06 REV DESCRIPTION	GENERAL TOLERANCES (UNLESS SPECIFIED)		SCALE 2:1	DESIGN UNITS INCH	THIRD ANGLE PROJECTION	REVISE ON CAD ONLY
		mm	INCH	DIMENSION STYLE MM/IN		TITLE
	4 PLACES	± ---	± ---	DRAWN BY	DATE	KK 156 HEADER ASSEMBLY FRICTION LOCK VERTICAL PEGS
	3 PLACES	± ---	± .010	SCHAFFER	11-14-03	
	2 PLACES	± 0.25	± .015	CHECKED BY	DATE	molex MOLEX INCORPORATED
1 PLACE	± 0.38	± ---	SAMIEC	11-14-03		
ANGULAR ±1/2°		DRAFT WHERE APPLICABLE MUST REMAIN WITHIN DIMENSIONS		APPROVED BY	DATE	MATERIAL NO. DOCUMENT NO. SHEET NO.
				MARGULIS	11-14-03	SEE CHART SD-42491-001 1 OF 7

THIS DRAWING CONTAINS INFORMATION THAT IS PROPRIETARY TO MOLEX INCORPORATED AND SHOULD NOT BE USED WITHOUT WRITTEN PERMISSION



NOTES:

1. MATERIAL: HEADER-POLYESTER, 94V-0, MOLDED NATURAL PINS: BRASS
2. FINISHES: (102) TIN .000200 M.I. MIN. OVER .000100 M.I. MIN. COPPER.  
(208) SELECT GOLD 15 M.I. MIN. SELECT TIN 100 M.I. MIN. OVER NICKEL  
(228) SELECT GOLD 30 M.I. MIN. SELECT TIN 100 M.I. MIN. OVER NICKEL
3. PRODUCT SPECIFICATION: SEE PS-08-50.
4. SOLDERABILITY: WHEN PARTS ARE SOLDERED AT A TEMPERATURE OF 230°C (446°F) FOR 5 SECONDS, EACH SOLDERED SURFACE SHALL BE A MINIMUM OF 95% COVERED.
5. PIN PUSH OUT FORCE: PRIOR TO SOLDERING = 3 LB MINIMUM FORCE (IN EITHER DIRECTION) SHALL BE REQUIRED TO PUSH THE PIN OUT OF THE HEADER.
6. PARTS ARE STACKABLE END TO END ON (3,96)/.156 CENTERS.
7. FOR PART WITHOUT PEGS SEE DWG. NO. SDA-41791.



PCB LAYOUT: COMPONENT SIDE

EC NO: UCP2005-1201 TDRWN: ADRA TNDL2005/01/05 CHK'D: 2005/01/06 APPR: YMARGULI 2005/01/06 DESCRIPTION REV	GENERAL TOLERANCES (UNLESS SPECIFIED)		SCALE 1:1	DESIGN UNITS INCH	THIRD ANGLE PROJECTION	REVISE ON CAD ONLY
		mm	INCH	DIMENSION STYLE MM/IN		TITLE
	4 PLACES	± ---	± ---	DRAWN BY SCHAFFER	DATE 11-14-03	KK 156 HEADER ASSEMBLY FRICTION LOCK VERTICAL PEGS
	3 PLACES	± ---	± .010	CHECKED BY SAMIEC	DATE 11-14-03	
	2 PLACES	± 0.25	± .015	APPROVED BY MARGULIS		DATE 11-14-03
1 PLACE	± 0.38	± ---	MATERIAL NO. SEE CHART		DOCUMENT NO. SD-42491-001	
DRAFT WHERE APPLICABLE MUST REMAIN WITHIN DIMENSIONS			SHEET NO. 2		THIS DRAWING CONTAINS INFORMATION THAT IS PROPRIETARY TO MOLEX INCORPORATED AND SHOULD NOT BE USED WITHOUT WRITTEN PERMISSION	

OPTIONS	Group	A-42491-0002/0018	Group	A-42491-0312/0328	Group	A-42491-0329/0345	Group	
	Header No:	41790-0019/0035	Header No:	41790-0019/0035	Header No:	41790-0019/0035	Header No:	
	Pin No:	2161-94(102)	Pin No:	43294-0209	Pin No:	43294-0210	Pin No:	
	Plating:	102 – TIN	Plating:	208 – 15 GOLD	Plating:	228 – 30 GOLD	Plating:	
	Pin Length L	18.29 / .720	Pin Length L	18.29/. 720	Pin Length L	18.29/. 720	Pin Length L	
	Mating M	11.43 / .450	Mating M	11.43/. 450	Mating M	11.43/. 450	Mating M	
	Gold Loc G	N/A	Gold Loc G	6.86/. 270	Gold Loc G	6.86/. 270	Gold Loc G	
	PC Tail P	3.56 / .140	PC Tail P	3.56/. 140	PC Tail P	3.56/. 140	PC Tail P	
	Tin Loc T	OVERALL	Tin Loc T	4.06/. 160	Tin Loc T	4.06/. 160	Tin Loc T	
	Voided Ckts	NONE	Voided Ckts	NONE	Voided CKts	NONE	Voided Ckts	
Pack Per	PK-42491-001	Pack Per	PK-42491-001	Pack Per	PK-42491-001	Pack Per		
Ckts	Material No	Engineer Number	Material No	Engineer Number	Material No	Engineer Number	Material No	Engineer Number
2	26-64-4020	A-42491-0002	42491-0312	A-42491-0312	42491-0329	A-42491-0329		
3	26-64-4030	A-42491-0003	42491-0313	A-42491-0313	42491-0330	A-42491-0330		
4	26-64-4040	A-42491-0004	42491-0314	A-42491-0314	42491-0331	A-42491-0331		
5	26-64-4050	A-42491-0005	42491-0315	A-42491-0315	42491-0332	A-42491-0332		
6	26-64-4060	A-42491-0006	42491-0316	A-42491-0316	42491-0333	A-42491-0333		
7	26-64-4070	A-42491-0007	42491-0317	A-42491-0317	42491-0334	A-42491-0334		
8	26-64-4080	A-42491-0008	42491-0318	A-42491-0318	42491-0335	A-42491-0335		
9	26-64-4090	A-42491-0009	42491-0319	A-42491-0319	42491-0336	A-42491-0336		
10	26-64-4100	A-42491-0010	42491-0320	A-42491-0320	42491-0337	A-42491-0337		
11	26-64-4110	A-42491-0011	42491-0321	A-42491-0321	42491-0338	A-42491-0338		
12	26-64-4120	A-42491-0012	42491-0322	A-42491-0322	42491-0339	A-42491-0339		
13	26-64-4130	A-42491-0013	42491-0323	A-42491-0323	42491-0340	A-42491-0340		
14	26-64-4140	A-42491-0014	42491-0324	A-42491-0324	42491-0341	A-42491-0341		
15	26-64-4150	A-42491-0015	42491-0325	A-42491-0325	42491-0342	A-42491-0342		
16	26-64-4160	A-42491-0016	42491-0326	A-42491-0326	42491-0343	A-42491-0343		
17	26-64-4170	A-42491-0017	42491-0327	A-42491-0327	42491-0344	A-42491-0344		
18	26-64-4180	A-42491-0018	42491-0328	A-42491-0328	42491-0345	A-42491-0345		

REV: <b>F</b>	SEE SHEET 1 1/6/2005	TITLE: <b>KK 156 HEADER ASSEMBLY FRICTION LOCK VERTICAL SOLID BODY W/ PEGS</b>	SHEET No. <b>- 3 -</b>
DOCUMENT NUMBER: <b>SD- 42491-001</b>	CREATED / REVISED BY: <b>JSCHAFFER</b>	CHECKED BY: <b>SAMIEC</b>	APPROVED BY: <b>MARGULIS</b>

OPTIONS	Group	A-42491-0019/0035	Group	A-42491-0036/0052	Group	A-42491-0059/0074	Group	A-42491-0086-0100
	Header No:	41790-0019/0035	Header No:	41790-0019/0035	Header No:	41790-0020/0035	Header No:	41790-0021/0035
	Pin No:	2161-94(501)	Pin No:	2161-94(102)	Pin No:	2161-94(102)	Pin No:	2161-94(102)
	Plating:	501 - GOLD	Plating:	102 - TIN	Plating:	102 - TIN	Plating:	102 - TIN
	Pin Length L	18.29 / .720	Pin Length L	18.29/. 720	Pin Length L	18.29/. 720	Pin Length L	18.29/. 720
	Mating M	11.43 / .450	Mating M	11.43/. 450	Mating M	11.43/. 450	Mating M	11.43/. 450
	Gold Loc G	OVERALL	Gold Loc G	N/A	Gold Loc G	N/A	Gold Loc G	N/A
	PC Tail P	3.56 / .140	PC Tail P	3.56/. 140	PC Tail P	3.56/. 140	PC Tail P	3.56/. 140
	Tin Loc T	N/A	Tin Loc T	OVERALL	Tin Loc T	OVERALL	Tin Loc T	OVERALL
	Voided Ckts	NONE	Voided Ckts	2	Voided CKts	3	Voided Ckts	2, 4
Pack Per	PK-42491-001	Pack Per	PK-42491-001	Pack Per	PK-42491-001	Pack Per	PK-42491-001	
Ckts	Material No	Engineer Number	Material No	Engineer Number	Material No	Engineer Number	Material No	Engineer Number
2	26-65-4020	A-42491-0019						
3	26-65-4030	A-42491-0020	26-62-4035	A-42491-0037	27-62-4032	A-42491-0059		
4	26-65-4040	A-42491-0021	26-62-4045	A-42491-0038	27-62-4042	A-42491-0060		A-42491-0086
5	26-65-4050	A-42491-0022	26-62-4055	A-42491-0039	27-62-4052	A-42491-0061		A-42491-0087
6	26-65-4060	A-42491-0023	26-62-4065	A-42491-0040	27-62-4062	A-42491-0062	27-60-4061	A-42491-0088
7	26-65-4070	A-42491-0024	26-62-4075	A-42491-0041	27-62-4072	A-42491-0063		A-42491-0089
8	26-65-4080	A-42491-0025	26-62-4085	A-42491-0042	27-62-4082	A-42491-0064		A-42491-0090
9	26-65-4090	A-42491-0026	26-62-4095	A-42491-0043	27-62-4092	A-42491-0065		A-42491-0091
10	26-65-4100	A-42491-0027	26-62-4105	A-42491-0044	27-62-4102	A-42491-0066		A-42491-0092
11	26-65-4110	A-42491-0028	26-62-4115	A-42491-0045	27-62-4112	A-42491-0067		A-42491-0093
12	26-65-4120	A-42491-0029	26-62-4125	A-42491-0046	27-62-4122	A-42491-0068		A-42491-0094
13	26-65-4130	A-42491-0030	26-62-4135	A-42491-0047	27-62-4132	A-42491-0069		A-42491-0095
14	26-65-4140	A-42491-0031	26-62-4145	A-42491-0048	27-62-4142	A-42491-0070		A-42491-0096
15	26-65-4150	A-42491-0032	26-62-4155	A-42491-0049	27-62-4152	A-42491-0071		A-42491-0097
16	26-65-4160	A-42491-0033	26-62-4165	A-42491-0050	27-62-4162	A-42491-0072		A-42491-0098
17	26-65-4170	A-42491-0034	26-62-4175	A-42491-0051	27-62-4172	A-42491-0073		A-42491-0099
18	26-65-4180	A-42491-0035	26-62-4185	A-42491-0052	27-62-4182	A-42491-0074		A-42491-0100

REV:		TITLE:	<b>KK 156 HEADER ASSEMBLY FRICTION LOCK VERTICAL SOLID BODY W/ PEGS</b>		SHEET No.
<b>F</b>	<b>SEE SHEET 1 1/6/2005</b>				<b>- 4 -</b>
DOCUMENT NUMBER:		CREATED / REVISED BY:		CHECKED BY:	
<b>SD- 42491-001</b>		<b>JSCHAFFER</b>		<b>SAMIEC</b>	
				APPROVED BY:	
				<b>MARGULIS</b>	

OPTIONS	Group	A-42491-0172/0188	Group	A-42491-0223/0239	Group	A-42491-0240/0251	Group	A-42491-0252/0265
	Header No:	41790-0019/0035	Header No:	41790-0019/0035	Header No:	41790-0023/0035	Header No:	41790-0022/0035
	Pin No:	2161-36(102)	Pin No:	2161-1(122)	Pin No:	2161-94(102)	Pin No:	2161-94(102)
	Plating:	102 - TIN	Plating:	122 - TIN	Plating:	102 - TIN	Plating:	102 - TIN
	Pin Length L	30.48/ 1.200	Pin Length L	19.05/ .750	Pin Length L	18.29/ .720	Pin Length L	18.29/ .720
	Mating M	13.28/ .523	Mating M	11.43/ .450	Mating M	11.43/ .450	Mating M	11.43/ .450
	Gold Loc G	N/A	Gold Loc G	N/A	Gold Loc G	N/A	Gold Loc G	N/A
	PC Tail P	13.89/ .547	PC Tail P	4.32/ .170	PC Tail P	3.56/ .140	PC Tail P	3.56/ .140
	Tin Loc T	OVERALL	Tin Loc T	OVERALL	Tin Loc T	OVERALL	Tin Loc T	OVERALL
	Voided Ckts	NONE	Voided Ckts	NONE	Voided CKts	7	Voided Ckts	5
Pack Per	PK-42491-003	Pack Per	PK-42491-001	Pack Per	PK-42491-001	Pack Per	PK-42491-001	
Ckts	Material No	Engineer Number	Material No	Engineer Number	Material No	Engineer Number	Material No	Engineer Number
2		A-42491-0172	42491-0223	A-42491-0223				
3		A-42491-0173	42491-0224	A-42491-0224				
4		A-42491-0174	42491-0225	A-42491-0225				
5		A-42491-0175	42491-0226	A-42491-0226			42491-0252	A-42491-0252
6	26-64-4061	A-42491-0176	42491-0227	A-42491-0227			27-62-4068	A-42491-0253
7		A-42491-0177	42491-0228	A-42491-0228	42491-0240	A-42491-0240	42491-0254	A-42491-0254
8		A-42491-0178	42491-0229	A-42491-0229	27-62-4087	A-42491-0241	42491-0255	A-42491-0255
9		A-42491-0179	42491-0230	A-42491-0230	42491-0242	A-42491-0242	42491-0256	A-42491-0256
10		A-42491-0180	42491-0231	A-42491-0231	42491-0243	A-42491-0243	42491-0257	A-42491-0257
11		A-42491-0181	42491-0232	A-42491-0232	42491-0244	A-42491-0244	42491-0258	A-42491-0258
12		A-42491-0182	42491-0233	A-42491-0233	42491-0245	A-42491-0245	42491-0259	A-42491-0259
13		A-42491-0183	42491-0234	A-42491-0234	42491-0246	A-42491-0246	42491-0260	A-42491-0260
14		A-42491-0184	42491-0235	A-42491-0235	42491-0247	A-42491-0247	42491-0261	A-42491-0261
15		A-42491-0185	42491-0236	A-42491-0236	42491-0248	A-42491-0248	42491-0262	A-42491-0262
16		A-42491-0186	42491-0237	A-42491-0237	42491-0249	A-42491-0249	42491-0263	A-42491-0263
17		A-42491-0187	42491-0238	A-42491-0238	42491-0250	A-42491-0250	42491-0264	A-42491-0264
18		A-42491-0188	42491-0239	A-42491-0239	42491-0251	A-42491-0251	42491-0265	A-42491-0265

REV: <b>F</b>	SEE SHEET 1 1/6/2005	TITLE: <b>KK 156 HEADER ASSEMBLY FRICTION LOCK VERTICAL SOLID BODY W/ PEGS</b>	SHEET No. <b>- 5 -</b>
DOCUMENT NUMBER: <b>SD- 42491-001</b>	CREATED / REVISED BY: <b>JSCHAFFER</b>	CHECKED BY: <b>SAMIEC</b>	APPROVED BY: <b>MARGULIS</b>

OPTIONS	Group	A-42491-0266/0275	Group	A-42491-0276/0286	Group	A-42491-0287/0299	Group	A-42491-0300/0311
	Header No:	41790-0026/0035	Header No:	41790-0025/0035	Header No:	41790-0024/0035	Header No:	41790-0025/0035
	Pin No:	2161-94(102)	Pin No:	2161-94(102)	Pin No:	2161-94(102)	Pin No:	2161-94(102)
	Plating:	102 - TIN	Plating:	102 - TIN	Plating:	102 - TIN	Plating:	102 - TIN
	Pin Length L	18.29/ .720	Pin Length L	18.29/ .720	Pin Length L	18.29/ .720	Pin Length L	18.29/ .720
	Mating M	11.43 / .450	Mating M	11.43/ .450	Mating M	11.43/ .450	Mating M	11.43/ .450
	Gold Loc G	N/A	Gold Loc G	N/A	Gold Loc G	N/A	Gold Loc G	N/A
	PC Tail P	13.89/ .547	PC Tail P	3.56/ .140	PC Tail P	3.56/ .140	PC Tail P	3.56/ .140
	Tin Loc T	OVERALL	Tin Loc T	OVERALL	Tin Loc T	OVERALL	Tin Loc T	OVERALL
	Voided Ckts	3, 5, 6, 8, 9	Voided Ckts	2, 3, 5, 6, 8	Voided CKts	3, 6	Voided Ckts	2, 5, 7
Pack Per	PK-42491-001	Pack Per	PK-42491-001	Pack Per	PK-42491-001	Pack Per		
Ckts	Material No	Engineer Number	Material No	Engineer Number	Material No	Engineer Number	Material No	Engineer Number
2								
3								
4								
5								
6								
7								
8			42491-0276	A-42491-0276	42491-0287	A-42491-0287		
9	42491-0266	A-42491-0266	42491-0277	A-42491-0277	42491-0288	A-42491-0288	42491-0300	A-42491-0300
10	27-66-4104	A-42491-0267	27-66-4105	A-42491-0278	42491-0289	A-42491-0289	42491-0301	A-42491-0301
11	42491-0268	A-42491-0268	42491-0279	A-42491-0279	42491-0290	A-42491-0290	42491-0302	A-42491-0302
12	42491-0269	A-42491-0269	42491-0280	A-42491-0280	42491-0291	A-42491-0291	42491-0303	A-42491-0303
13	42491-0270	A-42491-0270	42491-0281	A-42491-0281	42491-0292	A-42491-0292	42491-0304	A-42491-0304
14	42491-0271	A-42491-0271	42491-0282	A-42491-0282	42491-0293	A-42491-0293	42491-0305	A-42491-0305
15	42491-0272	A-42491-0272	42491-0283	A-42491-0283	42491-0294	A-42491-0294	42491-0306	A-42491-0306
16	42491-0273	A-42491-0273	42491-0284	A-42491-0284	42491-0295	A-42491-0295	42491-0307	A-42491-0307
17	42491-0274	A-42491-0274	42491-0285	A-42491-0285	42491-0296	A-42491-0296	42491-0308	A-42491-0308
18	42491-0275	A-42491-0275	42491-0286	A-42491-0286	42491-0297	A-42491-0297	42491-0309	A-42491-0309
					42491-0298	A-42491-0298	42491-0310	A-42491-0310
					42491-0299	A-42491-0299	42491-0311	A-42491-0311

REV: <b>F</b>	SEE SHEET 1 1/6/2005	TITLE: <b>KK 156 HEADER ASSEMBLY FRICTION LOCK VERTICAL SOLID BODY W/ PEGS</b>	SHEET No. <b>- 6 -</b>
DOCUMENT NUMBER: <b>SD- 42491-001</b>	CREATED / REVISED BY: <b>JSCHAFFER</b>	CHECKED BY: <b>SAMIEC</b>	APPROVED BY: <b>MARGULIS</b>

