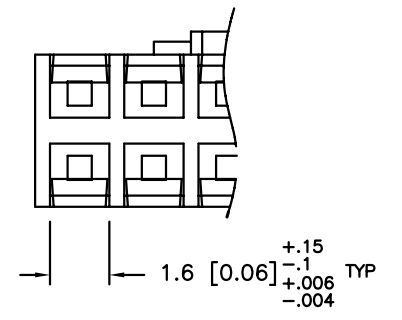
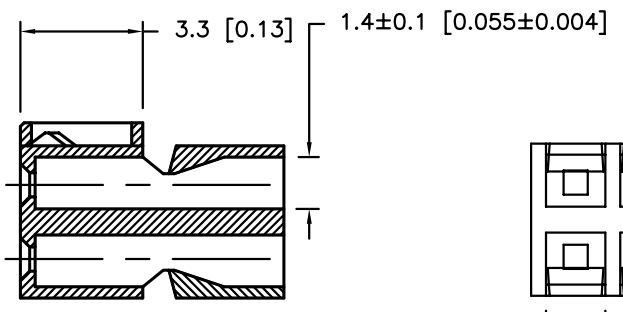
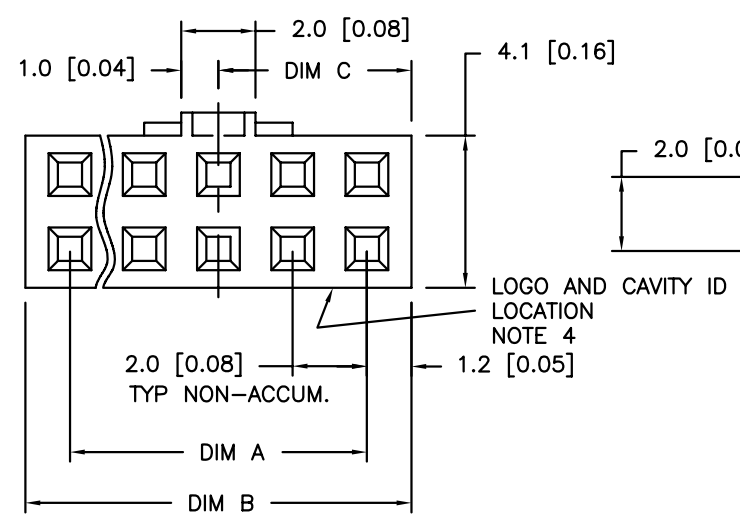
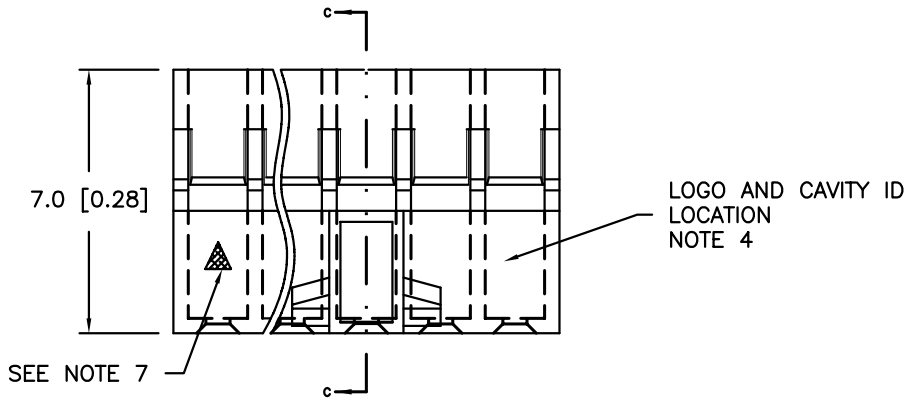


PRODUCT NUMBER
SEE TABLE



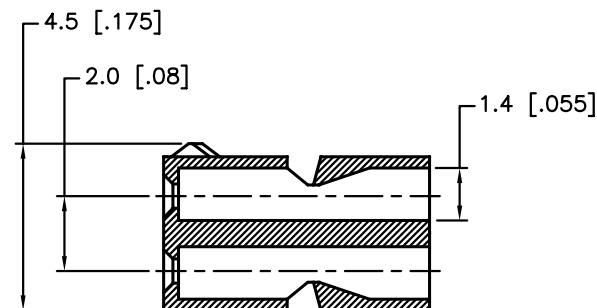
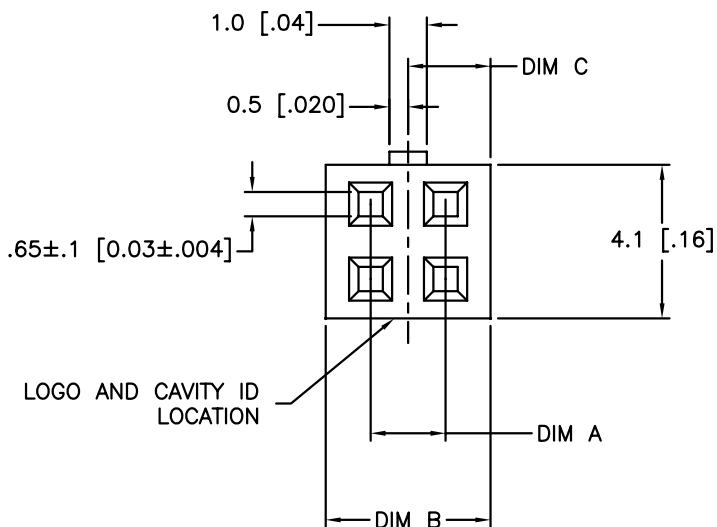
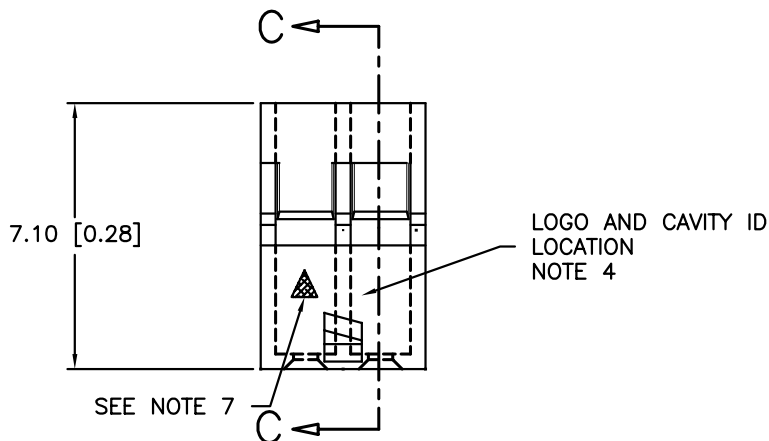
mat'l. code SEE NOTE 1				surface <input checked="" type="checkbox"/> tolerance		projection		product family MINITEK HOUSINGS	
ltr	ecn no	dr	date	tolerances unless otherwise specified		MM/INCH		title	
A	v06-0291	HTB	4/21/06	angles	linear	.X±.3/.XX±.01 .00±.13/.000±.005 .000±.051/.000±.0020		MINITEK CTW HSG., DBL ROW POLARIZATION & LATCHING	
				0°±2°		scale 5:1		sheet 1 of 3 size	
				dr	T. BREWBAKER	4/21/06		FCJ	
				enrg	T. BREWBAKER	4/21/06		10068573	
				chr	T. BREWBAKER	4/21/06		A3	
				app	T. BREWBAKER	4/21/06		type Product Customer Drawing	
sheet	revision	A	A	A					
index	sheet	1	2	3					



Copyright FCJ

PRODUCT NUMBER
10068573-004LF

SEE NOTE 2



FCJconnect.com

Copyright FCJ

mat'l. code SEE NOTE 1				surface <input checked="" type="checkbox"/> tolerance		projection		product family MINITEK HOUSINGS	
ltr	ecn no	dr	date	tolerances unless otherwise specified		MM/INCH		title	
A				angles	linear	.X±.3/.XX±.01 .00±.13/.000±.005 .000±.051/.000±.020		MINITEK CTW HSG., DBL ROW POLARIZATION & LATCHING	
				0°±2°		scale 5:1		sheet 2 of 3 size	
				dr	T. BREWBAKER	4/21/06		dwg no	
				engr	T. BREWBAKER	4/21/06		10068573	
				chr	T. BREWBAKER	4/21/06		A3	
				appd	T. BREWBAKER	4/21/06		type Product Customer Drawing	
sheet	revision								
index	sheet								

PRODUCT NUMBER	POS.	DIM A	DIM B	DIM C	LATCHING FEATURES
10068573-004LF	2 x 2	2.0/.08	4.4/.17	2.2/.09	1 (SHEET 2)
10068573-006LF	2 x 3	4.0/.16	6.4/.25	3.2/.13	2 (SHEET 1)
10068573-008LF	2 x 4	6.0/.24	8.4/.33	4.2/.17	2 (SHEET 1)
10068573-010LF	2 x 5	8.0/.32	10.4/.41	5.2/.21	2 (SHEET 1)
10068573-012LF	2 x 6	10.0/.39	12.4/.49	6.2/.24	2 (SHEET 1)
10068573-014LF	2 x 7	12.0/.47	14.4/.57	7.2/.28	2 (SHEET 1)
10068573-016LF	2 x 8	14.0/.55	16.4/.65	8.2/.32	2 (SHEET 1)
10068573-018LF	2 x 9	16.0/.63	18.4/.72	9.2/.36	2 (SHEET 1)
10068573-020LF	2 x 10	18.0/.71	20.4/.80	10.2/.40	2 (SHEET 1)
10068573-022LF	2 x 11	20.0/.79	22.4/.88	11.2/.44	2 (SHEET 1)
10068573-024LF	2 x 12	22.0/.87	24.4/.96	12.2/.48	2 (SHEET 1)
10068573-026LF	2 x 13	24.0/.95	26.4/1.04	13.2/.52	2 (SHEET 1)
10068573-028LF	2 x 14	26.0/1.02	28.4/1.12	14.2/.56	2 (SHEET 1)
10068573-030LF	2 x 15	28.0/1.10	30.4/1.20	15.2/.60	2 (SHEET 1)
10068573-032LF	2 x 16	30.0/1.18	32.4/1.28	16.2/.64	2 (SHEET 1)
10068573-034LF	2 x 17	32.0/1.26	34.4/1.35	17.2/.68	2 (SHEET 1)
10068573-036LF	2 x 18	34.0/1.34	36.4/1.43	18.2/.72	2 (SHEET 1)
10068573-038LF	2 x 19	36.0/1.42	38.4/1.51	19.2/.76	2 (SHEET 1)
10068573-040LF	2 x 20	38.0/1.50	40.4/1.59	20.2/.80	2 (SHEET 1)
10068573-042LF	2 x 21	40.0/1.58	42.4/1.67	21.2/.83	2 (SHEET 1)
10068573-044LF	2 x 22	42.0/1.65	44.4/1.75	22.2/.87	2 (SHEET 1)
10068573-046LF	2 x 23	44.0/1.73	46.4/1.83	23.2/.91	2 (SHEET 1)
10068573-048LF	2 x 24	46.0/1.81	48.4/1.91	24.2/.95	2 (SHEET 1)
10068573-050LF	2 x 25	48.0/1.89	50.4/1.98	25.2/.99	2 (SHEET 1)

NOTE

- ① MATERIAL : NYLON 6 UL94V-0
COLOR : BLACK
- ② SHEET 2 SHOWS THE SINGULAR LATCHING FEATURE CONFINED TO THE 2 X 2.
3. FOR USE WITH MINITEK LATCHING HEADERS WHEN MATING AND UNMATING THE FORCES WILL BE APPROX. 2.2LBS/1Kg GREATER THAN THE FORCES DETAILED IN 110-036, PAR. 3.5.3.5
- ④ LOGO AND CAVITY ID LOCATION ARE TO BE DETERMINED BY MANUFACTURER.
5. PRODUCT MEETS EUROPEAN UNION DIRECTIVES AND OTHER COUNTRY REGULATIONS AS DESCRIBED IN GS-22-008.
6. THE PRODUCT IS NOT INTENDED TO BE EXPOSED TO MANUFACTURING SOLDER PROCESSES.
- ⑦ THE TRIANGLE POSITION INDICATOR REPRESENTS THE CORRESPONDING NUMBER ONE POSITION RELATIVE TO MATING HEADERS.



FCJconnect.com

Copyright FCJ

mat'l. code SEE NOTE 1		surface ✓	tolerance	projection 	product family MINITEK HOUSINGS
ltr	ecr no	dr	date	tolerances unless otherwise specified .X±.3/.XX±.01 linear .00±.13/.000±.005 0°±2" .000±.001/.000±.0020	title MINITEK CTW HSG., DBL ROW POLARIZATION & LATCHING
A				MM/INCH scale 5:1	dwg no 10068573
				dr T. BREWBAKER 4/21/06	sheet 3 of 3 size A3
				engr T. BREWBAKER 4/21/06	type Product Customer Drawing
				chr T. BREWBAKER 4/21/06	
				appd T. BREWBAKER 4/21/06	
sheet index	revision				