

TYPES SN5450, SN54H50, SN7450, SN74H50 DUAL 2-WIDE 2-INPUT AND-OR-INVERT GATES (ONE GATE EXPANDABLE)

REVISED DECEMBER 1983

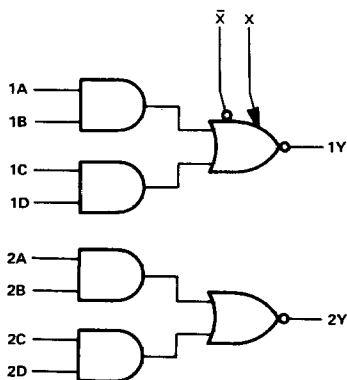
- Package Options Include Plastic and Ceramic DIPs
- Dependable Texas Instruments Quality and Reliability

description

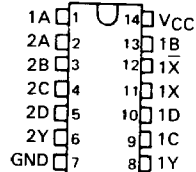
These devices contain two independent 2-wide 2-input AND-OR-INVERT gates with one gate expandable. They perform the Boolean function $Y = \overline{AB} + CD + \overline{X}$ with X = output of SN5460/SN7460 for the SN5450/SN7450 and X = output of SN54H60/SN74H60 or SN54H62/SH74H62 for the SN54H50/SH74H50.

The SN5450 and SN54H50 are characterized for operation over the full military temperature range of -55°C to 125°C . The SN7450 and SN74H50 are characterized for operation from 0°C to 70°C .

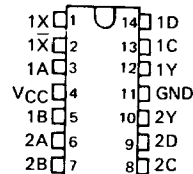
logic diagram



SN5450, SN54H50 . . . J PACKAGE
SN7450, SN74H50 . . . J OR N PACKAGE
(TOP VIEW)



SN5450, SN54H50 . . . W PACKAGE
(TOP VIEW)



3

TTL DEVICES

PRODUCTION DATA

This document contains information current as of publication date. Products conform to specifications per the terms of Texas Instruments standard warranty. Production processing does not necessarily include testing of all parameters.

3-208

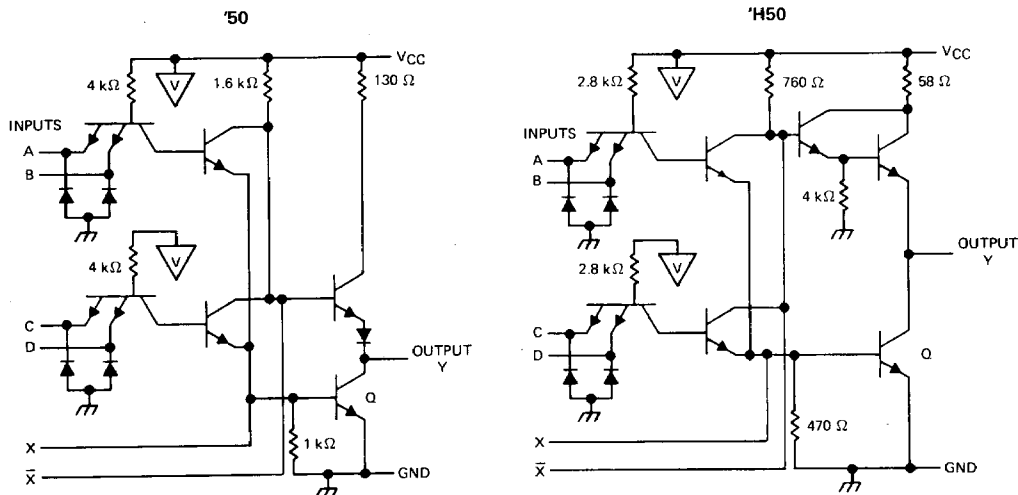
TEXAS
INSTRUMENTS

POST OFFICE BOX 225012 • DALLAS, TEXAS 75265

TYPES SN5450, SN54H50, SN7450, SN74H50

DUAL 2-WIDE 2-INPUT AND-OR-INVERT GATES (ONE GATE EXPANDABLE)

schematic



Resistor values shown are nominal.
If expander is not used, leave X and \bar{X} open.

absolute maximum ratings over operating free-air temperature range (unless otherwise noted)

Supply voltage, V_{CC} (see Note 1)	7 V
Input voltage	5.5 V
Operating free-air temperature range: SN54'	-55°C to 125°C
SN74'	0°C to 70°C
Storage temperature range	-65°C to 150°C

NOTE 1: Voltage values are with respect to network ground terminal.

3

TTL DEVICES

TYPES SN5450, SN7450 DUAL 2-WIDE 2-INPUT AND-OR-INVERT GATES (ONE GATE EXPANDABLE)

recommended operating conditions

	SN5450			SN7450			UNIT
	MIN	NOM	MAX	MIN	NOM	MAX	
V _{CC} Supply voltage	4.5	5	5.5	4.75	5	5.25	V
V _{IH} High-level input voltage	2			2			V
V _{IL} Low-level input voltage							V
I _{OH} High-level output current	0.8			0.8			V
I _{OL} Low-level output current	-0.4			-0.4			mA
I _{OL} Low-level output current	16			16			mA
T _A Operating free-air temperature	-55 125			0 70			°C

electrical characteristics over recommended operating free-air temperature range (unless otherwise noted)

PARAMETER	TEST CONDITIONS†	SN5450			SN7450			UNIT
		MIN	TYP‡	MAX	MIN	TYP‡	MAX	
V _{IK}	V _{CC} = MIN, I _I = -12 mA	-1.5			-1.5			V
V _{OH}	V _{CC} = MIN, V _{IL} = 0.8 V, I _{OH} = -0.4 mA	2.4	3.4		2.4	3.4	V	
V _{OL}	V _{CC} = MIN, V _{IH} = 2 V, I _{OL} = 16 mA	0.2 0.4		0.2 0.4			V	
I _I	V _{CC} = MAX, V _I = 5.5 V	1			1			mA
I _{IH}	V _{CC} = MAX, V _{IH} = 2.4 V	40			40			μA
I _{IL}	V _{CC} = MAX, V _{IL} = 0.4 V	-1.6			-1.6			mA
I _{OS§}	V _{CC} = MAX	-20	-55		-18	-55	mA	
I _{CCH}	V _{CC} = MAX, V _I = 0 V	4 8		4 8			mA	
I _{CCL}	V _{CC} = MAX, See Note 2	7.4 14		7.4 14			mA	
I _X ▲	V _X = 0.4 V, I _{OL} = 16 mA	-2.9		-3.1			mA	
V _{BE(O)▲}	I _X + I _X = 0.41 mA, R _X = 0, I _{OL} = 16 mA	1.1						V
	I _X + I _X = 0.62 mA, R _X = 0, I _{OL} = 16 mA	1						V
V _{OH} ▲	I _X = 0.15 mA, I _X = -0.15 mA, I _{OH} = -0.4 mA	2.4 3.4					V	
	I _X = 0.27 mA, I _X = -0.27 mA, I _{OH} = -0.4 mA			2.4 3.4			V	
V _{OL} ▲	I _X + I _X = 0.3 mA, R _X = 138 Ω, I _{OL} = 16 mA	0.2 0.4					V	
	I _X + I _X = 0.43 mA, R _X = 130 Ω, I _{OL} = 16 mA			0.2 0.4			V	

† For conditions shown as MIN or MAX, use the appropriate value specified under recommended operating conditions.

‡ All typical values are at V_{CC} = 5 V, T_A = 25°C.

§ Not more than one output should be shorted at a time.

▲ Using expander inputs, V_{CC} = MIN, T_A = MIN, except typical values.

NOTE 2: All inputs of one AND gate at 4.5 V, all others at GND.

switching characteristics, V_{CC} = 5 V, T_A = 25°C (see note 3)

PARAMETER	FROM (INPUT)	TO (OUTPUT)	TEST CONDITIONS	MIN	TYP	MAX	UNIT
t _{PLH}	Any	Y	R _L = 400 Ω, Expander pins open C _L = 15 pF	13 22			ns
t _{PHL}				8 15			ns

NOTE 3: See General Information Section for load circuits and voltage waveforms.

3

TTL DEVICES

TYPES SN54H50, SN74H50

DUAL 2-WIDE 2-INPUT AND-OR-INVERT GATES (ONE GATE EXPANDABLE)

recommended operating conditions

	SN54H50			SN74H50			UNIT
	MIN	NOM	MAX	MIN	NOM	MAX	
V _{CC} Supply voltage	4.5	5	5.5	4.75	5	5.25	V
V _{IH} High-level input voltage	2			2			V
V _{IL} Low-level input voltage			0.8			0.8	V
I _{OH} High-level output current			-0.5			-0.5	mA
I _{OL} Low-level output current			20			20	mA
T _A Operating free-air temperature	-55		125	0		70	°C

electrical characteristics over recommended operating free-air temperature range (unless otherwise noted)

PARAMETER	TEST CONDITIONS†			SN54H50			SN74H50			UNIT
				MIN	TYP‡	MAX	MIN	TYP‡	MAX	
V _{IK}	V _{CC} = MIN,	I _I = -8 mA				-1.5			-1.5	V
V _{OH}	V _{CC} = MIN,	V _{IL} = 0.8 V,	I _{OH} = -0.5 mA	2.4	3.4		2.4	3.4		V
V _{OL}	V _{CC} = MIN,	V _{IH} = 2 V,	I _{OL} = 20 mA		0.2	0.4		0.2	0.4	V
I _I	V _{CC} = MAX,	V _I = 5.5 V				1			1	mA
I _{IH}	V _{CC} = MAX,	V _{IH} = 2.4 V				50			50	μA
I _{IL}	V _{CC} = MAX,	V _{IL} = 0.4 V				-2			-2	mA
I _{OS} §	V _{CC} = MAX			-40		-100	-40		-100	mA
I _{CCH}	V _{CC} = MAX,	V _I = 0 V		8.2	12.8		8.2	12.8		mA
I _{CCL}	V _{CC} = MAX,	See Note 2		15.2	24		15.2	24		mA
I _X ▲	V _X = 1.4 V,	I _X = 0,	I _{OL} = 0			-5.85			-6.3	mA
V _{BE(O)} ▲	I _X + I _X = 0.7 mA,	R _X X = 0,	I _{OL} = 20 mA			1.1				V
	I _X + I _X = 1.1 mA,	R _X X = 0,	I _{OL} = 20 mA						1	V
V _{OH} ▲	I _X = 0.32 mA,	I _X = -0.32 mA,	I _{OH} = -0.5 mA	2.4	3.4					V
	I _X = 0.57 mA,	I _X = -0.57 mA,	I _{OH} = -0.5 mA				2.4	3.4		V
V _{OL} ▲	I _X + I _X = 0.47 mA,	R _X X = 68 Ω,	I _{OL} = 20 mA		0.2	0.4				V
	I _X + I _X = 0.6 mA,	R _X X = 63 Ω,	I _{OL} = 20 mA				0.2	0.4		V

† For conditions shown as MIN or MAX, use the appropriate value specified under recommended operating conditions.

‡ All typical values are at V_{CC} = 5 V, T_A = 25°C.

§ Not more than one output should be shorted at a time, and duration of the short circuit should not exceed one second.

▲ Using expander inputs, V_{CC} = MIN, T_A = MIN, except typical values.

NOTE 2: All inputs of one AND gate at 4.5 V, all others at GND.

switching characteristics, V_{CC} = 5 V, T_A = 25°C (see note 3)

PARAMETER	FROM (INPUT)	TO (OUTPUT)	TEST CONDITIONS	MIN	TYP	MAX	UNIT	
t _{PLH}	Any	Y	R _L = 280 Ω,		6.8	11	ns	
t _{PHL}			Expander pins open	C _L = 25 pF		6.2	11	ns
t _{PLH}			R _L = 280 Ω,	C _L = 25 pF,		11		ns
t _{PHL}			Ground to X	C = 15 pF		7.4		ns

NOTE 3: See General Information Section for load circuits and voltage waveforms.

3
TTL DEVICES