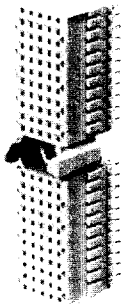


### Vertical Female Connectors, 5 Row, Types A, B and C



#### Vertical Female Connectors

Types A, B and C mate with respective right angle and vertical male connectors shown on pages 3025 and 3034.

Type A has 110 contacts and center keying and guiding. Type B has 125 contacts and Type C has 55 contacts with guiding feature. All are stackable without change in contact pitch according to the chart on page 3024.

Limited other contact patterns are available; see page 3039.

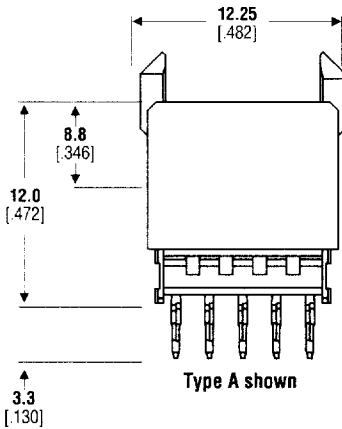
**Electrical Characteristics** — page 3024.

#### Materials and Finish:

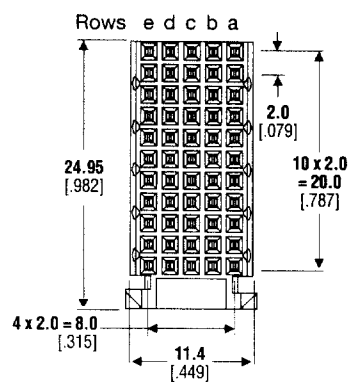
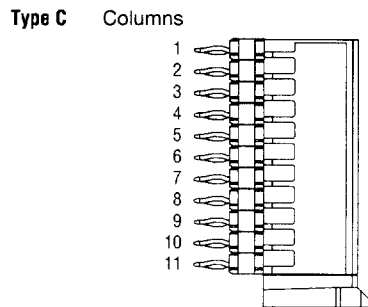
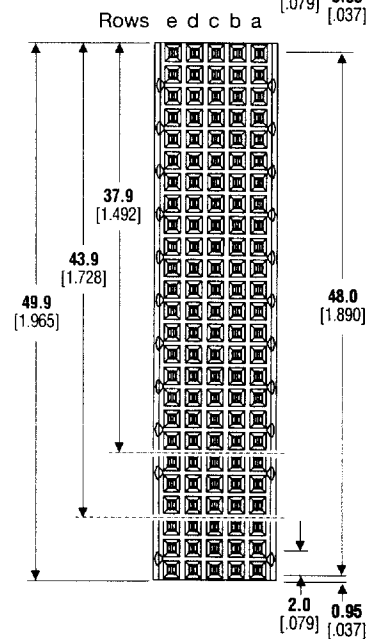
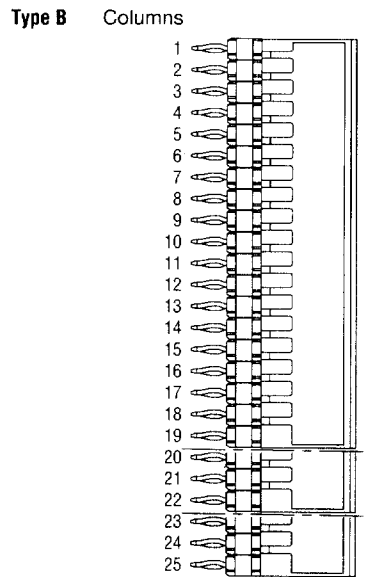
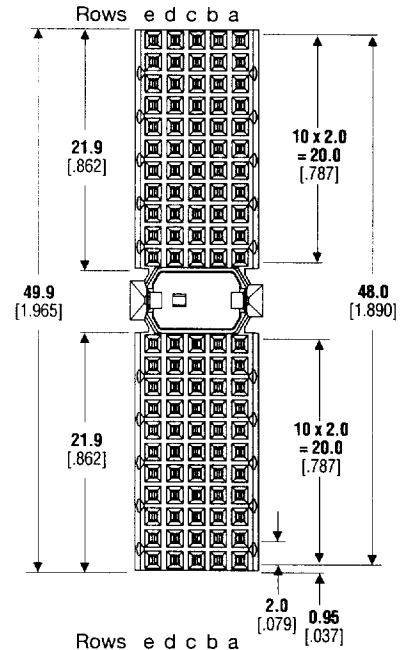
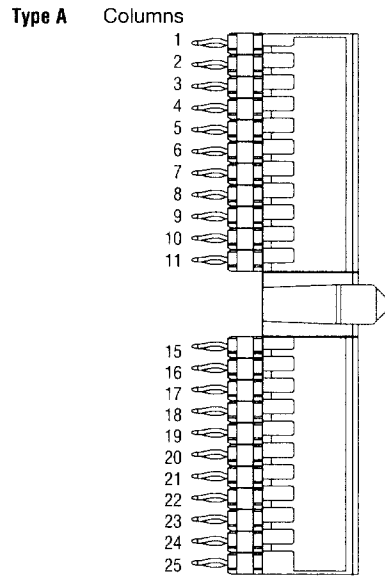
Glass filled polyester housing.  
Phosphor-bronze signal contacts  
Contact area 0.8µm Au over 1.3µm Ni  
ACTION PIN contact 0.5µm Sn/Pb over 1.3 µm Ni.

**Coding keys for type A page 3039.**

**Tooling** — page 3046.



Type	Part Numbers
Type A (without locating peg)	106773-1
Type A (with locating peg)	352457-1
Type B	106774-1
Type B 22 col	352268-1
Type B 19 col	352269-1
Type C	106775-1



For complete product information, order Catalog 65911